

BEAMZ

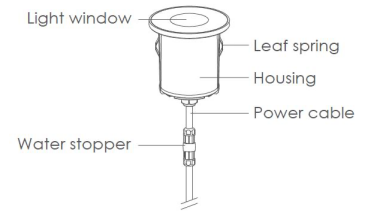


Data Sheet:

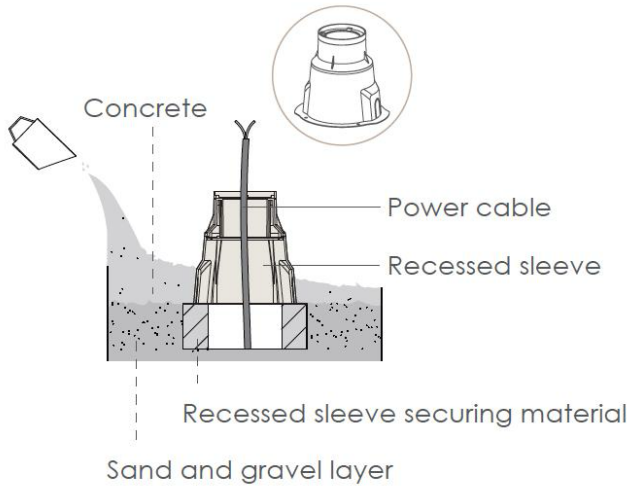
Input Voltage (V): 110-277

IK 06

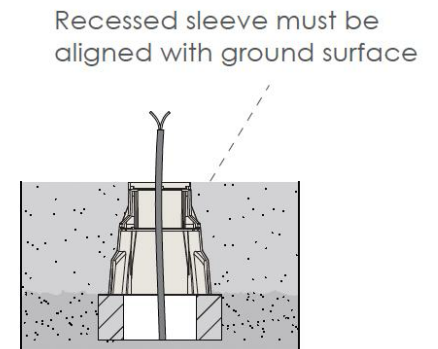
Installation steps



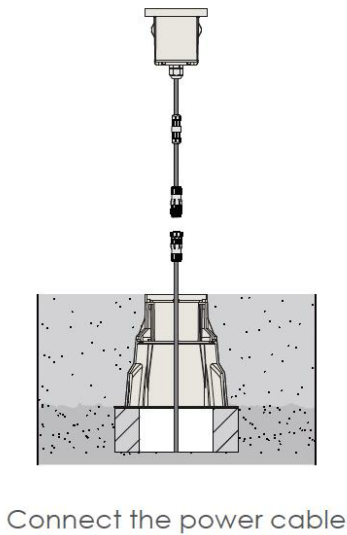
Step 1



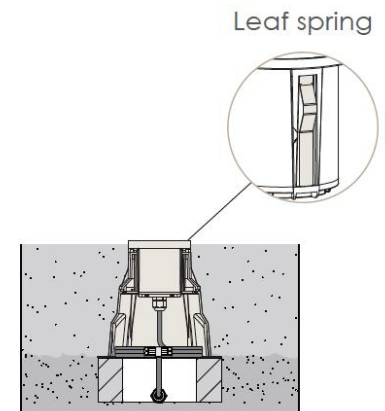
Step 2



Step 3



Step 4



P.2

sales@gordonbullard.com
www.bullardbollards.com
 1 877-964-4646

991 South Gull Lake Dr.
 Richland, MI 49083
 USA

