

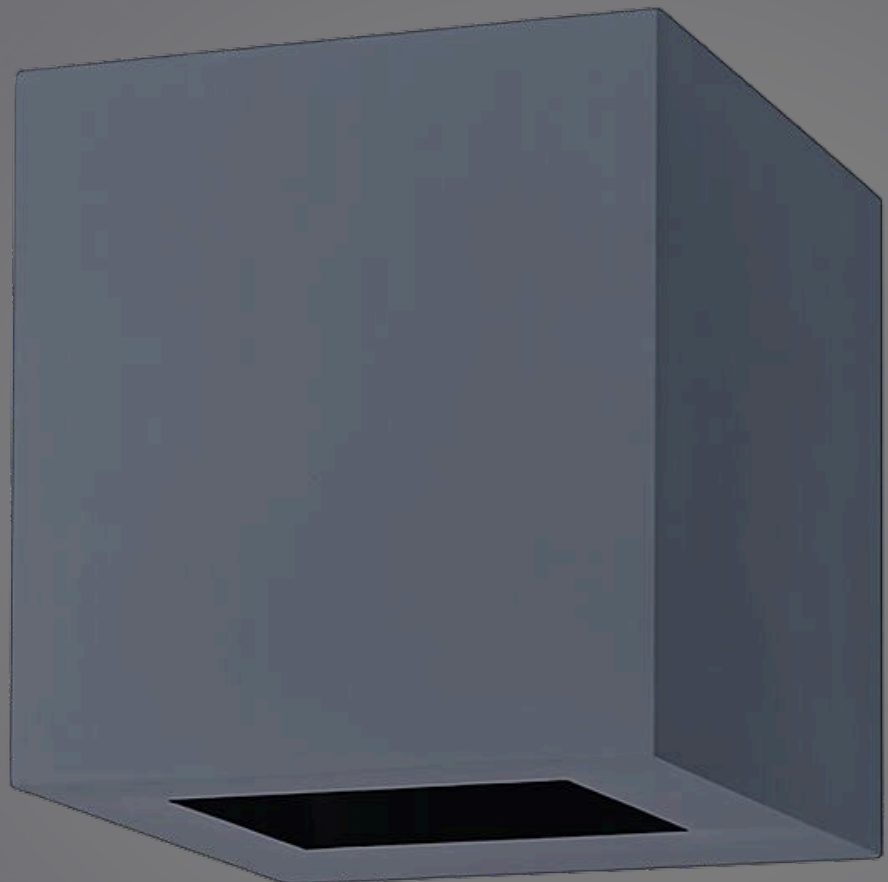


**BULLARD
BOLLARDS**
Think Bollard Think Bullard

INSTALLATION INSTRUCTION

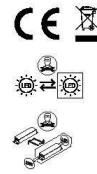
MATT Y

INSTALLATION TYPE:
SURFACE MOUNTED
WALL LUMINAIRES



| | | |
|----|-----------------------------------|---|
| | MATT Y 1096D | All technical specs can be found in the internal technical label. The article contains a light source of class F. |
| | LED 4W | |
| CL | | |
| | DC 110-277V AC 110-277Vac 50/60Hz | |
| IP | IP65 | |
| Lb | 4.41 | |

025.691 0125 Rev.1



Tools:

- x2
- x2
- x2
- x2
- x1

Warnings:

- Do not stress the cable by pulling.
- IP code of the connection must be equal or higher than the article's.
- For the installation qualified personnel may be required.
- Do not make any changes to the article in any way.
- The cable can be substituted only by the manufacturer.
- In the event that the manufacturer accept the return of the article to verify its operation the article must not be disassembled.

Switch:

OFF

1

2

3a

VERSION 110-277Vdc

Remote driver

CONSTANT VOLTAGE DRIVER 110-277V

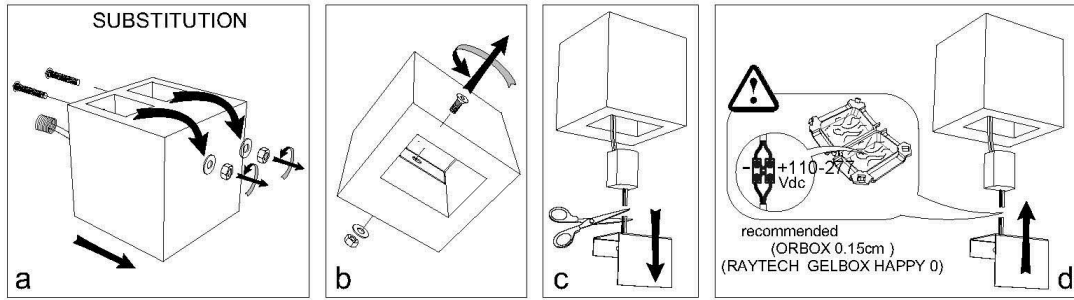
3b

VERSION 110-277Vac

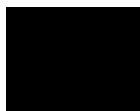
recommended (FORBOX 0.15cm) (RAYTECH GELBOX HAPPY 0)

4





sales@gordonbullard.com
www.bullardbollards.com
 1 877-964-4646



991 South Gull Lake Dr.
 Richland, MI 49083
 USA

IMPORTANT

- To ensure equipment safety you must carefully follow the instructions below. This leaflet must be kept handy by personnel entrusted with all ordinary and extraordinary maintenance.
- Before any installation or maintenance operation on the bulb, make sure it is disconnected from power.
- Fit the correct bulbs, according to the type and power indicated on the lamp data label.
- Make sure the lamp technical features are compatible with the use you are going to make of it.
- Should you have any doubt, refer to the dealer or ask an electrician.
- When connecting to the mains, follow the correct colour code for power cables: (N) blue, (L) brown or black and, only for class I equipment, (T) yellow/green.
- When lamps are to be fitted to the wall directly through their ceramic parts, fasten the fixing screws lightly, to avoid breaking the ceramic.
- To clean the lamp on the outside, use a soft cloth, possibly wet. Do not use solvents or abrasive products. No liquid must get in contact with the lamp interior parts.
- Do not touch the equipment with dirty hands.



= Class I equipment, must be connected to an earth terminal.



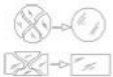
= Double insulated lamp, does not need earthing.



= Electrical equipment in class III, electrical safety guaranteed by low voltage tension, does not require grounding



= Minimum distance to be observed from all lit up objects.



= Replace immediately the safety glass, if damaged, with the original part.



= The lamp uses low pressure bulbs, and needs no protection glass.

