



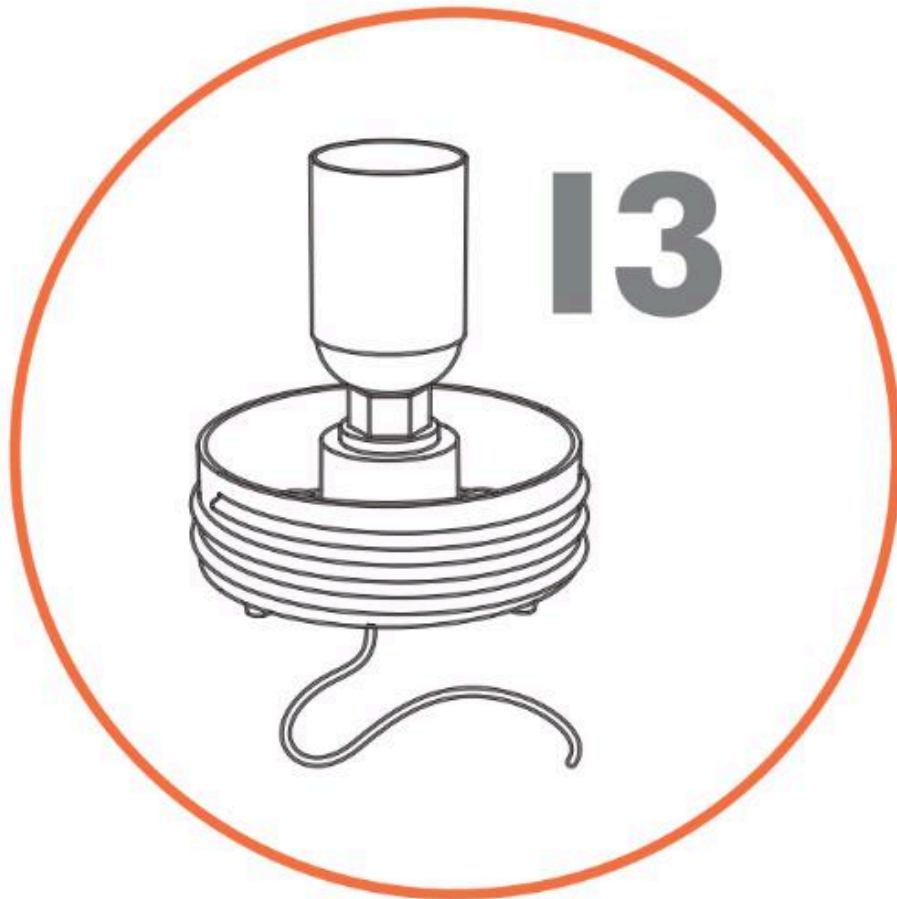
**BULLARD  
BOLLARDS**  
Think Bollard Think Bullard



# ILLUMINATED FURNITURE

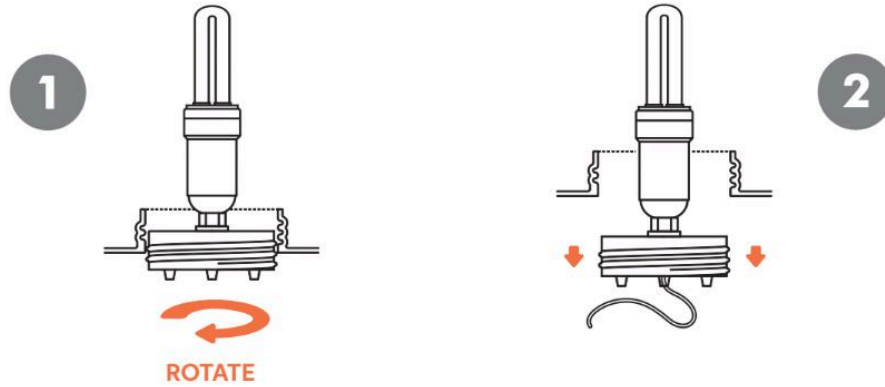
INSTALLATION TYPE:  
SURFACE-MOUNT



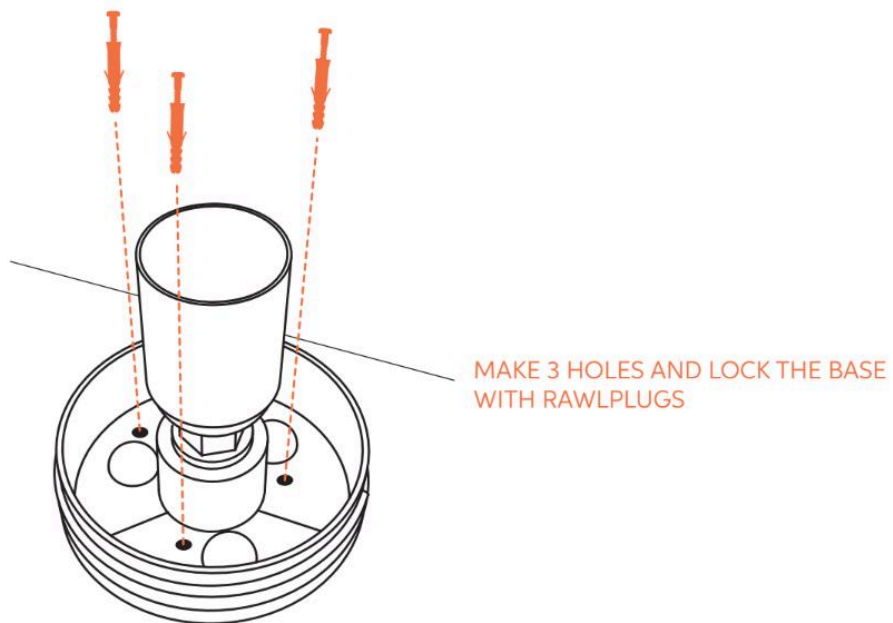


**I3**  
BASE MODEL

**BULB REPLACEMENT**



**SYSTEM FOR FLOOR/WALL MOUNTING**





## CANDY LIGHT

### BLUETOOTH RGBW LED MODULE



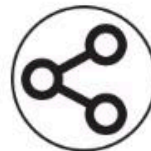
BLUETOOTH  
TECHNOLOGY



SMARTPHONE  
OPERATED ONLY



SLIDE APP  
AVAILABLE



UP TO 250 WIRELESS  
CONNECTED LAMPS



UNLIMITED COLOURS  
AND AMBIANCES

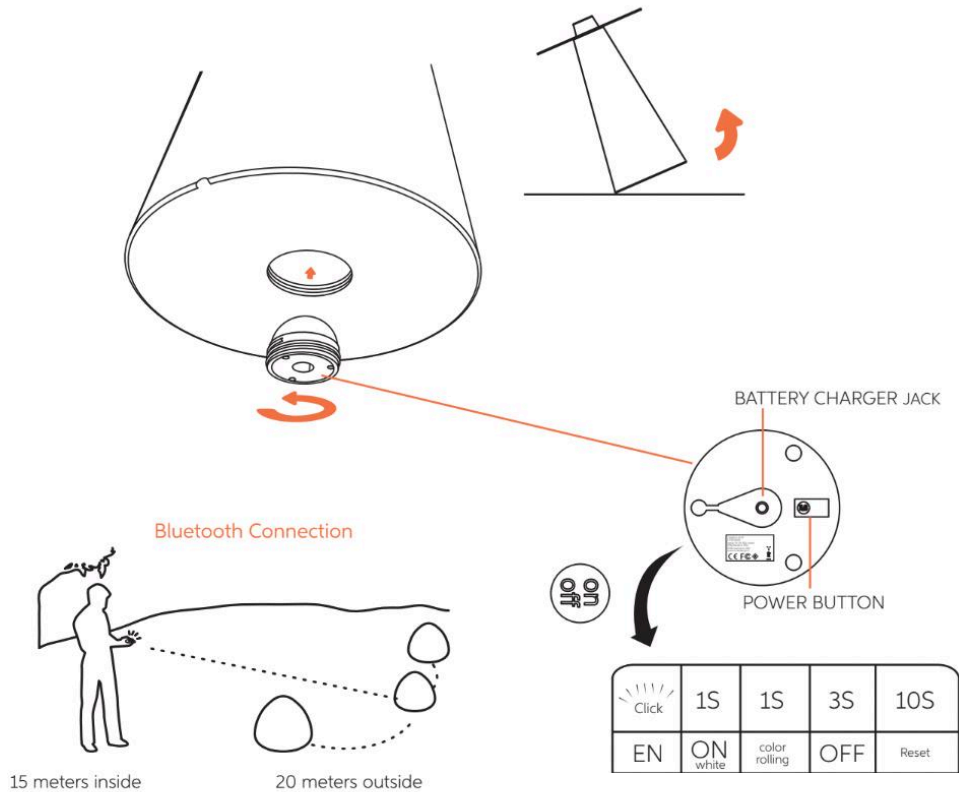
P.2

[sales@gordonbullard.com](mailto:sales@gordonbullard.com)  
[www.bullardbollards.com](http://www.bullardbollards.com)  
1 877-964-4646



991 South Gull Lake Dr.  
Richland, MI 49083  
USA

**CANDY LIGHT MODULE PLACEMENT**



**CANDY LIGHT REMOTE CONTROL**  
**\*(SOLD SEPARATELY)**

