



**BULLARD
BOLLARDS**
Think Bollard Think Bullard

MAXIBUNNY GLOW 1L 215 (INGROUND LUMINAIRES)



FIXTURE TYPE: _____

PROJECT NAME: _____

NOTES:



GENERAL INFORMATION:

The MAXIBUNNY GLOW 1L 215 by Bullard Bollards is a versatile ground-recessed luminaire that transforms outdoor circulation areas with broad, grazing illumination that feels both refined and functional. Its rugged die-cast aluminum body and ultra-clear tempered glass diffuser resist atmospheric wear and maintain optical clarity through years of use. Equipped with an advanced water-lock system and robust sealing. Designed for seamless integration into hardscape surfaces, this fixture enhances visual comfort and spatial definition in pathways and plazas.

FIXTURE TYPE:

Inground Luminaires

LIGHTING:

LED

INPUT VOLTAGE:

110-277V

MATERIAL:

Die-cast aluminum EN AB 44100 highly resistant to oxidation

GASKETS:

Silicone gaskets

EXTERNAL SCREWS:

Stainless steel A4-70 treated with highly antioxidant water-repellent lubricating solution

FINISH AND PROTECTION:

Primary treatment with nanoceramic conversion. Secondary treatment by application of protective epoxy primer. Protective finish with textured polyester powder coating, resistant to weathering and UV rays

ROUGH IN HOUSING:

Polypropylene to be ordered separately

DRAINAGE:

30cm of gravel or draining material.
Alternatively, draining piping system.

STATIC LOAD:

5511.6 lb - Drive-over max 10km/h

CRI:

>90

THINK BOLLARD - THINK BULLARD

sales@gordonbullard.com
www.bullardbollards.com
1-877-964-4646



991 South Gull Lake Dr
Richland, MI 49083
USA

FIXTURE TYPE: _____

PROJECT NAME: _____

NOTES:



DRIVER POSITION:

Integral

IP RATING:

IP67

APPLINCE CLASS:

I

CUTOUT SHAPE:

Round

CABLE ENTRY:

Metal cable gland M20 Ø 0.7/1.3 cm

CABLE TYPE:

H05RN-F 3x0.01 cm²

WATER-LOCK SYSTEM:

Cable gland with anti-moisture suction system, preventing the capillary rise of water or condensation along the cable and ensuring maximum protection of the luminaire body and electrical components.

CORD LENGTH:

50 cm

LIGHT DISTRIBUTION:

118° Other

BEAM DIRECTIONABILITY:

Fixed optics

DIFFUSER MATERIAL/FINISH/TEMPERATURE:

Tempered glass 0.5cm /Transparent - extra clear/ < 313.15 K (< 40 °C)

WARRANTY:

LED lighting products are warranted for 5 years.

MAIN FEATURES:

- Wide range of finishes
- Evocative / Functional design
- Resistant to vandalism
- Operating Temperature: 253.15 K ÷ 308.15 K (-20 °C ÷ +35 °C)
- Increased temperature to 323.15 K (50°C)
- * upon request previous specific components and test



THINK BOLLARD - THINK BULLARD

sales@gordonbullard.com
 www.bullardbollards.com
 1-877-964-4646

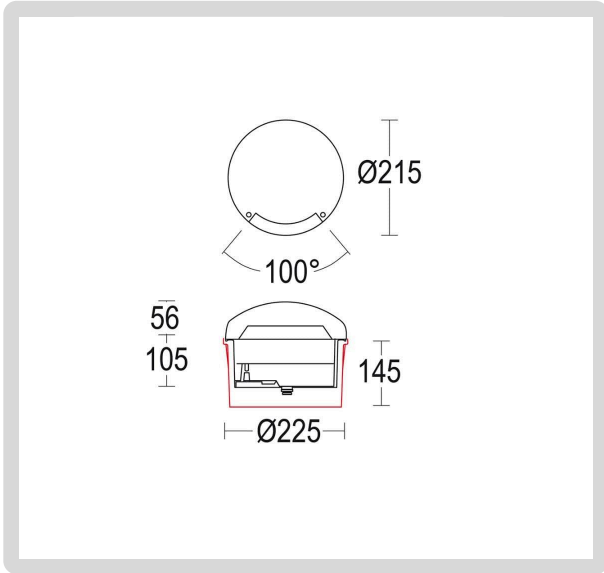


991 South Gull Lake Dr
 Richland, MI 49083
 USA



FIXTURE TYPE: _____

PROJECT NAME: _____



HOW TO ORDER:

CODE:

Example:
CODE: BB-

BB-

1 DIMENSIONS:

Diameter - Ø: 8.46" (21.5 cm)
 Recessed hole diameter - Ø: 8.86" (22.5 cm)
 Recessed depth - h: 5.71" (14.5 cm)

2 LIGHT SOURCE:

1 x 9.6W | 110-277 V / 60 Hz

3 CCT&LUMENS:

-K30 3000K = 1478 lm
-K40 4000K = 1590 lm

4 DIMMING OPTIONS:

-NON NON-Dimmable
-DIM 0-10V
-CAS Casambi
-LT Lutron
-DAL Dali

5 FINISH OPTIONS:

-01 White matt
-02 Black matt
-05 Anthracite grey matt
-19 Light grey matt
-26 Bronze
-45 Corten matt
-62 Antique grey matt
-65 Blue matt
-80 Sand matt
-83 Green matt



THINK BOLLARD - THINK BULLARD

sales@gordonbullard.com
 www.bullardbollards.com
 1-877-964-4646



991 South Gull Lake Dr
 Richland, MI 49083
 USA



FIXTURE TYPE: _____

PROJECT NAME: _____

HOW TO ORDER:

CODE:

Example:
CODE: BB-

BB-

6 ACCESSORIES:

-AC010

SPD 10kV IP66 C I - Serie



-AC204

IP 68 fast connector 4P



-AC204-5P

IP 68 fast connector 5P



-AC017

Rough-in housing 225x140



-ED-10

DALI Optional



7 PHOTOMETRY:



118° / 3000K

H(m)	φ (m)	lux med. 3000 K	lux max. 3000 K
5	16.8	4	11
4	13.5	6	18
3	10.1	11	31
2	6.7	25	71
1	3.4	102	282



118° / 4000K

H(m)	φ (m)	lux med. 4000 K	lux max. 4000 K
5	16.8	4	11
4	13.5	6	18
3	10.1	11	32
2	6.7	26	72
1	3.4	103	287

THINK BOLLARD - THINK BULLARD

sales@gordonbullard.com

www.bullardbollards.com

1-877-964-4646



991 South Gull Lake Dr

Richland, MI 49083

USA