



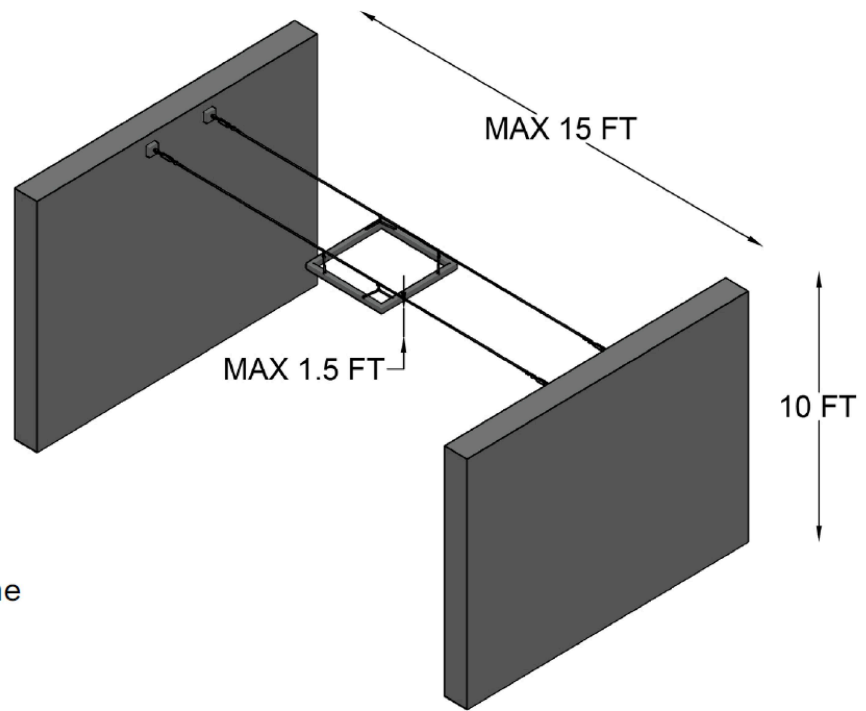
**BULLARD
BOLLARDS**
Think Bollard Think Bullard



FRUIT SQUARE OUTDOOR

INSTALLATION TYPE:
PENDANT-MOUNT





Fastening squares to the walls for the sizes:

- 2ft
- 3ft
- 4ft



Do not forget to turn off the electrical connection before installation.

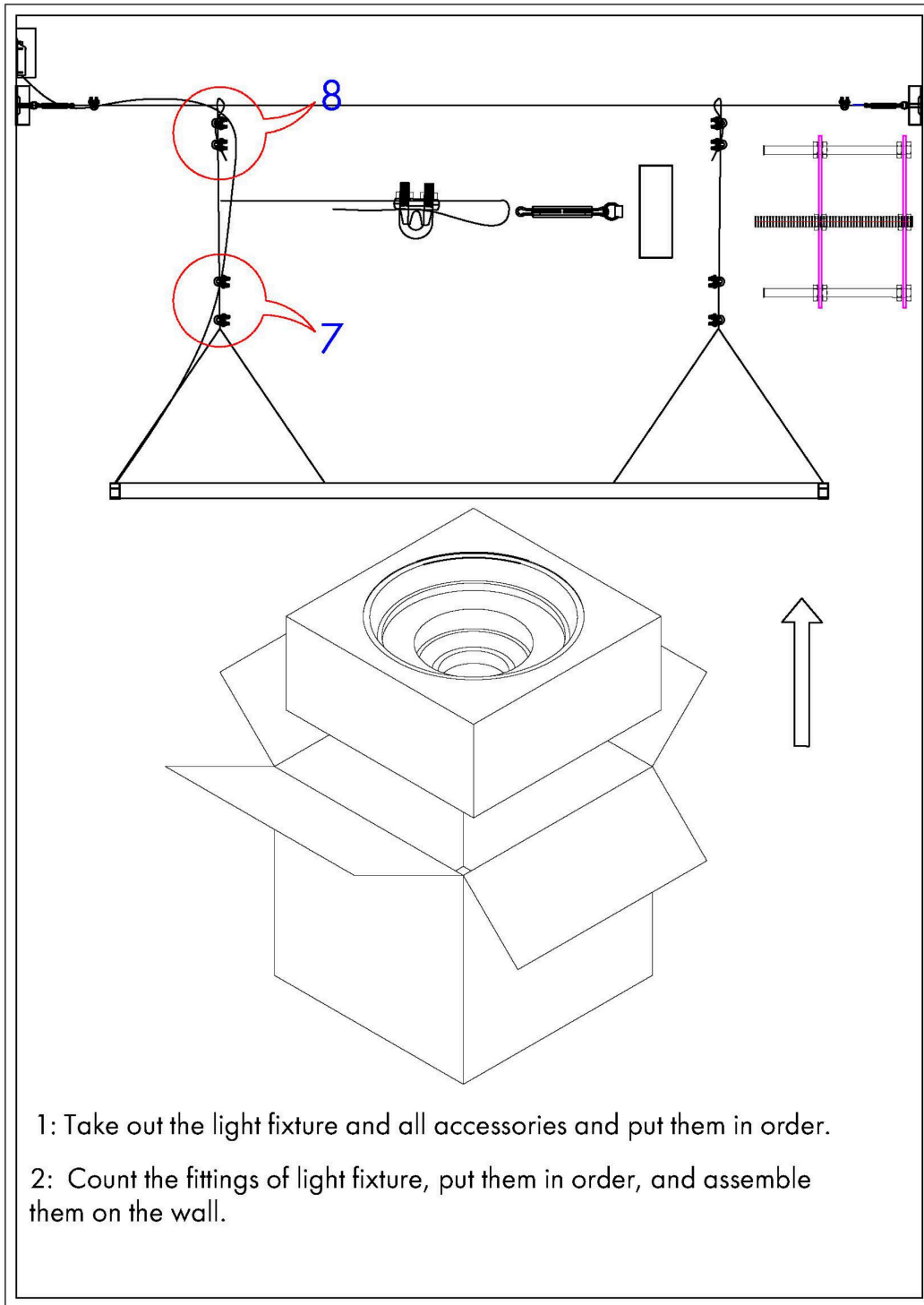


It is dangerous to interfere with the product, except for people with technical knowledge.

sales@gordonbullard.com
www.bullardbollards.com
1 877-964-4646



991 South Gull Lake Dr.
Richland, MI 49083
USA



Do not forget to turn off the electrical connection before installation.

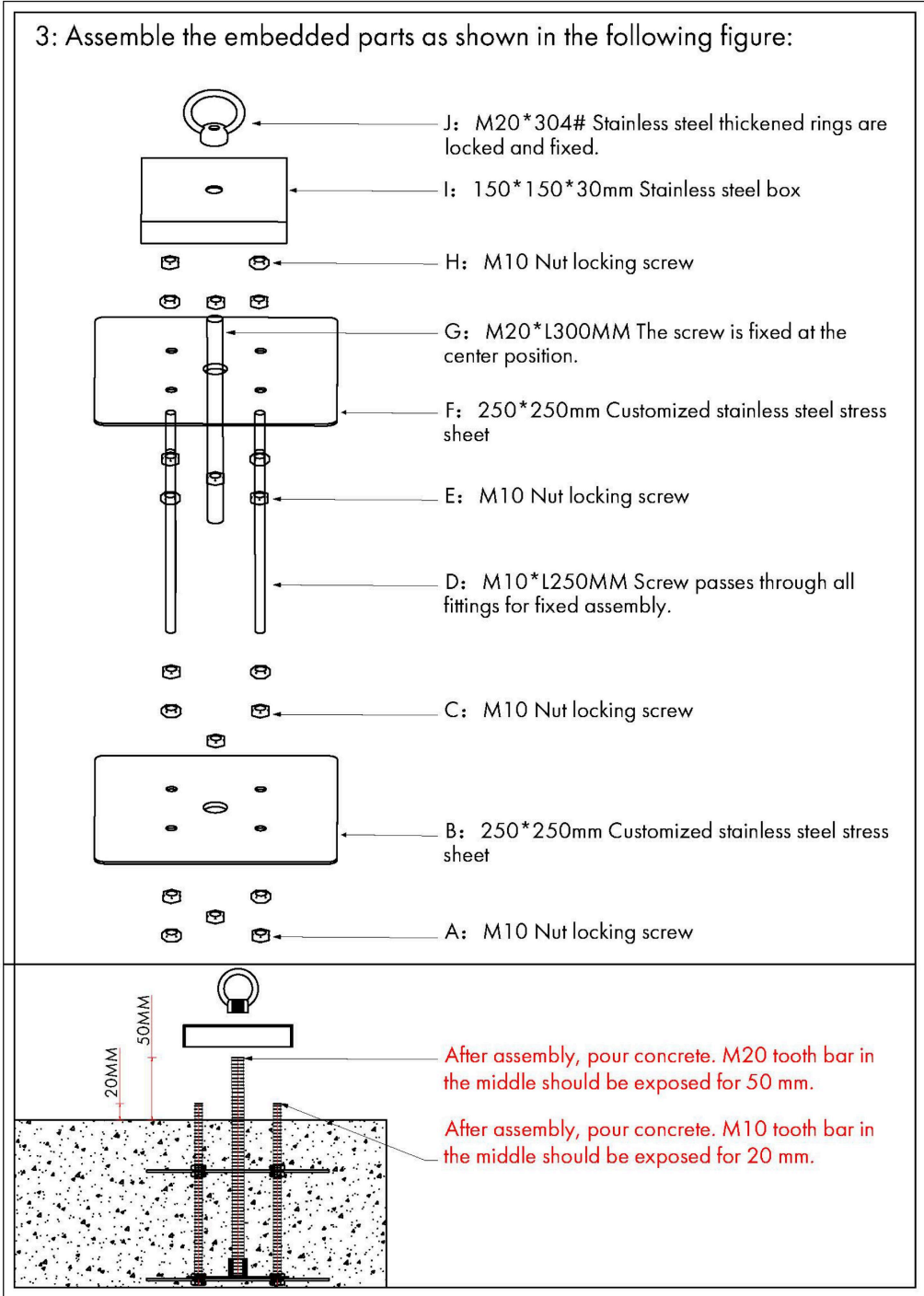


It is dangerous to interfere with the product, except for people with technical knowledge.

sales@gordonbullard.com
www.bullardbollards.com
 1 877-964-4646



991 South Gull Lake Dr.
 Richland, MI 49083
 USA



Do not forget to turn off the electrical connection before installation.



It is dangerous to interfere with the product, except for people with technical knowledge.

sales@gordonbullard.com
www.bullardbollards.com
 1 877-964-4646



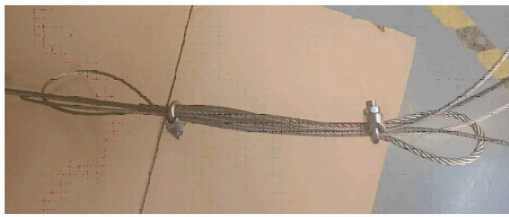
991 South Gull Lake Dr.
 Richland, MI 49083
 USA



4: Adjust the length of the stainless steel telescopic device as shown in the figure:

5: Thread the steel wire rope into one end of the telescopic device for double fastening as shown in the figure:

6: Hang one end of the stainless steel telescopic device on the lifting ring and tighten the wire rope by rotating.



7: Adjust the height of the wire rope and fix the wire rope, as shown in the figure:

8: Adjust the height of the steel wire rope and fix the link with the main steel wire, as shown in the figure:

9: After the light fixture is assembled, check whether the fixture are vertical and parallel and adjust them.

10: Turn on the light and try to light it.



Do not forget to turn off the electrical connection before installation.



It is dangerous to interfere with the product, except for people with technical knowledge.