



**BULLARD  
BOLLARDS**  
Think Bollard Think Bullard

**MODLUX**  
BB-1037-BL





**BULLARD  
BOLLARDS**  
Think Bullard Think Bullard

**CODE:  
BB-1037-BL**

FIXTURE TYPE: \_\_\_\_\_

PROJECT NAME: \_\_\_\_\_



**GENERAL INFORMATION:**

The Modlux Bollard from the Bullard Outdoor range offers a durable and energy-efficient LED lighting solution for outdoor applications in gardens, parks, pathways, and villas. With a power rating of 10W and compatibility with 110-277V inputs, this cement-based fixture is IP65 rated for high protection against elements and provides excellent corrosion resistance. Measuring H25.83", L5.12", W5.12", it features a 10W LED light source (650lm) with beam angle options of 24°, 36°, and 45°, available in CCT options from 3000K to 6000K, and CRI choices of 80 or 90.

**FIXTURE TYPE:**

Bollard

**LIGHTING:**

LED

**LED**

**VOLTAGE:**

110-277V



**MATERIAL:**

Corrosion-resistant cement

**IP:**

IP 65

**IP65**

**THINK BOLLARD - THINK BULLARD**

sales@gordonbullard.com

www.bullardbollards.com

1-877-964-4646



991 South Gull Lake Dr

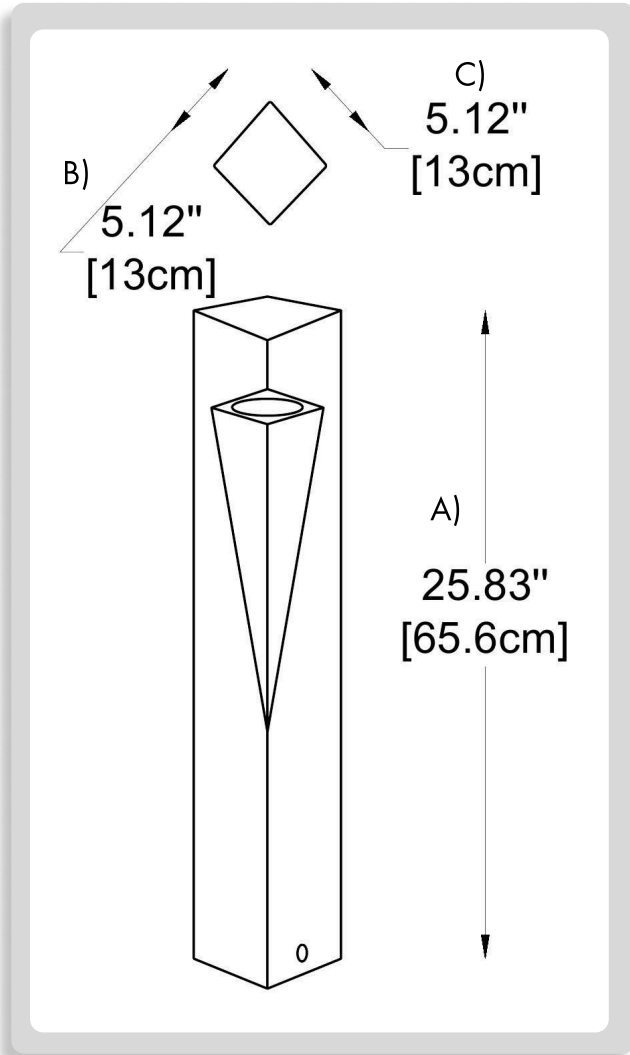
Richland, MI 49083

USA



FIXTURE TYPE: \_\_\_\_\_

PROJECT NAME: \_\_\_\_\_



**HOW TO ORDER:**

**CODE:**

Example:  
CODE: BB-1037-BL-B24-K30-C90-DIM

BB-1037-BL-B24-  
K30-C90-DIM

**1 DIMENSIONS:**

A) Height - H: 25.83" (65.6 cm)  
B) Length - L: 5.12" (13 cm)  
C) Width - W: 5.12" (13 cm)

**2 LIGHT SOURCE:**

LED / 10W / 650lm

**3 BEAM ANGLE:**

**-B24** 24°  
**-B36** 36°  
**-B45** 45°

**4 CCT:**

**-K30** 3000K  
**-K40** 4000K  
**-K50** 5000K  
**-K60** 6000K

**5 CRI:**

**-C80** CRI 80  
**-C90** CRI 90

**6 DIMMING OPTIONS:**

**-NON** NON-Dimmable  
**-DIM** 1-10V

**THINK BOLLARD - THINK BULLARD**

sales@gordonbullard.com  
www.bullardbollards.com  
1-877-964-4646



991 South Gull Lake Dr  
Richland, MI 49083  
USA

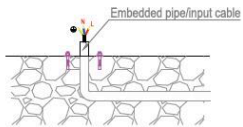


FIXTURE TYPE: \_\_\_\_\_

PROJECT NAME: \_\_\_\_\_

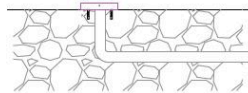
**INSTALLATION INSTRUCTIONS:**

1)



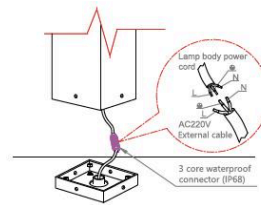
Drill the hole and install the expansion bolts.

2)



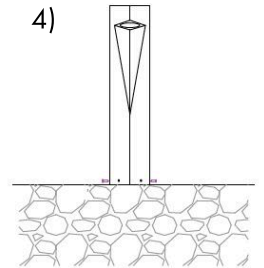
Install the mounting base with bolts.

3)



Connect the power supply cable to the lamp with a waterproof (IP68) connector and install the mounting base in.

4)



Install the lamps in mounting base.

**THINK BOLLARD - THINK BULLARD**

sales@gordonbullard.com  
www.bullardbollards.com  
1-877-964-4646



991 South Gull Lake Dr  
Richland, MI 49083  
USA