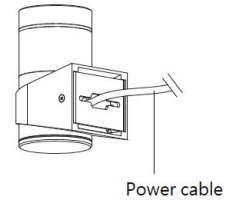
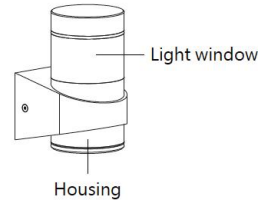


# BANE



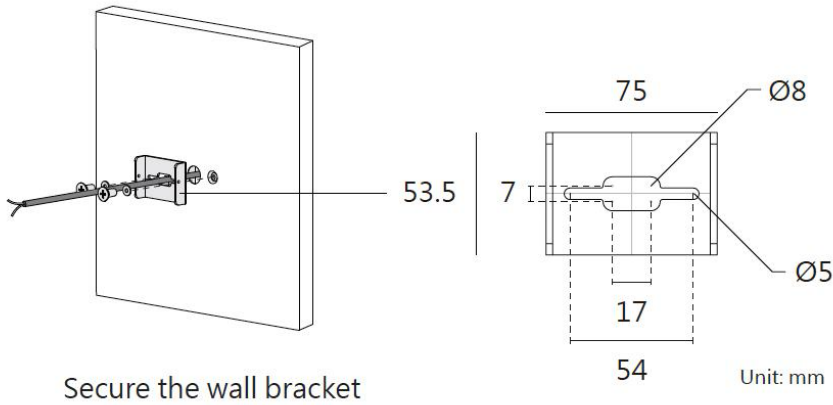
Data Sheet:

Input Voltage (V): 110-277  
 IK 08

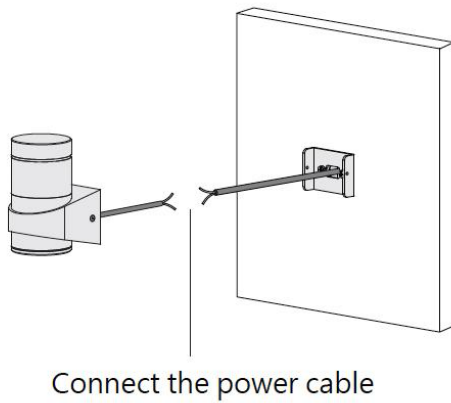


Installation steps

Step 1



Step 2



Step 3

