



**BULLARD
BOLLARDS**
Think Bollard Think Bullard



GLOBO 60-70 PENDANT GLOSSY

INSTALLATION TYPE:
PENDANT MOUNT





ASSEMBLY INSTRUCTIONS



H2
2 RING



Appliance suitable for installation on normally inflammable surfaces.

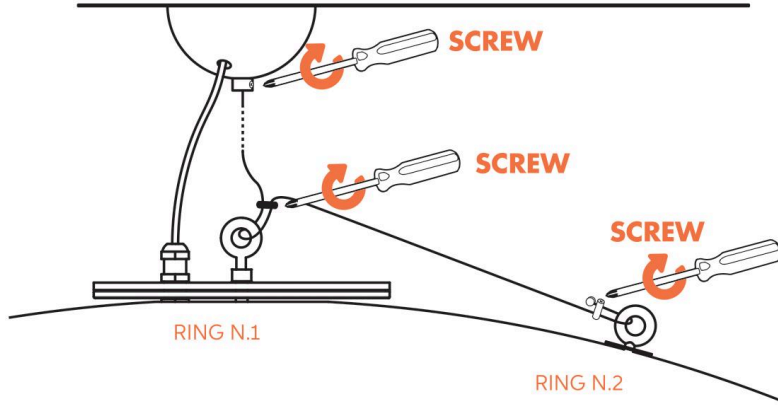


Appliance for indoor use (with transparent cable) and outdoor use (with black cable).

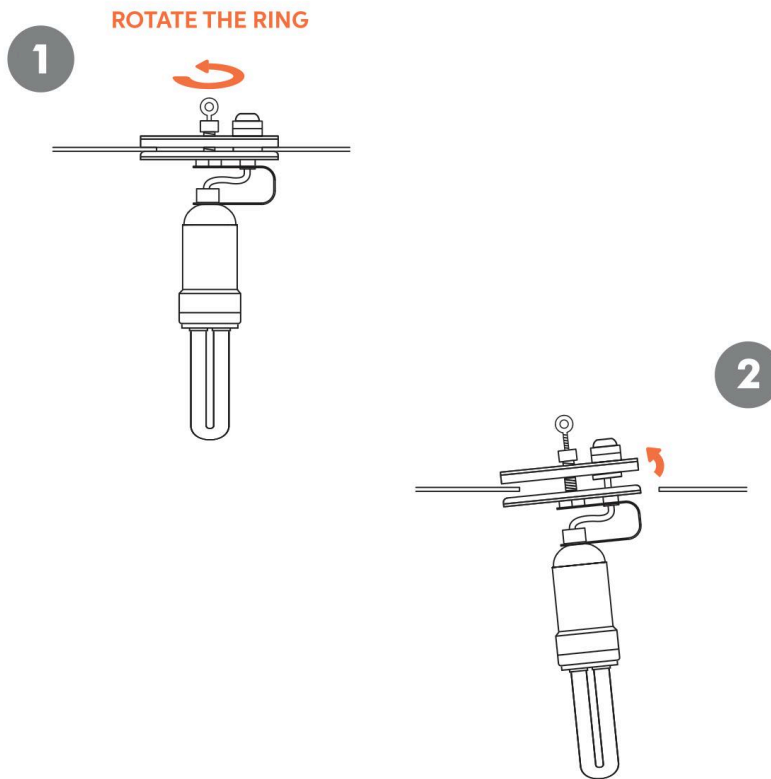




DETAILS OF HANGING PROCESS



BULB REPLACEMENT





EN - Warning: the appropriate use of these instructions ensures the good maintenance of the product. Always consult the technical sheet of the product on the website.
 Before any operation on the fixture, please disconnect the power supply.
 Assembly and maintenance of the fixture must be performed carefully so components are not damaged.
 Replacement bulbs must be the same type and wattage as specified in the technical sheet.
 Use LED bulbs only.
 In case of damage to the feeding cable, please contact a dealer or qualified personnel for replacement. Keep away from excessive heat sources.
 Avoid any improper use. Do not stand on the products. When the product has to be moved, lift the product off the ground in order to avoid damages.
 Always protect the product with its original packaging when not in use for a long time.

WARRANTY

EN - products are guaranteed against all manufacturing faults, granted that the items are appropriately used, for twenty-four (24) months from the date of purchase upon presentation of the invoice.
 LEDs are guaranteed for twelve (12) months from the date of purchase.
 Warranty doesn't include parts that are subject to wear and tear due to usage, batteries when provided, wiring and electrical parts that do not have manufacturing faults

MAINTENANCE & CLEANING

Cleaning and Maintenance Manual

- To prevent dust and dirt from sticking to the plastic surfaces, periodically clean the products with a damp cloth and neutral liquid soap diluted in water.
- Avoid using ethanol or any liquids containing, even in small amounts, acetone, trichloroethylene or ammonia (solvents in general).
- In case of persistent stains use a high pressure washer or scrub eraser. The use of the scrub eraser (melamine foam - Scotch-Brite® Easy Eraser or similar) is only recommended for white colour, as they are slightly abrasive.
- The lacquered version is also suitable for outdoor use, however it is more sensitive to scratches: periodically clean with a polish cleaner, gently rubbing with soft cloth/cotton wool.
- Cushions can be cleaned with a damp cloth, neutral liquid soap and water.
- For metal parts use specific cleaners.



Refer to the instruction before use.



Product made with 100% recyclable material.



Recycling and disposal of electronic waste (WEEE).

sales@gordonbullard.com
www.bullardbollards.com
 1 877-964-4646



991 South Gull Lake Dr.
 Richland, MI 49083
 USA