



**BULLARD
BOLLARDS**
Think Bollard Think Bullard

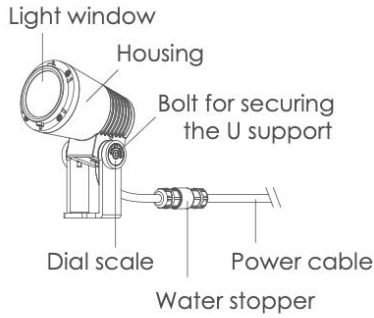
INSTALLATION INSTRUCTION
01/28/2026

THANE



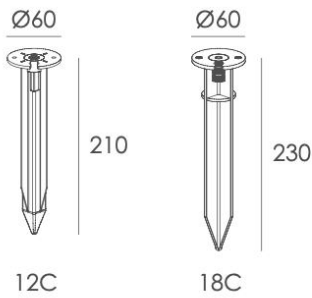
Exterior details

Luminaire

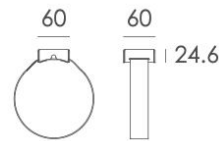


Optional accessories

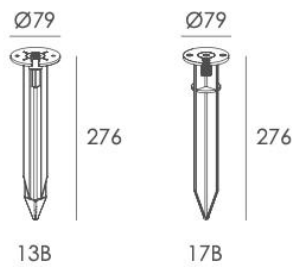
Spike



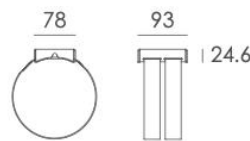
Tree pole strap



Spike



Tree pole strap



Data Sheet:

Input Voltage (V): 110-277
 IK: 06

P.2

sales@gordonbullard.com
www.bullardbollards.com
 1 877-964-4646



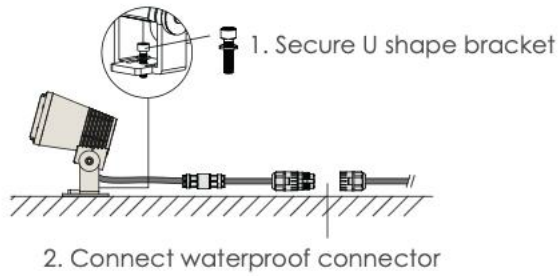
991 South Gull Lake Dr.
 Richland, MI 49083
 USA



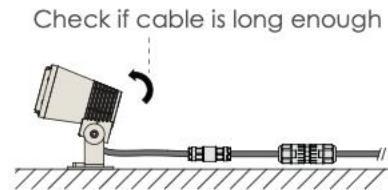


Installation steps

Step 1

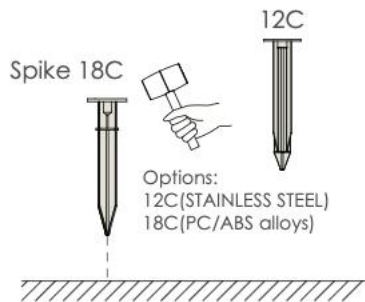


Step 2

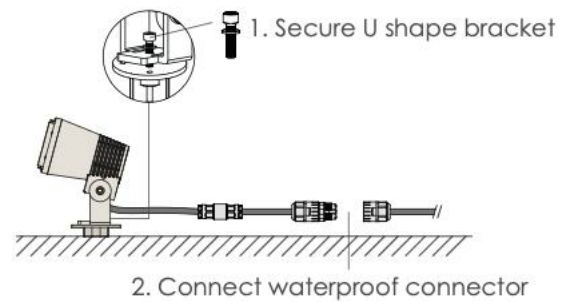


Accessories assemble - Spike

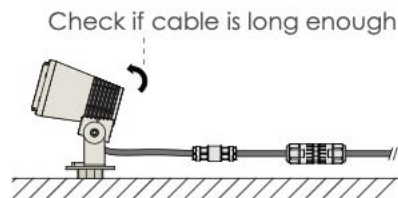
Step 1



Step 2

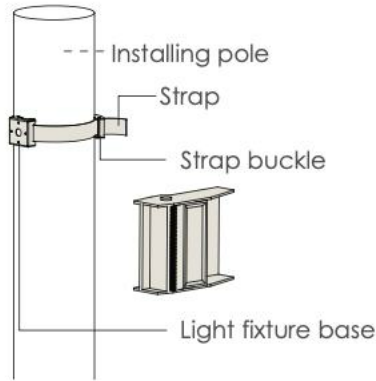


Step 3

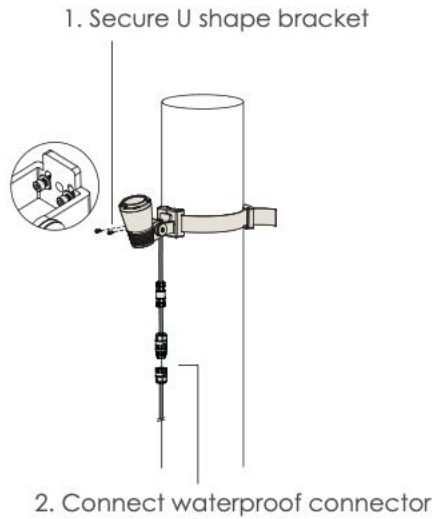


Accessories assemble - Tree pole strap

Step 1



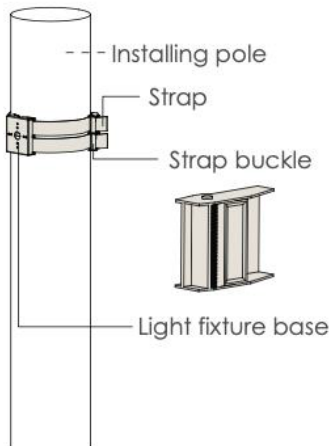
Step 2



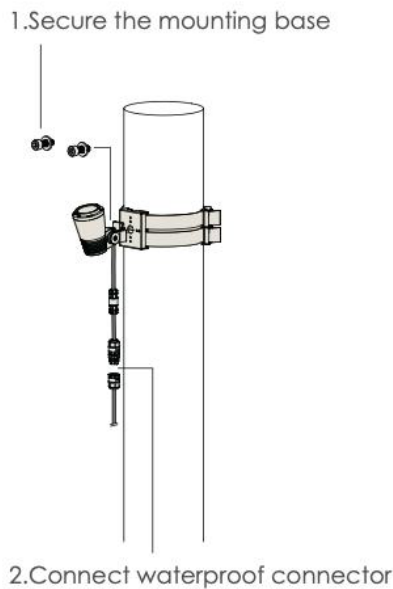
Step 3



Step 1



Step 2



Step 3

