



**BULLARD
BOLLARDS**
Think Bollard Think Bullard

EDGE SP
STANDARD GRADE





FIXTURE TYPE: _____

PROJECT NAME: _____



GENERAL INFORMATION:

EDGE SP Collection is a high-performance urban lighting fixture designed for durability and versatility. Built from extruded and die-cast aluminum, it features tempered glass and IP65 protection. Available in LED outputs from 6.3W to 32W, it offers multiple beam angles, CCT options (3000K/4000K), dimming controls, and a variety of finishes, ensuring reliable, customizable illumination for modern outdoor spaces.

FIXTURE TYPE:

Urban Lights

VOLTAGE:

110-277V



MATERIAL:

Extruded aluminum EN AW-6060 T5 high resistance to oxidation,
Die-cast aluminum EN AB 44100 highly resistant to oxidation

OPTICAL:

12° / 17° / 25° / 37° / 50° / 14°x 47° / 19°x 32°

IP RATING:

IP 65



DRIVER POSITION:

Integral

LENS:

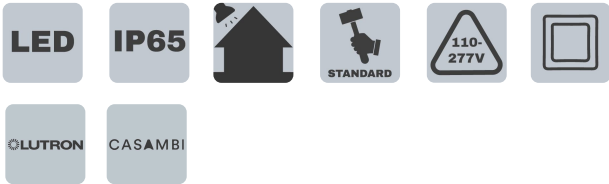
Tempered glass 4 mm

WARRANTY:

LED lighting products are warranted for 5 years.

MAIN FEATURES:

- High visual comfort
- Wide range of finishes
- Functional design
- Minimal design
- Shock resistant
- Operating Temperature: -22°F~122°F



THINK BOLLARD - THINK BULLARD

sales@gordonbullard.com
www.bullardbollards.com
1-877-964-4646



991 South Gull Lake Dr
Richland, MI 49083
USA



FIXTURE TYPE: _____

PROJECT NAME: _____

NOTES:

HOW TO ORDER: _____ **CODE:** _____

Example:
CODE: BB-GH159-GH-100-K30-B25-AC969-BM-DIM-AC204

BB-GH159-GH-100-K30-B25-AC969-BM-DIM-AC204

1 MODELS:

-100

DIMENSIONS:

- A) Length - L: 4.25" (10.8 cm)
- B) Width - W: 3.62" (9.2 cm)
- C) Over Width - W: 8.58" (21.8 cm)
- D) Fixture Height - H: 1.69" (4.3 cm)
- E) Ring Height - H: 3.35" (8.5 cm)

2 LIGHT SOURCE:

LED / 1 x 6.3 W / 110-277V

3 CCT & LUMENS: _____

- K30** 3000K / 588 lm
- K40** 4000K / 654 lm

4 BEAM ANGLE: (STANDARD VERSION) _____

- B12** 12°
- B25** 25°
- B50** 50°
- B14-47** 14° x 47°



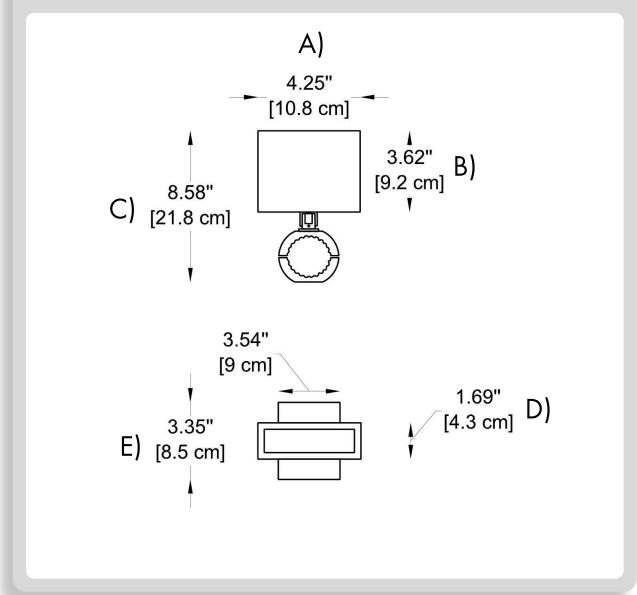
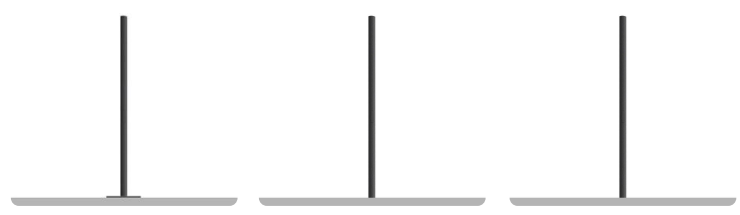
5 BEAM ANGLE: (DARK VERSION) _____

- B17** 17°
- B37** 37°
- B50** 50°
- B19-32** 19° x 32°



6 POLES: _____

- AC969** Cylindrical poles with base Ø: 2.36" (6 cm) 13.12 ft (4 m)
- AC978** Cylindrical poles with base Ø: 2.36" (6 cm) 8.20 ft (2.5m)
- AC979** Cylindrical poles to be buried Ø: 2.36" (6 cm) 13.12 ft (4 m)



sales@gordonbullard.com
www.bullardbollards.com
1-877-964-4646



991 South Gull Lake Dr
Richland, MI 49083
USA



FIXTURE TYPE: _____

PROJECT NAME: _____

NOTES:

HOW TO ORDER: CODE:

Example:
CODE: BB-GH159-GH-100-K30-B25-AC969-BM-DIM-AC204

BB-GH159-GH-100-K30-B25-AC969-BM-DIM-AC204

1 MODELS:

-150

DIMENSIONS:

- A) Length - L: 6.30" (16 cm)
- B) Width - W: 3.62" (9.2 cm)
- C) Over Width - W: 8.58" (21.8 cm)
- D) Fixture Height - H: 1.69" (4.3 cm)
- E) Ring Height - H: 3.35" (8.5 cm)

2 LIGHT SOURCE:

LED / 1 x 10.5 W / 110-277V

3 CCT:

- K30** 3000K / 982 lm
- K40** 4000K / 1090 lm

4 BEAM ANGLE: (STANDARD VERSION)

- B12** 12°
- B25** 25°
- B50** 50°
- B14-47** 14° x 47°



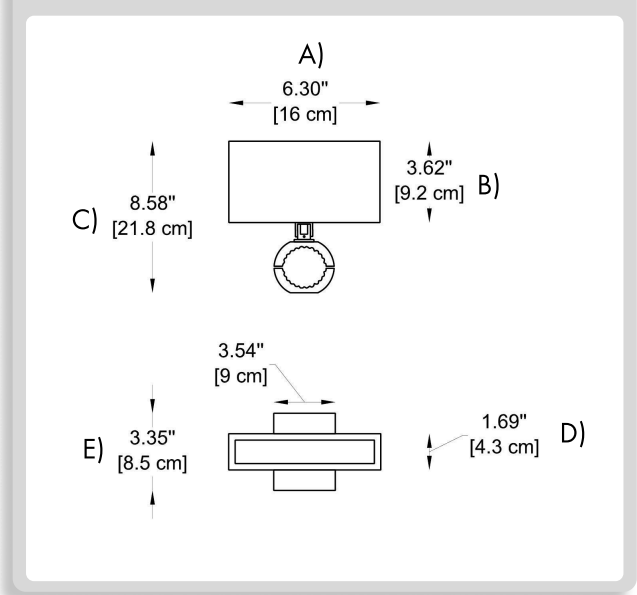
5 BEAM ANGLE: (DARK VERSION)

- B17** 17°
- B37** 37°
- B50** 50°
- B19-32** 19° x 32°



6 POLES:

- AC969** Cylindrical poles with base Ø: 2.36" (6 cm) 13.12 ft (4 m)
- AC978** Cylindrical poles with base Ø: 2.36" (6 cm) 8.20 ft (2.5m)
- AC979** Cylindrical poles to be buried Ø: 2.36" (6 cm) 13.12 ft (4 m)



LED IP65 STANDARD 110-277V LUTRON CASAMBI

sales@gordonbullard.com
www.bullardbollards.com
1-877-964-4646

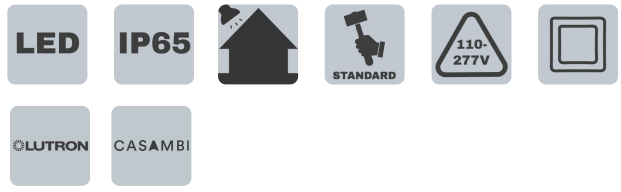
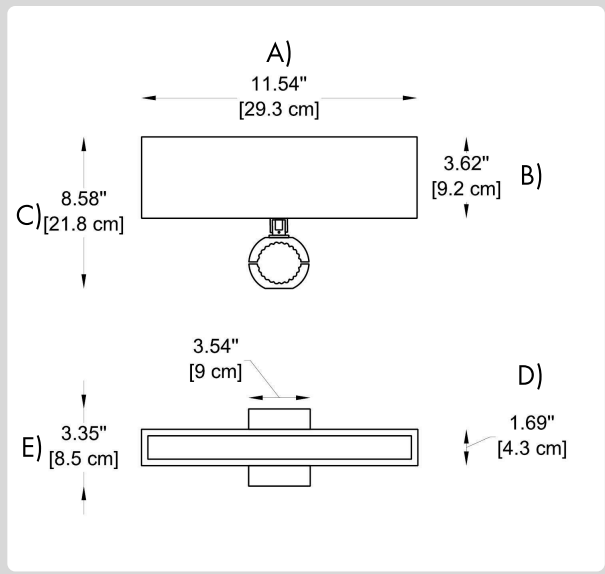


991 South Gull Lake Dr
Richland, MI 49083
USA



FIXTURE TYPE: _____

PROJECT NAME: _____



HOW TO ORDER:

CODE:

Example:
CODE: BB-GH159-GH-100-K30-B25-AC969-BM-DIM-AC204

BB-GH159-GH-100-K30-B25-AC969-BM-DIM-AC204

1 MODELS:

-300

DIMENSIONS:

- A) Length - L: 11.54" (29.3 cm)
- B) Width - W: 3.62" (9.2 cm)
- C) Over Width - W: 8.58" (21.8 cm)
- D) Fixture Height - H: 1.69" (4.3 cm)
- E) Ring Height - H: 3.35" (8.5 cm)

2 LIGHT SOURCE:

- 21W** LED / 1 x 21 W / 110-277V
- 32W** LED / 1 x 32 W / 110-277V

3 CCT:

- Kelvins | Lumens (21W) | Lumens (32W)
- K30** 3000K | 1964 lm | 2946 lm
 - K40** 4000K | 2180 lm | 3270 lm

4 BEAM ANGLE: (STANDARD VERSION)

- B12** 12°
- B25** 25°
- B50** 50°
- B14-47** 14° x 47°



5 BEAM ANGLE: (DARK VERSION):

- B17** 17°
- B37** 37°
- B50** 50°
- B19-32** 19° x 32°



6 POLES:

- AC969** Cylindrical poles with base Ø: 2.36" (6 cm) 13.12 ft (4 m)
- AC979** Cylindrical poles to be buried Ø: 2.36" (6 cm) 13.12 ft (4 m)



sales@gordonbullard.com
www.bullardbollards.com
1-877-964-4646



991 South Gull Lake Dr
Richland, MI 49083
USA



**CODE:
BB-GH159-GH**

FIXTURE TYPE: _____

PROJECT NAME: _____



HOW TO ORDER: CODE:

Example:
CODE: BB-GH159-GH-100-K30-B25-AC969-BM-DIM-AC204

BB-GH159-GH-100-K30-B25-AC969-BM-DIM-AC204

7 FINISH OPTIONS:

- AG Anthracite grey (matt) ●
- LG Light grey (matt) ●
- WM White matt ●
- BM Black matt ●
- CM Corten matt ●
- BR Bronze ●
- AGM Antique grey (matt) ●
- BM Blue matt ●
- SM Sand matt ●
- GM Green matt ●

8 DIMMING OPTIONS:

- NON NON-Dimmable
- DIM 0-10V
- CAS Casambi
- LUT Lutron
- DAL Dali

9 ACCESSORIES:

-AC204
IP 68 fast connector 4P

-AC431
Edge wrap around pole bracket Ø 60mm - Double



-C430
Edge wrap around pole bracket Ø 60mm



sales@gordonbullard.com
www.bullardbollards.com
1-877-964-4646



991 South Gull Lake Dr
Richland, MI 49083
USA