

# BULLARD BOLLARDS

	COBRA 1107	LEVICO 1110B	LEVICO SMALL 1110B
	LED	LED	LED
CL			
	110-2770Vac 50/60Hz	110-2770Vac 50/60Hz	110-2770Vac 50/60Hz
IP	IP65	IP65	IP65
	17.5	17.5	17.5

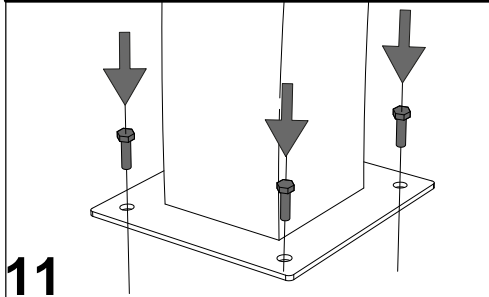
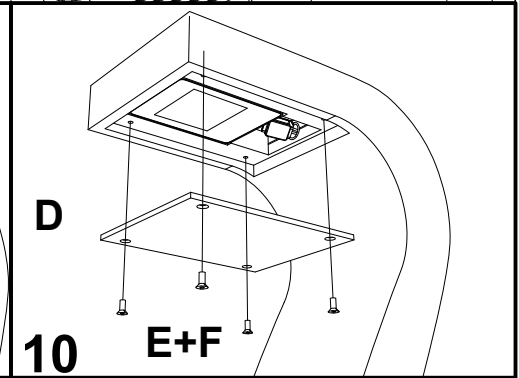
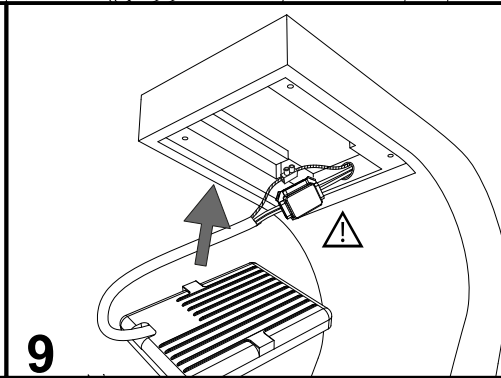
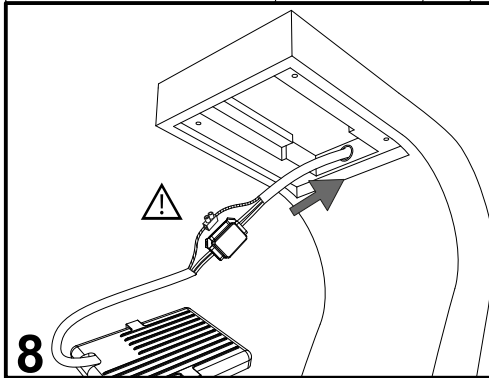
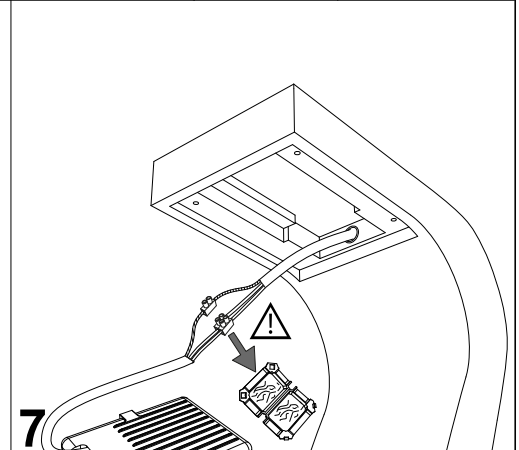
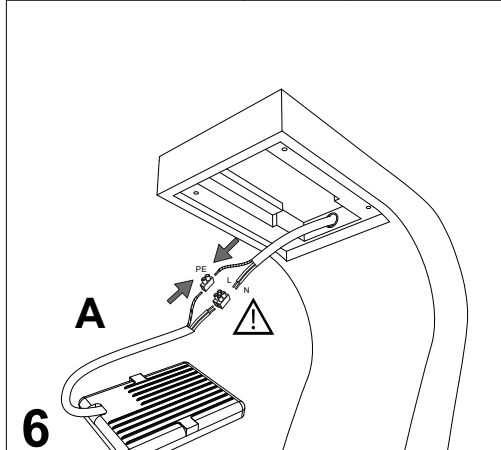
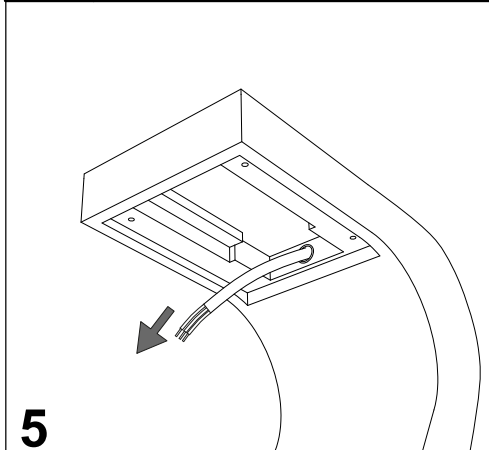
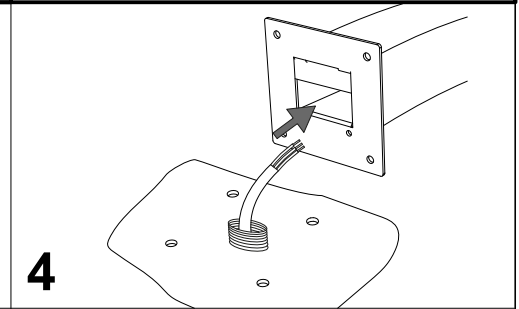
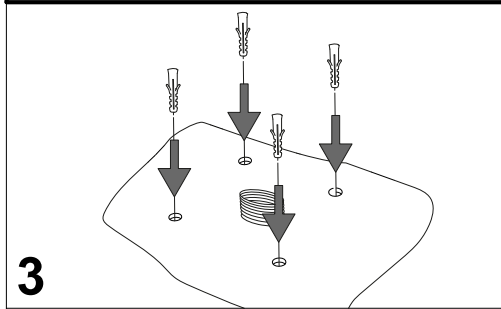
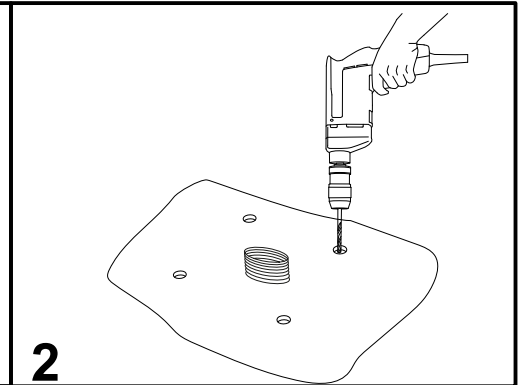
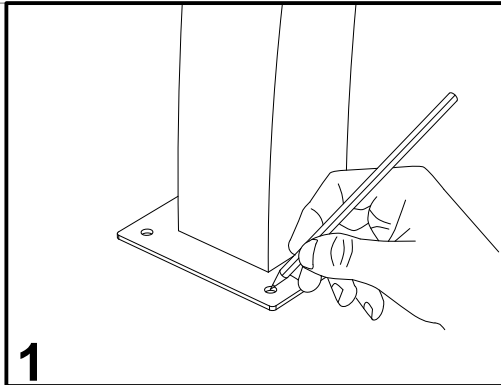


**A**

**D**

**E** **1107**  
4x (M4x14)  
**1110A-B**  
2x (M4x14)

**F**



Connection terminal not included.  
IP code of the connection must be equal or higher than the article's.  
For the installation qualified personnel may be required  
(recommended MAMMUT/FORBOX 1.5mm<sup>2</sup>)  
Max size for internal connection: 50x30x20mm  
(recommended RAYTECH HAPPY0)



## IMPORTANT

To ensure equipment safety you must carefully follow the instructions below. This leaflet must be kept handy by personnel entrusted with all ordinary and extraordinary maintenance.

- Before any installation or maintenance operation on the bulb, make sure it is disconnected from power.
- Fit the correct bulbs, according to the type and power indicated on the lamp data label.
- Make sure the lamp technical features are compatible with the use you are going to make of it.
- Should you have any doubt, refer to the dealer or ask an electrician.
- When connecting to the mains, follow the correct colour code for power cables: (N) blue, (L) brown or black and, only for class I equipment, (T) yellow/green.
- When lamps are to be fitted to the wall directly through their ceramic parts, fasten the fixing screws lightly, to avoid breaking the ceramic.
- To clean the lamp on the outside, use a soft cloth, possibly wet. Do not use solvents or abrasive products. No liquid must get in contact with the lamp interior parts.
- Do not touch the equipment with dirty hands.



= Class I equipment, must be connected to an earth terminal.



= Double insulated lamp, does not need earthing.



= Electrical equipment in class III, electrical safety guaranteed by low voltage tension, does not require grounding



= Minimum distance to be observed from all lit up objects.



= Replace immediately the safety glass, if damaged, with the original part.



= The lamp uses low pressure bulbs, and needs no protection glass.



= The equipment at the end of its life must be collected separately from other waste



sales@gordonbullard.com  
www.bullardbollards.com  
1-877-964-4646



991 South Gull Lake Dr  
Richland, MI 49083  
USA