

BALMOND
Surface Mounting Wall Light - Soft Light



FIXTURE TYPE: _____

PROJECT NAME: _____



GENERAL INFORMATION:

The BALMOND Surface Mounting Wall Light – Soft Light by Bullard Outdoor offers refined elegance and gentle illumination for exterior spaces. Crafted from die-cast aluminum with a premium powder-coated finish, it delivers lasting durability and resistance to outdoor elements. The fixture’s PMMA lens (T=8mm) provides a smooth, diffused glow ideal for creating inviting ambiance on facades, entrances, and patios. Powered by efficient LED technology with a CRI of 80, and designed to operate on a 110–277V universal input, the BALMOND ensures consistent performance with IP65 weather protection and IK08 impact resistance. Available in sanded bronze, dark gray, and black finishes

FIXTURE TYPE:

Surface Mounting Wall Light - Soft Light

LIGHTING

LED 

VOLTAGE:

110-277V 

MATERIAL:

Die-casting powder coated aluminum

LENS:

PMMA T=8mm

CRI:

80

IP RATING:

IP 65 

IK RATING:

IK 08

FINISHING:

- Sanded Bronze
- Sanded Dark Gray
- Sanded Black
- Sanded White

sales@gordonbullard.com
www.bullardoutdoor.com
1-877-964-4646

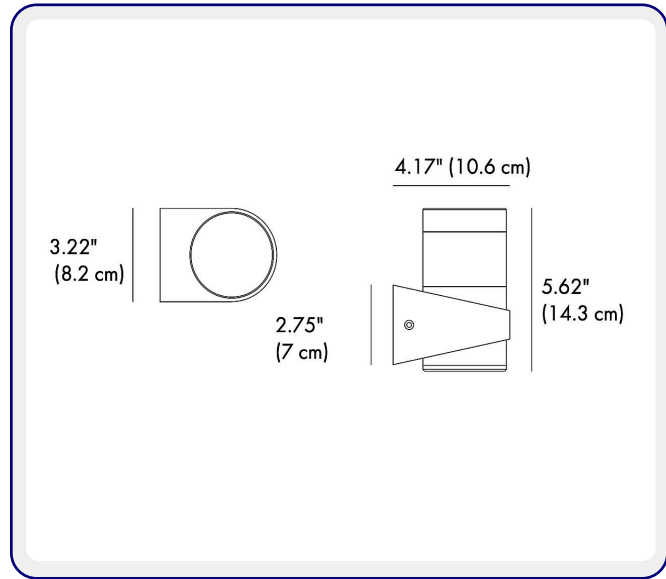


991 South Gull Lake Dr
Richland, MI 49083
USA

FIXTURE TYPE: _____

PROJECT NAME: _____

NOTES:



HOW TO ORDER:

CODE:

Example:
CODE: BO-BLM-KPG-SMW-XXX-XXX-XXX-XXX-XXX-XX

BO-BLM-KPG-SMW-
D7BD0125-K30-
KAP7008

1 **MODEL:**

CODE -D7BD0125

2 **DIMENSIONS:**

Height - H: 5.62" (14.3 cm)
Width - W: 4.17" (10.6 cm)

3 **LIGHT SOURCE:**

LED / 1 x 4.5W / 29 mA / 409 lm / 110-277V

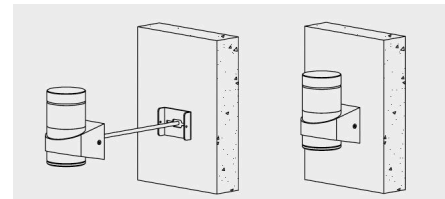
4 **CCT OPTIONS:**

-K30 3000K
-CUS Custom on request*

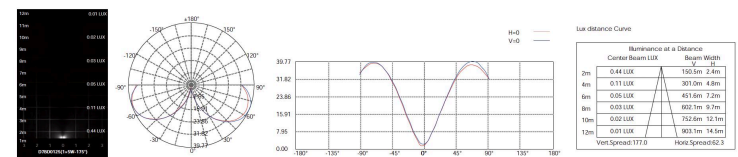
5 **FINISH OPTIONS:**

-KAP7008 Sanded Bronze
-KAP7037 Sanded Dark Gray
-RAL 9005 Sanded Black
-RAL9003 Sanded White

6 **DIAGRAM OF INSTRUCTION:**



7 **PHOTOMETRIC INFO:**



sales@gordonbullard.com
www.bullardoutdoor.com
1-877-964-4646



991 South Gull Lake Dr
Richland, MI 49083
USA