



**BULLARD  
BOLLARDS**  
Think Bollard Think Bullard

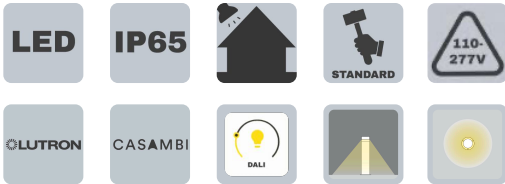
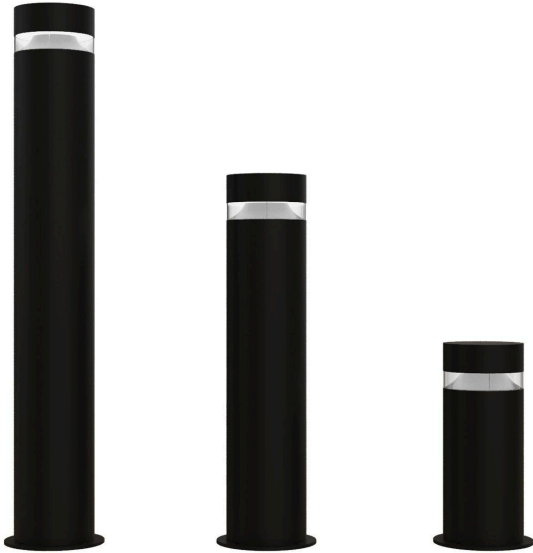
**THE JUNIPER**  
BB-JNP-BL





FIXTURE TYPE: \_\_\_\_\_

PROJECT NAME: \_\_\_\_\_



**GENERAL INFORMATION:**

The Juniper is a sleek and durable bollard from Bullard Bollard, designed for modern outdoor lighting applications. Featuring high-quality materials, superior craftsmanship, and energy-efficient LED technology, it provides excellent illumination while enhancing landscape aesthetics. Perfect for pathways, parks, and architectural settings, The Juniper delivers both style and functionality with Bullard Bollard’s signature reliability.

**FIXTURE TYPE:**

Bollard

**VOLTAGE:**

110-277V



**MATERIAL:**

Die-casting powder coated aluminum.

**IP RATING:**

IP65



**LENS:**

PMMA

**WARRANTY:**

LED lighting products are warranted for 5 years.

**DRIVER POSITION:**

Remote

**MAIN FEATURES:**

- High visual comfort
- Available in a wide range of finishes
- Functional and minimalistic design
- Shock-resistant construction
- Operating Temperature: -104°F to +140°F.

**LIGHTING DISTRIBUTIONS:**

360°

**THINK BOLLARD - THINK BULLARD**

sales@gordonbullard.com  
www.bullardbollards.com  
1-877-964-4646

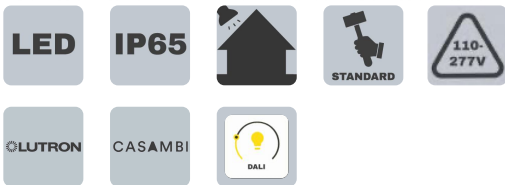
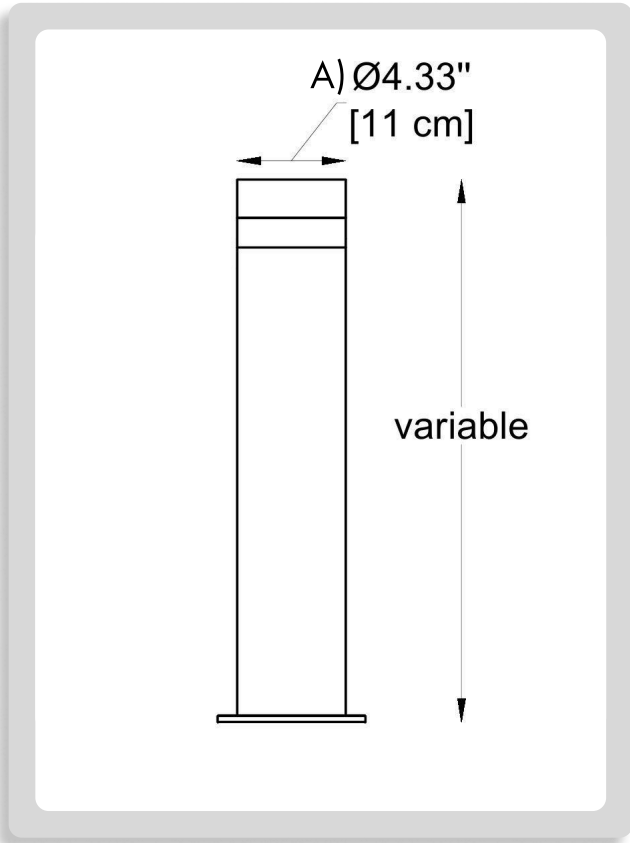


991 South Gull Lake Dr  
Richland, MI 49083  
USA



FIXTURE TYPE: \_\_\_\_\_

PROJECT NAME: \_\_\_\_\_



**HOW TO ORDER:**

**CODE:**

Example:  
CODE:  
BB-JNP-BL-H2-30K-DIM-SB-JC3001

BB-JNP-BL-  
H2-30K-DIM-SB-  
JC3001

**1 BODY HEIGHT:**

- H1 H: 11.81" (30 cm)
- H2 H: 21.65" (55 cm)
- H3 H: 31.49" (80 cm)

**2 DIAMETER:**

A) Ø1: 4.33" (11 cm)

**3 LIGHT SOURCE:**

LED / 7W / 60 mA / 214 lm / 80 CRI





**4 CCT:**

- 30K 3000K
- 40K 4000K
- 50K 5000K
- CUS Custom on request

**5 DIMMING OPTIONS:**

- NON NON-Dimmable
- DIM 0-10V
- CAS Casambi
- LUT Lutron
- DAL Dali

**6 FINISH OPTIONS:**

- SB Sanded Black (RAL 9005) 
- DG Sanded Dark Grey (Kap 7037) 
- LSG Sanded Bronze (KAP 7008) 
- CUS Custom on request\* 

**THINK BOLLARD - THINK BULLARD**

sales@gordonbullard.com  
www.bullardbollards.com  
1-877-964-4646



991 South Gull Lake Dr  
Richland, MI 49083  
USA



FIXTURE TYPE: \_\_\_\_\_

PROJECT NAME: \_\_\_\_\_

**HOW TO ORDER:**

**CODE:**

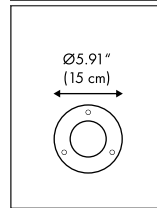
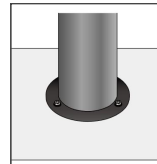
Example:  
CODE:  
BB-JNP-BL-H2-30K-DIM-SB-JC3001

BB-JNP-BL-  
H2-30K-DIM-SB-  
JC3001

**7 INSTALLATION BASE:**

Flange Base  
(included)\*

Ø: 5.91" (15 cm)

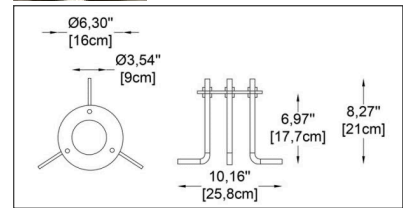


Inground Base  
(option)

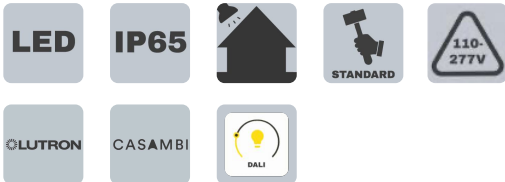
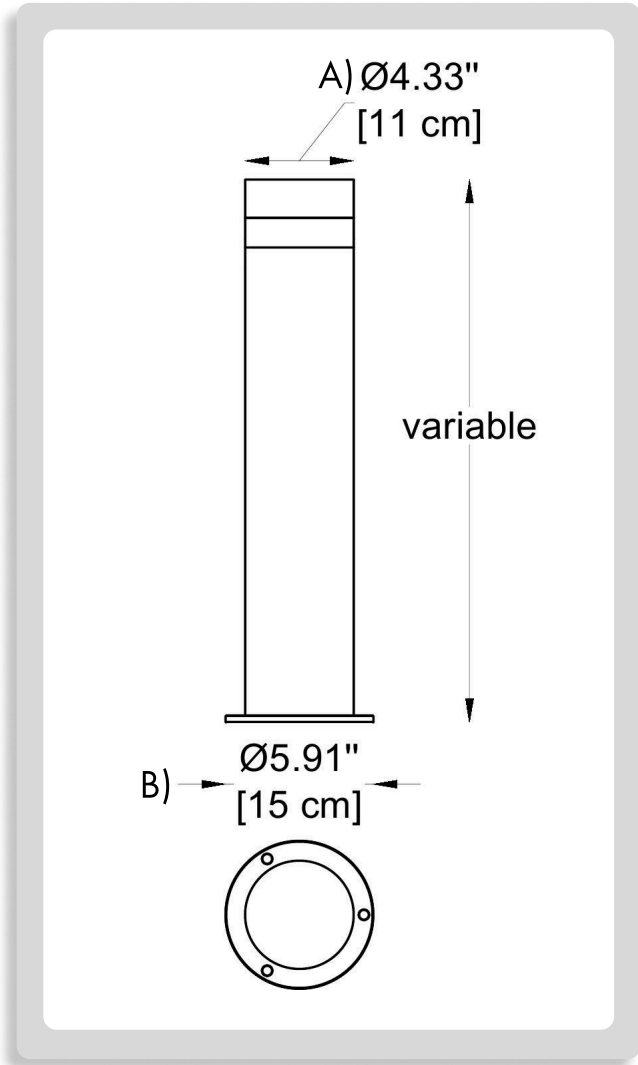
Code: **-JC3001**



L: 10.16" (25.8 cm)  
H: 8.27" (21 cm)  
Ø 1: 6.30" (16 cm)  
Ø 2: 3.54" (9 cm)



\*Flange base is a basic part  
you need to assemble  
the landing base.



**THINK BOLLARD - THINK BULLARD**

sales@gordonbullard.com  
www.bullardbollards.com  
1-877-964-4646



991 South Gull Lake Dr  
Richland, MI 49083  
USA

