



**BULLARD
BOLLARDS**
Think Bollard Think Bullard

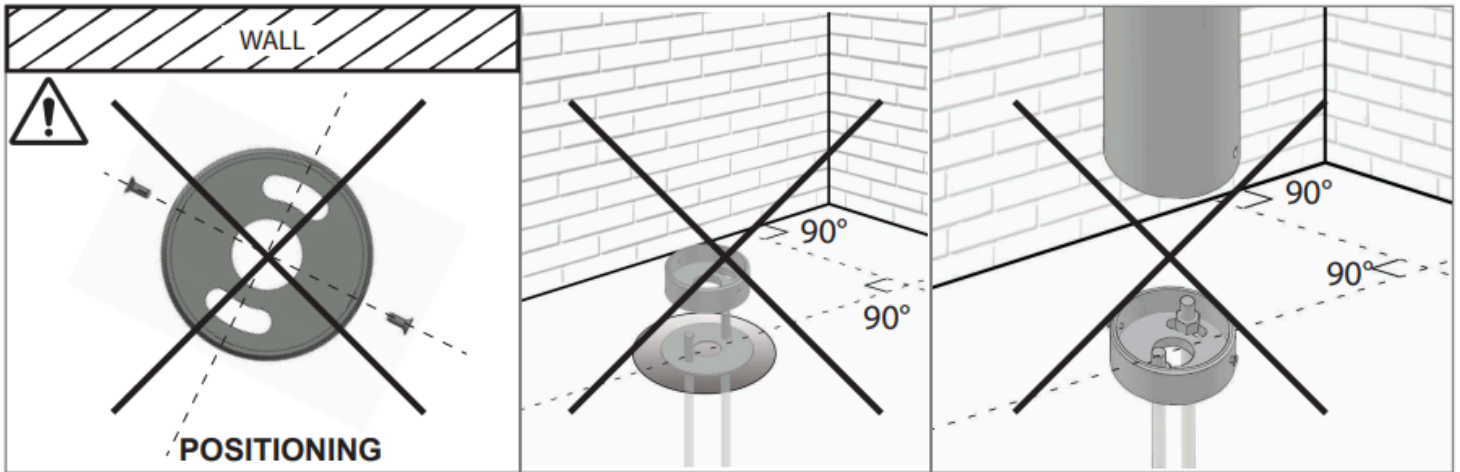
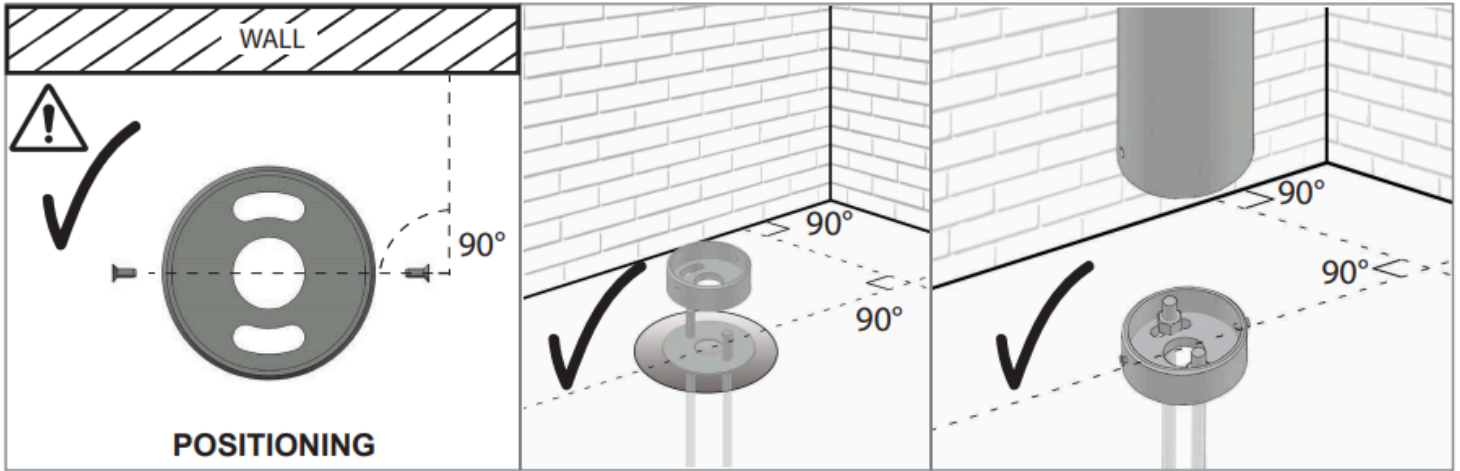
INSTALLATION INSTRUCTION

MINI ZAC

INSTALLATION TYPE:
STANDARD GRADE



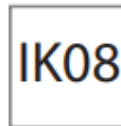
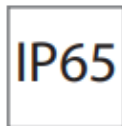
01/15/2026

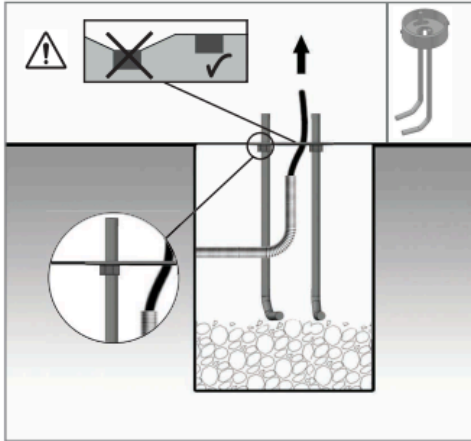


Class I

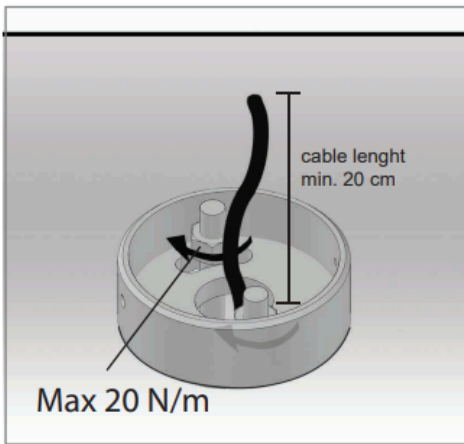


Class II

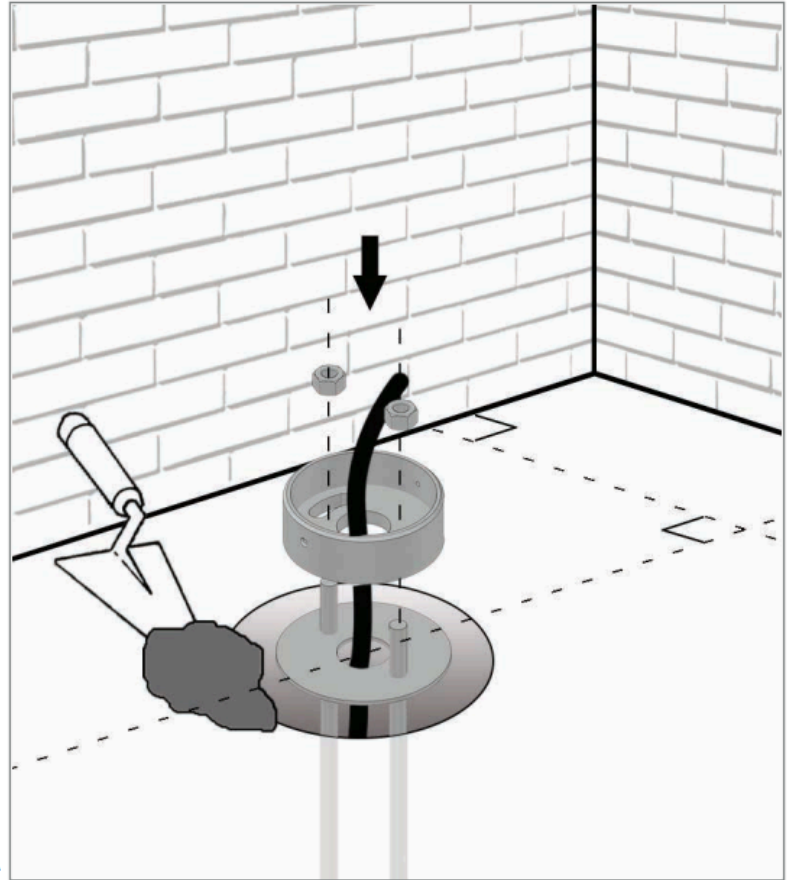




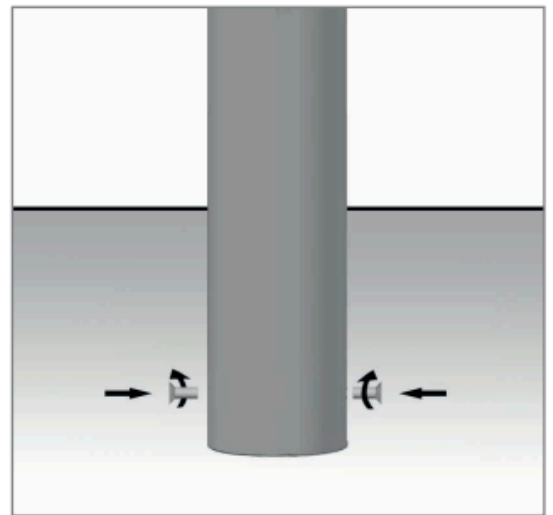
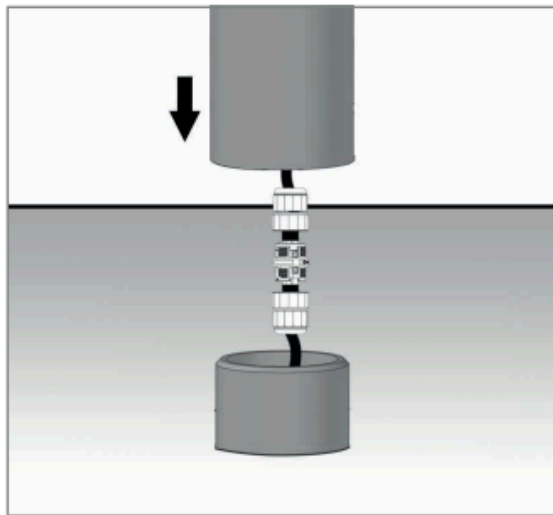
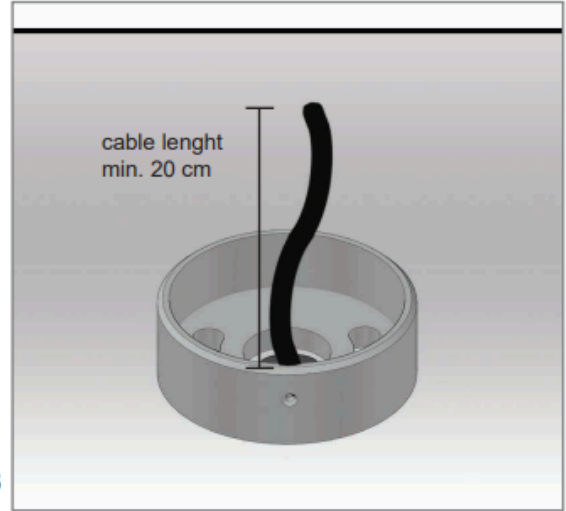
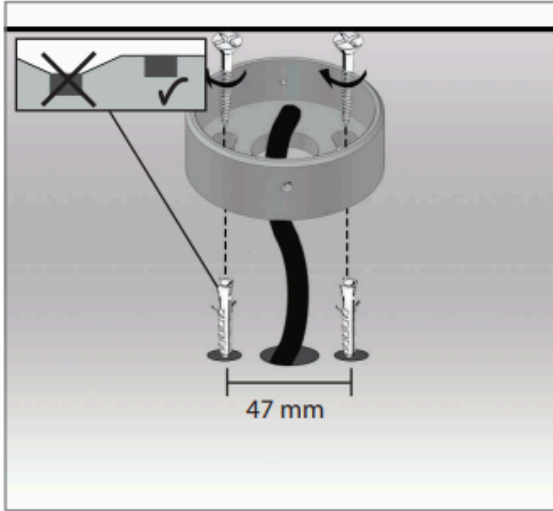
1A



3A

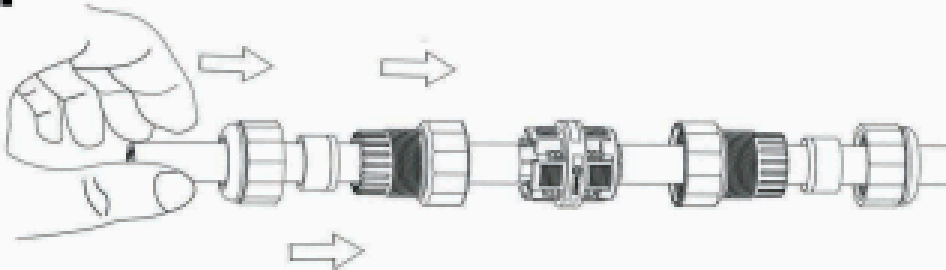


2A

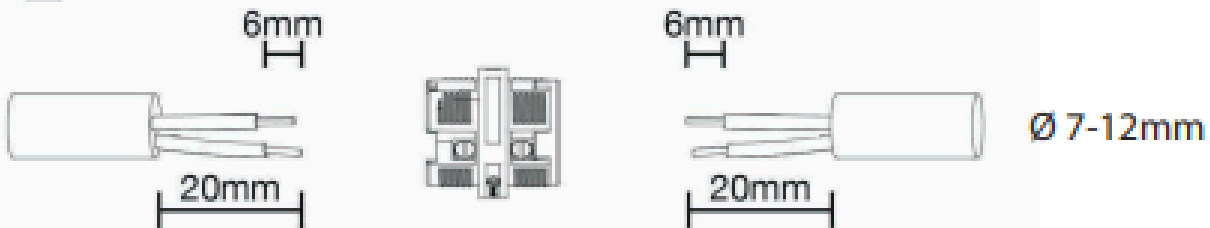


Connection scheme (optional accessory): Class II  IP67/68

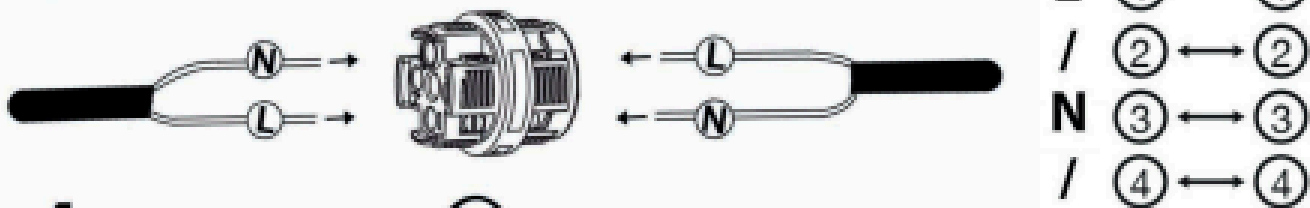
1



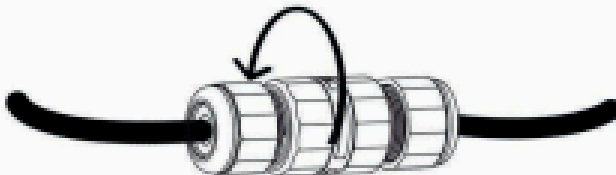
2



3



4



(GB) WARNING:

THE SAFETY OF THIS FIXTURE IS GUARANTEED ONLY IF YOU COMPLY WITH THESE INSTRUCTIONS; REMEMBER TO KEEP IN A SAFE PLACE. THE APPLIANCE MUST NOT BE TAMPERED WITH OR TRANSFORMED AND IT MUST BE INSTALLED AND USED AS SUPPLIED AND IN COMPLIANCE WITH THE NATIONAL RULES ON INSTALLATIONS. SWITCH-OFF THE POWER SUPPLY BEFORE CARRYING OUT ANY MAINTENANCE OPERATIONS. HOT PLUG-IN IS NOT ALLOW AND MAY CAUSE DAMAGE TO THE LUMINAIRE. THE LIGHT SOURCE CONTAINED IN THIS LUMINAIRE SHALL BE REPLACED ONLY BY THE MANUFACTURER OR HIS SERVICE AGENT. INSTALLATION AND SERVICE MUST BE PERFORMED BY QUALIFIED SERVICE PERSONNEL. ANY NON-COMPLIANT INSTALLATIONS WILL INVALIDATE ALL FORMS OF GUARANTEE.