



**BULLARD  
BOLLARDS**  
Think Bollard Think Bullard

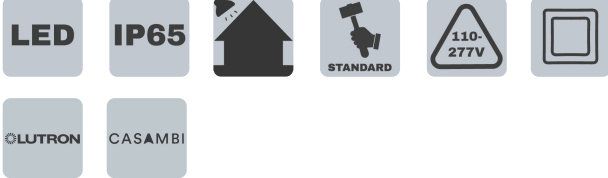
**CLESSIDRA 1**  
BB-GH150-GH





FIXTURE TYPE: \_\_\_\_\_

PROJECT NAME: \_\_\_\_\_



**GENERAL INFORMATION:**

The Clessidra is a durable urban lighting fixture crafted from extruded and die-cast aluminum for high resistance to oxidation. Featuring 360° illumination, IP65 weather protection, and integral driver placement, it ensures reliable performance outdoors. Available in multiple heights with efficient LED options (23.5W or 45.2W) and 3000K or 4000K color temperatures, it delivers excellent visual comfort. With a variety of finishes and dimming options, this sleek, modern design is ideal for pathways, plazas, and architectural spaces, offering both style and long-lasting functionality in demanding environments.

**FIXTURE TYPE:**

Urban Lights

**VOLTAGE:**

110-277V



**MATERIAL:**

Extruded aluminum EN AW-6060 T5 high resistance to oxidation,  
Die-cast aluminum EN AB 44100 highly resistant to oxidation

**OPTICAL:**

360°

**IP RATING:**

IP 65



**DRIVER POSITION:**

Integral

**WARRANTY:**

LED lighting products are warranted for 5 years.

**MAIN FEATURES:**

- High visual comfort
- Wide range of finishes
- Functional design
- Minimal design
- Shock resistant
- Operating Temperature: -22°F~122°F

**THINK BOLLARD - THINK BULLARD**

sales@gordonbullard.com  
www.bullardbollards.com  
1-877-964-4646

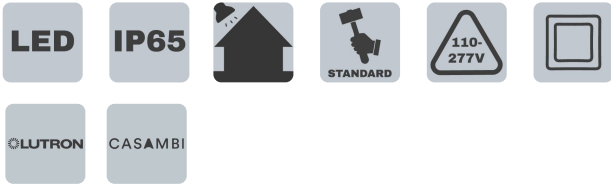
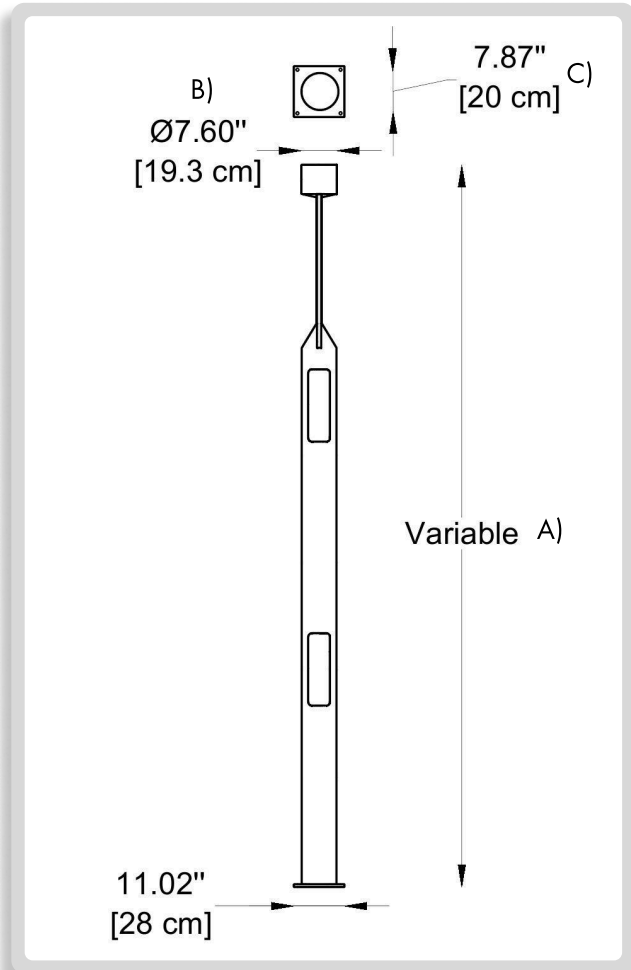


991 South Gull Lake Dr  
Richland, MI 49083  
USA



FIXTURE TYPE: \_\_\_\_\_

PROJECT NAME: \_\_\_\_\_



**HOW TO ORDER:**

**CODE:**

**Example:**  
CODE: BB-GH150-GH-240-K40-LG-DIM-AC429

BB-GH150-GH-240-K40-LG-DIM-AC429

**1 MODELS:**

**-240**

**DIMENSIONS:**

- A) Height - H: 94.49" (240 cm)
- B) Diameter - Ø: 7.60" (19.3 cm)
- C) Base Width - W: 7.87" (20 cm)
- D) Base Length - L: 11" (28 cm)

**LIGHT SOURCE:**

LED / 1 x 25.2 W / 110-277V

**-400**

**DIMENSIONS:**

- A) Height - H: 157.48" (400 cm)
- B) Diameter - Ø: 7.60" (19.3 cm)
- C) Base Width - W: 7.87" (20 cm)
- D) Base Length - L: 11" (28 cm)

**LIGHT SOURCE:**

LED / 1 x 45.2 W / 110-277V

**2 CCT & LUMENS:**

Lumens (25.2 W) | Lumens (45.2 W)

- K30** 3000K | 3100 lm | 6860 lm
- K40** 4000K | 3146 lm | 7376 lm

**3 FINISH OPTIONS:**

- AG** Anthracite grey (matt) ●
- LG** Light grey (matt) ●
- WM** White matt ●
- BM** Black matt ●
- CM** Corten matt ●
- BR** Bronze ●
- AGM** Antique grey (matt) ●
- BM** Blue matt ●
- SM** Sand matt ●
- GM** Green matt ●

sales@gordonbullard.com  
www.bullardbollards.com  
1-877-964-4646

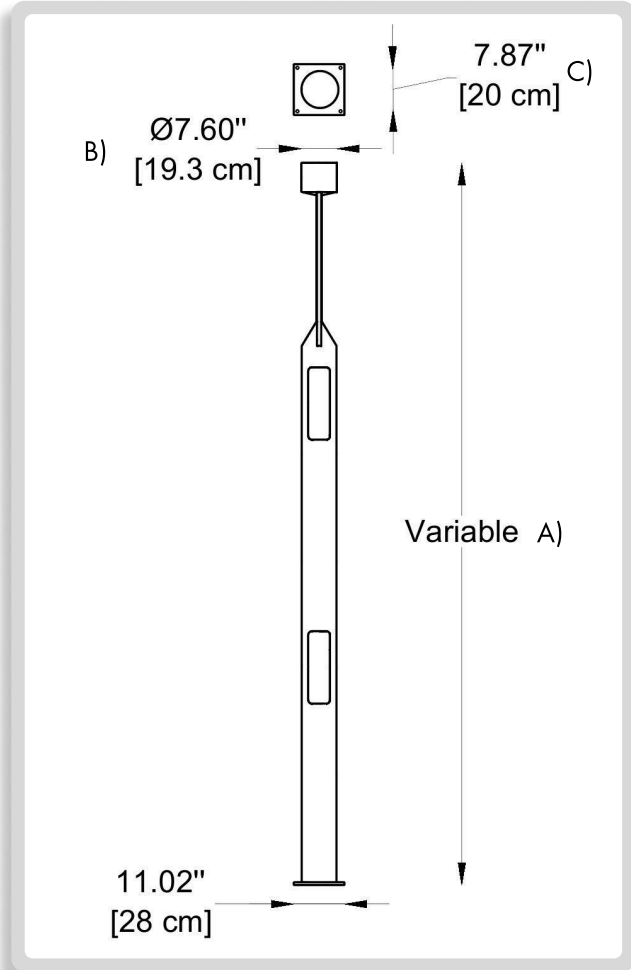


991 South Gull Lake Dr  
Richland, MI 49083  
USA



FIXTURE TYPE: \_\_\_\_\_

PROJECT NAME: \_\_\_\_\_



**HOW TO ORDER:**

**CODE:**

Example:  
CODE: BB-GH150-GH-240-K40-LG-DIM-AC429

BB-GH150-GH-240-K40-LG-DIM-AC429

**4 DIMMING OPTIONS:**

- NON NON-Dimmable
- DIM 0-10V
- CAS Casambi
- LUT Lutron
- DAL Dali

**5 ACCESSORIES:**

**-AC429**  
Iron anchorage base  
Clessidra / Tret up / Tret  
Sky



LED
IP65
INDOOR
STANDARD
110-277V
RECESSED

LUTRON
CASAMBI

sales@gordonbullard.com  
www.bullardbollards.com  
1-877-964-4646



991 South Gull Lake Dr  
Richland, MI 49083  
USA