



**BULLARD  
BOLLARDS**  
Think Bollard Think Bullard

# BUNNY PURE 1L 45 (INGROUND LUMINAIRES)



FIXTURE TYPE: \_\_\_\_\_

PROJECT NAME: \_\_\_\_\_

NOTES:



**GENERAL INFORMATION:**

The Bunny Pure 1L 45 by Bullard Bollards brings a minimalist yet rugged presence to outdoor lighting, engineered to sit nearly flush with the ground while casting a subtle grazing beam along pathways and architectural edges. Its stainless steel AISI316L body, enhanced with silicone gaskets and a water-lock system, stands resilient against coastal air, rain, and the daily cycles of on/off operation. Designed for ease of installation with a rough-in housing that safeguards wiring, it invites careful illumination without drawing attention to itself. Perfect for guiding footsteps in gardens, plazas, and promenades, this recessed luminaire blends precision lighting with enduring performance

**FIXTURE TYPE:**

Inground Luminaires

**LIGHTING:**

LED

**INPUT VOLTAGE:**

110-277V

**MATERIAL:**

Stainless steel AISI 316L  
Extruded aluminum EN AW-6060 T5 high resistance to oxidation

**GASKETS:**

Silicone gaskets

**ROUGH IN HOUSING:**

Thermoplastic to be ordered separately

**DRAINAGE:**

20.0cm of gravel or draining material. Alternatively, draining piping system.

**STATIC LOAD:**

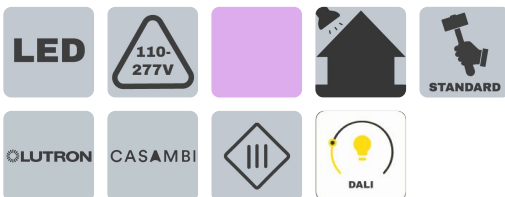
1102.31 lb WalkOver

**CRI:**

>80

**DRIVER POSITION:**

Remote



**THINK BOLLARD - THINK BULLARD**

sales@gordonbullard.com  
www.bullardbollards.com  
1-877-964-4646



991 South Gull Lake Dr  
Richland, MI 49083  
USA

FIXTURE TYPE: \_\_\_\_\_

PROJECT NAME: \_\_\_\_\_

NOTES:



**IP RATING:**

IP68

**APPLINCE CLASS:**

III

**CUTOUT SHAPE:**

Round

**CABLE ENTRY:**

Nylon cable gland M12 Ø 0.35/0.7 cm

**CABLE TYPE:**

FR5FOEM7-AD8 2x0.005cm2

**WATER-LOCK SYSTEM:**

Cable gland with anti-moisture suction system, preventing the capillary rise of water or condensation along the cable and ensuring maximum protection of the luminaire body and electrical components

**CORD LENGTH:**

50 cm

**LIGHT DISTRIBUTION:**

55° x 30° Other

**BEAM DIRECTIONABILITY:**

Fixed optics

**DIFFUSER MATERIAL/TEMPERATURE:**

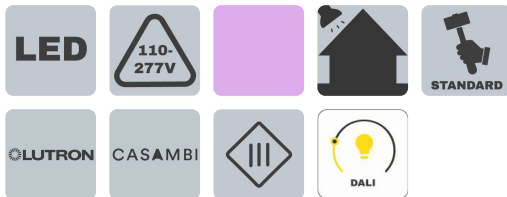
Technopolymer / < 313.15 K (< 40 °C)

**WARRANTY:**

LED lighting products are warranted for 5 years.

**MAIN FEATURES:**

- Wide range of finishes
- Evocative / Functional design
- Resistant to vandalism
- Reduced depth of recess
- Operating Temperature: 253.15 K ÷ 308.15 K (-20 °C ÷ +35 °C)
- Increased temperature to 323.15 K (50 °C)
- \* upon request previous specific components and test



**THINK BOLLARD - THINK BULLARD**

sales@gordonbullard.com  
www.bullardbollards.com  
1-877-964-4646

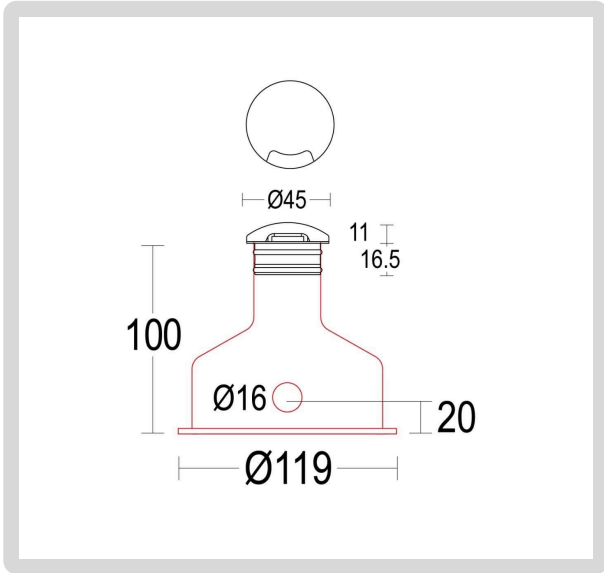


991 South Gull Lake Dr  
Richland, MI 49083  
USA



FIXTURE TYPE: \_\_\_\_\_

PROJECT NAME: \_\_\_\_\_



**HOW TO ORDER:**

**CODE:**

**Example:**  
**CODE: BB-1379.00BAXO-GH-K30-24V-DIM-15-AC204-AC296-AC611**

BB-1379.00BAXO-GH  
-K30-24V-DIM  
-15-AC204-  
AC296-AC611

**1 DIMENSIONS:**

Diameter - Ø: 1.77" (4.5 cm)  
Height - H: 0.43" (1.1 cm)  
Recessed hole diameter - Ø: 1.42" (3.6 cm)  
Recessed depth - h: 1.30" (3.3 cm)

**2 BEAM ANGLE:**

55° x 30°

**3 LIGHT SOURCE:**

LED / 1 x 1.5 W

**4 CCT&LUMENS:**

**-K30** 3000K = 170 lm  
**-K40** 4000K = 180 lm

**5 CONTROL GEAR / OPERATION RANGE:**

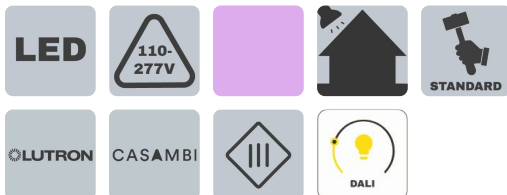
**-24V** 24 V DC  
**-500** 500 mA

**6 DIMMING OPTIONS:**

**-NON** NON-Dimmable  
**-DIM** 0-10V  
**-CAS** Casambi  
**-LT** Lutron  
**-DAL** Dali

**7 FINISH OPTIONS:**

**-15** Stainless steel  
**-Cus\*** Custom on request



**THINK BOLLARD - THINK BULLARD**

sales@gordonbullard.com  
www.bullardbollards.com  
1-877-964-4646



991 South Gull Lake Dr  
Richland, MI 49083  
USA

FIXTURE TYPE: \_\_\_\_\_

PROJECT NAME: \_\_\_\_\_

**HOW TO ORDER:**

**CODE:**

**Example:  
CODE: BB-1379.00BAXO-GH-K30-24V-DIM  
-15-AC204-AC296-AC611**

BB-1379.00BAXO-GH  
-K30-24V-DIM  
-15-AC204-  
AC296-AC611

**8 ACCESSORIES:**

**-AC204**

IP 68 fast connector 4P



**-AC205-IP66**

IP66 remote power supply box



**-AC296**

Wall recessed rough-in housing 503



**-AC611**

Rough-in housing 40x105



**9 PHOTOMETRY:**



55° x 30° / 3000K



55° x 30° / 4000K



**THINK BOLLARD - THINK BULLARD**

sales@gordonbullard.com

www.bullardbollards.com

1-877-964-4646



991 South Gull Lake Dr

Richland, MI 49083

USA