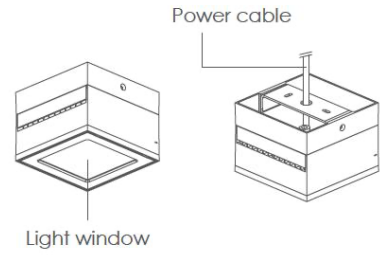


SHAM



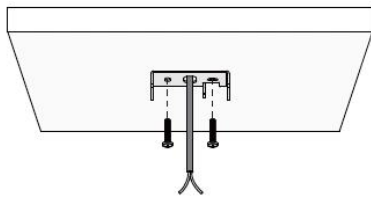
Data Sheet:

Input Voltage (V): 110-277
 IK 05/IK 06

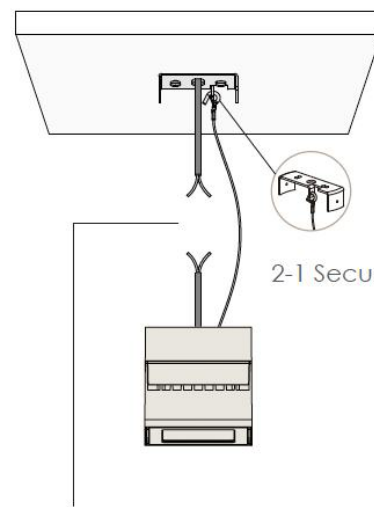


Installation steps

Step 1



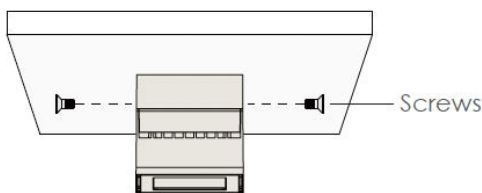
Step 2



2-1 Secure the safety hook

2-2 Connect the power cable

Step 3



Secure the light fixture