

BULLARD
BOLLARDS

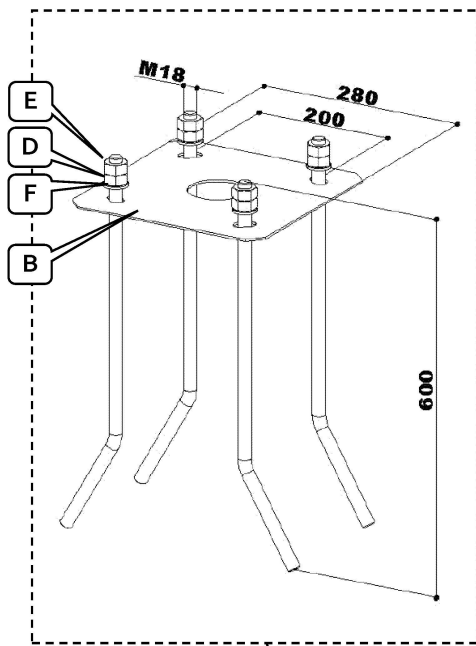


CLESSIDRA

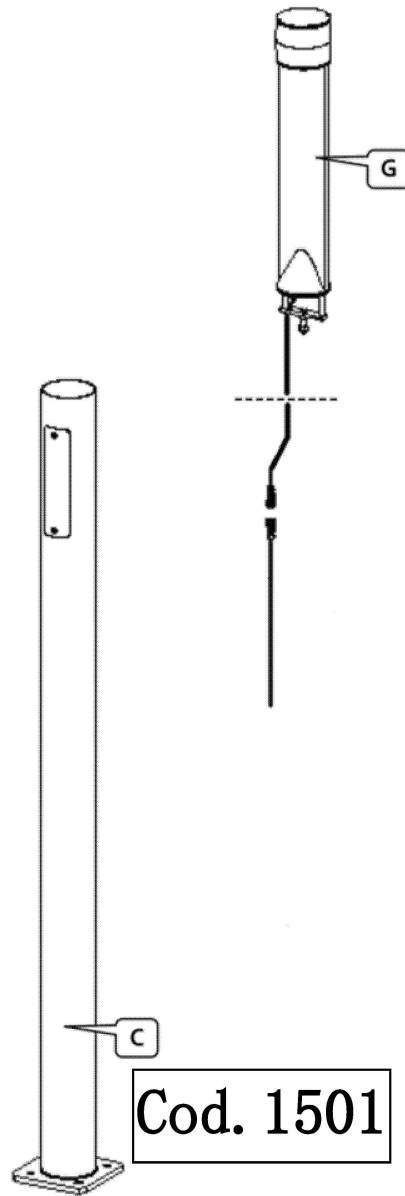
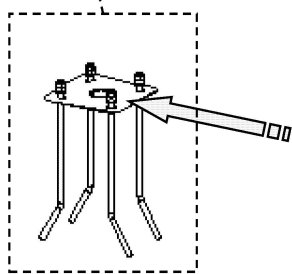
sales@gordonbullard.com
www.bullardbollards.com
1-877-964-4646



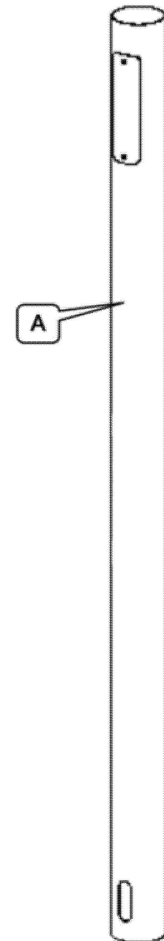
991 South Gull Lake Dr
Richland, MI 49083
USA



Cod. 429




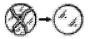
Cod. 1501

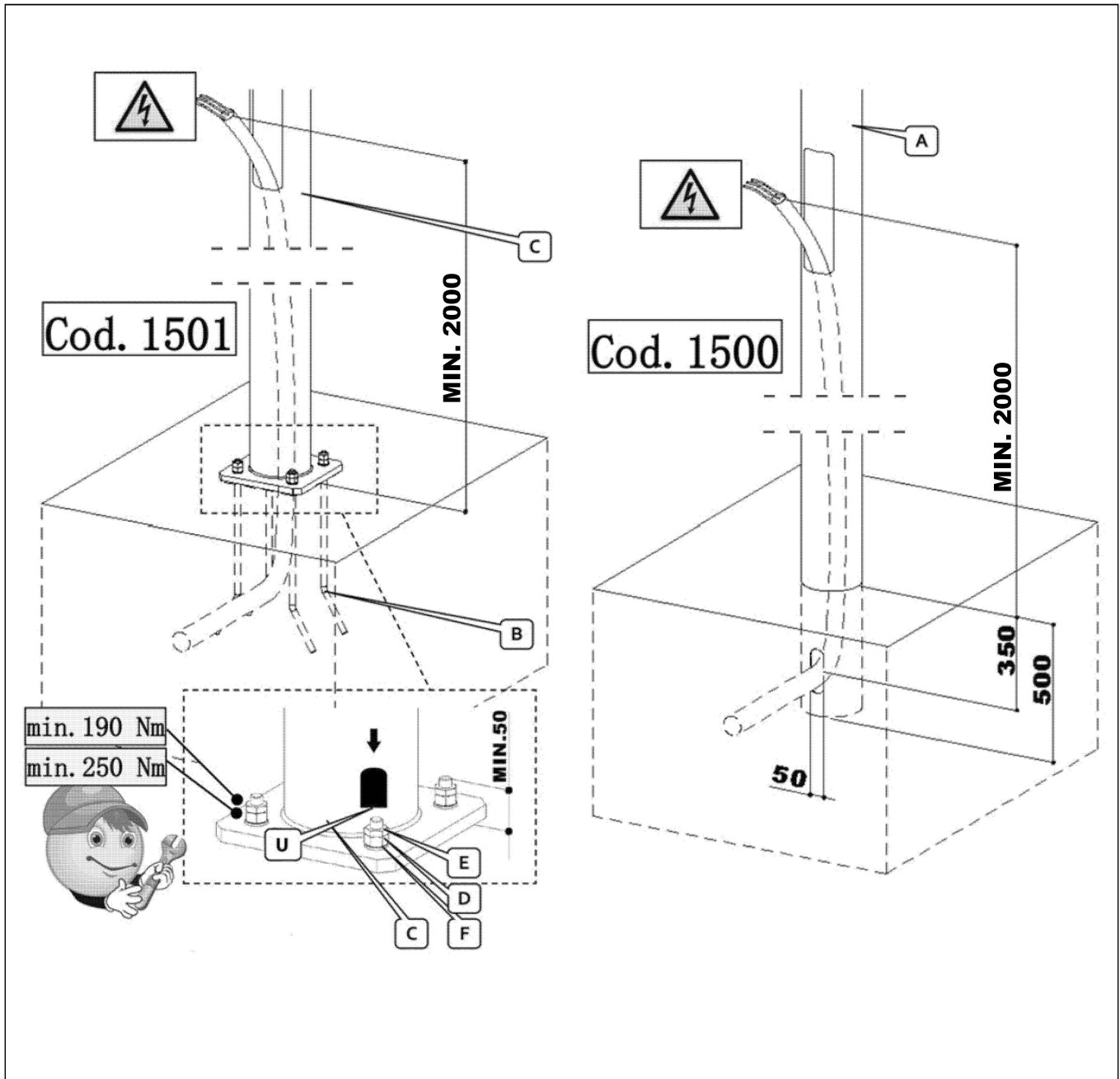
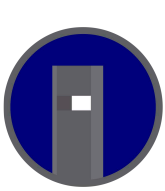


Cod. 1500

(ENG) ATTENTION:

- Installation must be carried out by trained and qualified personnel only.
- Save these instructions after installation for future reference.

- Attention: before carrying out the grid connections during assembly or any other intervention on the device make sure the voltage is off.
- This is a **CLASS 1** device:
Connect to the grounding circuit of the electrical wiring. 
- Device suitable for both indoor and outdoor environment.
- "The appliance must only be used if complete with its protective screen" 
- In the event of breaking glass contacts **exclusively** exclusively Bullard Bollards.



Code 429 (anchoring base (B), bolts M18, nuts and washers)

Earth the anchoring base (B) (dimension: 280mm x 280mm), including four (4) M18 bolts (thickness: 15mm) so that the flange is positioned at ground level .

Note: pay close attention to the position of the anchoring base in order to keep it flat and clean the surface of any possible cement residue.

For the correct fastening and stability of the pole, a cement plinth has to be built*. Make sure to create a lateral passage at a depth of about 350mm for the power supply cables.

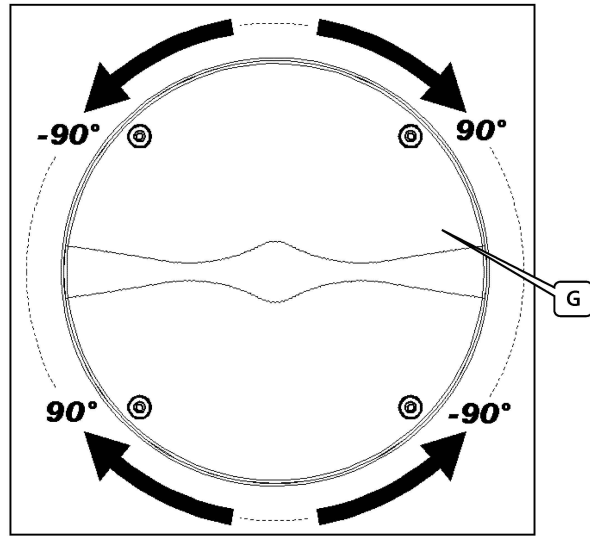
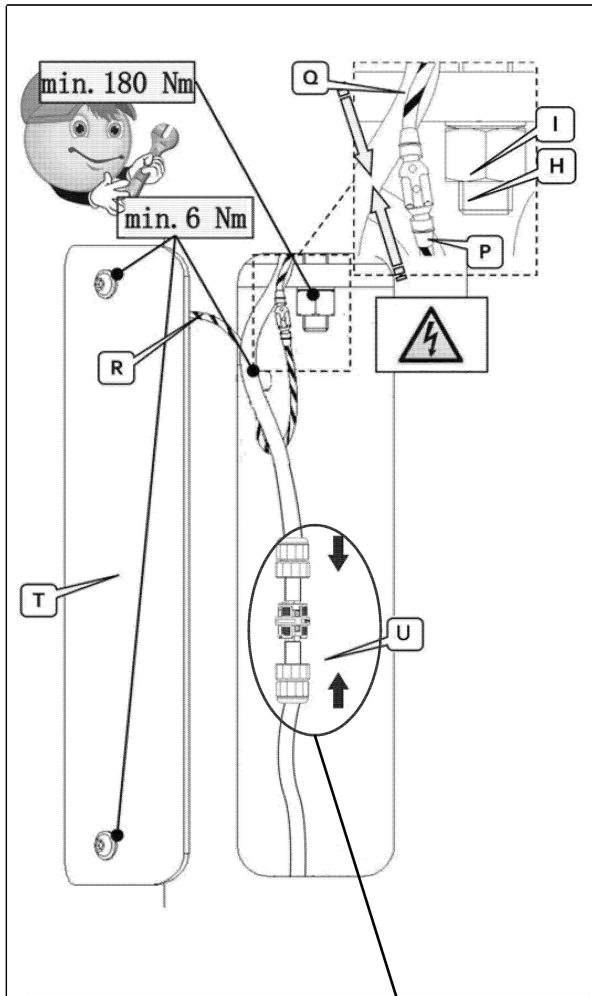
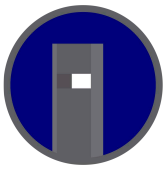
Attention: The power supply cable must be out of the ground for a length of at least 2000mm.

Attention: The four (4) M18 bolts must be out of the ground for a length of at least 50mm.

* Check the solidity of the ground in which the pole will be fixed as well as all other indications regarding the anchoring plinths size, as specified in the local regulations for illumination poles.

Hoist the pole (C) above the anchoring base (B) and fix it by tightening (min.250 Nm) four (4) tall nuts (D) and four (4) anti-loose short lock nuts (E) (min.190 Nm).

Remember to put the four (4) elastic washers (F) under the relative tall nuts (D).



Insert the pole head (**G**) in the upper part of the pole (**A-C**). Direct (rotate) the pole head by tightening (min.180 Nm) the M16 nuts (**H**). Remember to put the elastic washer (**I**) underneath the nut (**H**).

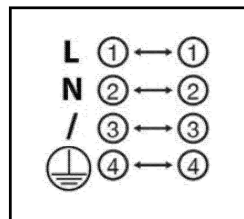
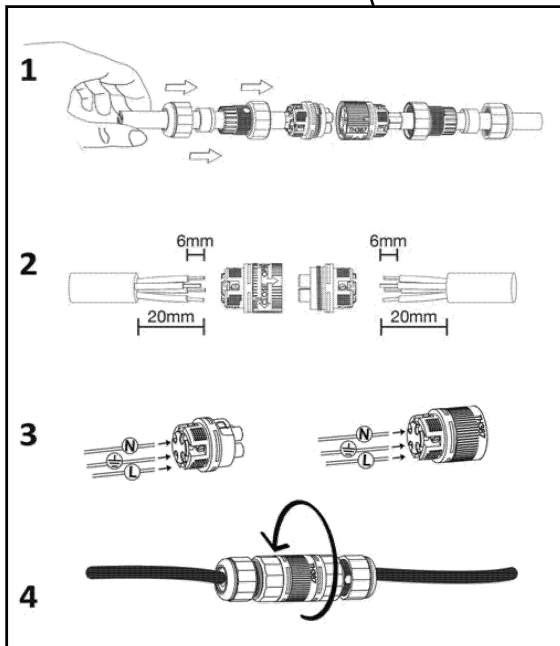
Couple the 5 pole connectors (**L-M**) and the 3 pole connectors (**N-O**). The female 3 pole connector (**N**) comes from the terminal block (**V**) located in the cover plate (**T**) below.

Connect the ground cables (**P-Q**) coming from the pole head (**G**) with the cable coming from the pole traverse (**A-C**).

Hang the power supply units (**U**) to the pole traverse (**A-C**).

ATTENTION: Check (M8 screw tightening min.6 Nm) that the ground cables (**R-S**) coming from the cover plates (**T**) are fixed correctly to the pole traverse (**A-C**).

The connection (**U**) must respect the following instruction scheme:



Close the cover plates (**T**) on the pole (**A-C**) tightening (min.6 Nm) the two M8 screws.