



**BULLARD
BOLLARDS**
Think Bollard Think Bullard

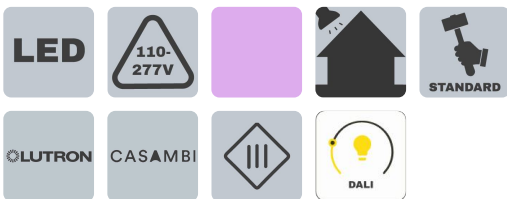
MICROBUNNY PURE 1L 32 (INGROUND LUMINAIRES)



FIXTURE TYPE: _____

PROJECT NAME: _____

NOTES:



GENERAL INFORMATION:

A quiet line of light, barely there by day, becomes a guiding presence after dusk—MicroBunny Pure 1L 32 by Bullard Bollards transforms architecture into atmosphere. Its slim, disciplined geometry disappears into the surface, releasing a precise blade of illumination that traces paths with intention rather than excess. Engineered to endure the elements yet refined to the smallest detail, it balances resilience with a poetic sense of restraint. More than a fixture, it is a signature of light—subtle, deliberate, and unmistakably contemporary.

FIXTURE TYPE:

Inground Luminaires

LIGHTING:

LED

INPUT VOLTAGE:

110-277V

MATERIAL:

Stainless steel AISI 316L
 Extruded aluminum EN AW-6060 T5 high resistance to oxidation

GASKETS:

Silicone gaskets

ROUGH IN HOUSING:

Thermoplastic to be ordered separately

DRAINAGE:

20.0cm of gravel or draining material. Alternatively, draining piping system.

STATIC LOAD:

1102.31 lb WalkOver

CRI:

>80

DRIVER POSITION:

Remote

THINK BOLLARD - THINK BULLARD

sales@gordonbullard.com
 www.bullardbollards.com
 1-877-964-4646



991 South Gull Lake Dr
 Richland, MI 49083
 USA

FIXTURE TYPE: _____

PROJECT NAME: _____

NOTES:



IP RATING:

IP68

APPLINCE CLASS:

III

CUTOUT SHAPE:

Round

CABLE ENTRY:

Nylon cable gland M12 Ø 0.35/0.7 cm

CABLE TYPE:

FR5FOEM7-AD8 2x0.005cm2

WATER-LOCK SYSTEM:

Cable gland with anti-moisture suction system, preventing the capillary rise of water or condensation along the cable and ensuring maximum protection of the luminaire body and electrical components

CORD LENGTH:

50 cm

LIGHT DISTRIBUTION:

10° x 55° Other

BEAM DIRECTIONABILITY:

Fixed optics

DIFFUSER MATERIAL/TEMPERATURE:

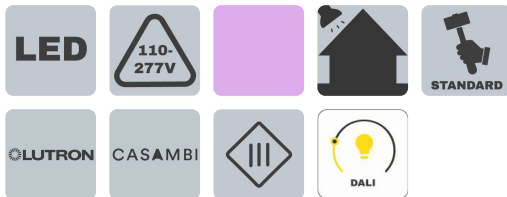
Technopolymer / < 313.15 K (< 40 °C)

WARRANTY:

LED lighting products are warranted for 5 years.

MAIN FEATURES:

- Wide range of finishes
- Evocative / Functional design
- Resistant to vandalism
- Reduced depth of recess
- Operating Temperature: 253.15 K ÷ 308.15 K (-20 °C ÷ +35 °C)
- Increased temperature to 323.15 K (50°C)
- * upon request previous specific components and test



THINK BOLLARD - THINK BULLARD

sales@gordonbullard.com
www.bullardbollards.com
1-877-964-4646

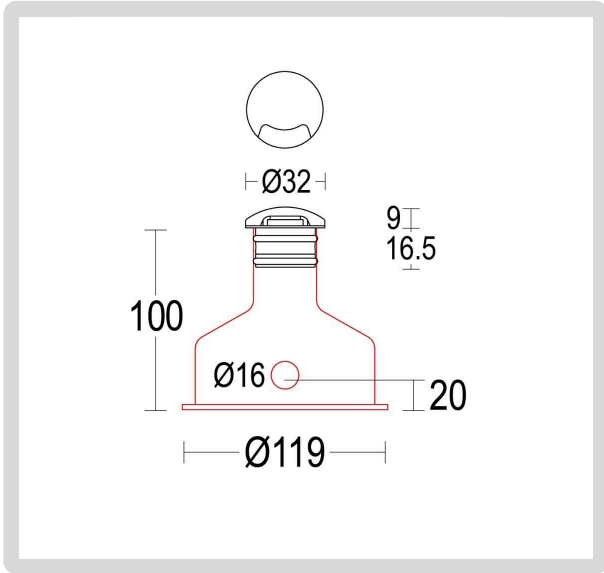


991 South Gull Lake Dr
Richland, MI 49083
USA



FIXTURE TYPE: _____

PROJECT NAME: _____



HOW TO ORDER:

CODE:

Example:
CODE: BB-1377.00BAXO-GH-K30-24V
-DIM-15-AC204-AC610

BB-1377.00BAXO-GH
-K30-24V
-DIM-15-AC204-AC610

1 DIMENSIONS:

Diameter - Ø: 1.26" (3.2 cm)
Height - H: 0.35" (0.9 cm)
Recessed hole diameter - Ø: 1.02" (2.6 cm)
Recessed depth - h: 1.30" (3.3 cm)

2 BEAM ANGLE:

10° x 55°

3 LIGHT SOURCE:

LED / 1 x 1 W

4 CCT&LUMENS:

-K30 3000K = 120 lm
-K40 4000K = 130 lm

5 CONTROL GEAR / OPERATION RANGE:

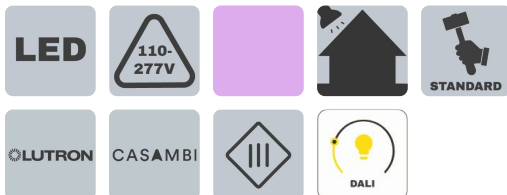
-24V 24 V DC
-350 350 mA

6 DIMMING OPTIONS:

-NON NON-Dimmable
-DIM 0-10V
-CAS Casambi
-LT Lutron
-DAL Dali

7 FINISH OPTIONS:

-15 Stainless steel
-Cus* Custom on request



THINK BOLLARD - THINK BULLARD

sales@gordonbullard.com
www.bullardbollards.com
1-877-964-4646



991 South Gull Lake Dr
Richland, MI 49083
USA

FIXTURE TYPE: _____

PROJECT NAME: _____

HOW TO ORDER:

CODE:

**Example:
CODE: BB-1377.00BAXO-GH-K30-24V
-DIM-15-AC204-AC610**

BB-1377.00BAXO-GH
-K30-24V
-DIM-15-AC204-AC610

8 ACCESSORIES:

-AC204

IP 68 fast connector 4P



-AC205-IP66

IP66 remote power supply box



-AC295

Wall recessed rough-in housing 503



-AC610

Rough-in housing 30x105



9 PHOTOMETRY:



10° x 55° / 3000K



10° x 55° / 4000K



THINK BOLLARD - THINK BULLARD

sales@gordonbullard.com
www.bullardbollards.com
1-877-964-4646



991 South Gull Lake Dr
Richland, MI 49083
USA