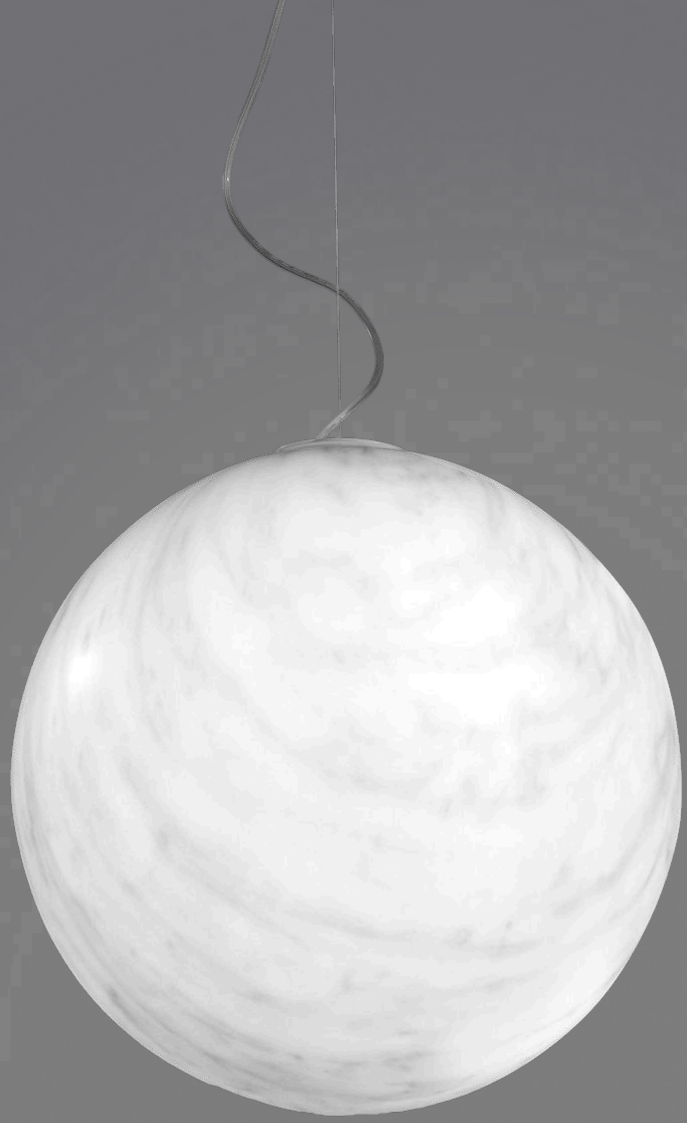




**BULLARD  
BOLLARDS**  
Think Bollard Think Bullard



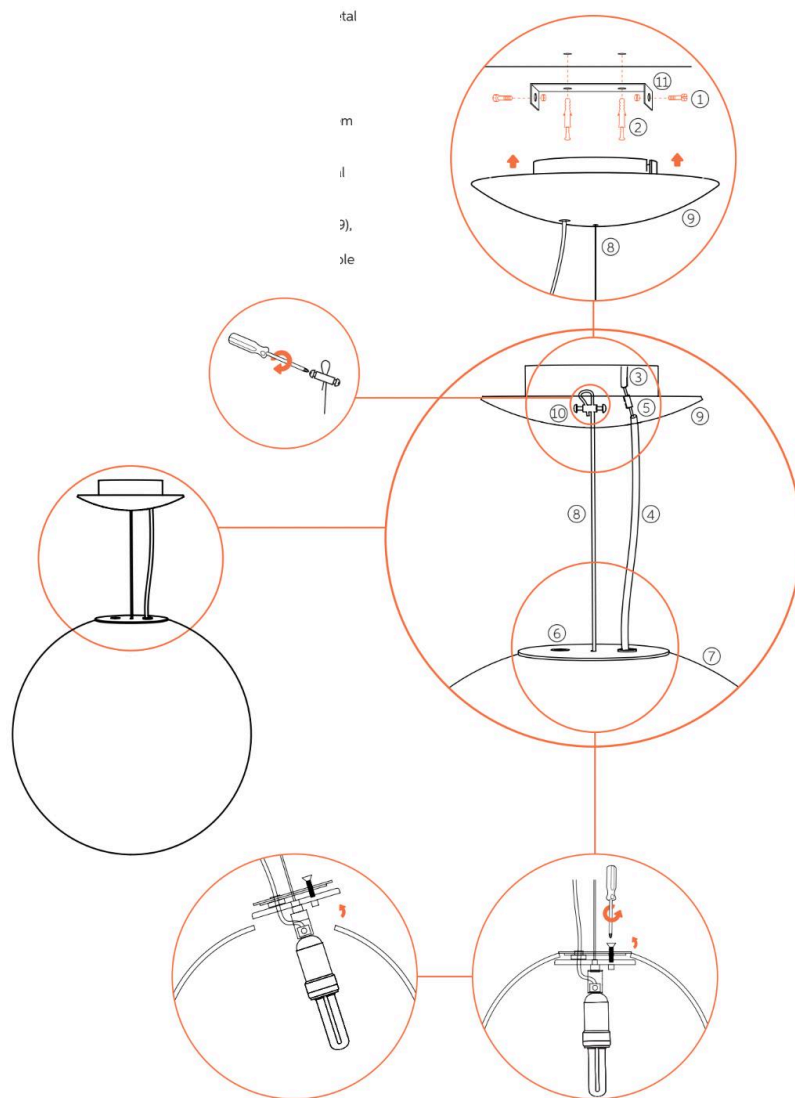
# MINERAL SUSPENDED

INSTALLATION TYPE:  
PENDANT-MOUNT



Lock the screws and bolts (1) to the side of the metal bracket supplied (11).

- Fix the metal bracket (11) to the ceiling using the rawlplugs (2) (not included).
- Connect the lamp's cable (4) to the electrical system (3) with the power terminal (5).
- Hang the cap (9) to the side screws (1) in the metal bracket (11).
- Insert the end of the steel cables (8) into the cap (9), as shown in the drawing, lock the cap (9) as shown in the drawing, and secure them with the cable clamps provided (10).



BULB REPLACEMENT

Warning: the appropriate use of these instructions ensures the good maintenance of the product.

Always consult the technical sheet of the product on the [www.bullardbollards.com](http://www.bullardbollards.com) website.

Before any operation on the fixture, please disconnect the power supply.

Assembly and maintenance of the fixture must be performed carefully so components are not damaged.

Replacement bulbs must be the same type and wattage as specified in the technical sheet.

Use LED bulbs only.

In case of damage to the feeding cable, please contact a Bullard Bollards dealer or qualified personnel for replacement. Keep away from excessive heat sources.

Avoid any improper use. Do not stand on the products. When the product has to be moved, lift the product off the ground in order to avoid damages.

Always protect the product with its original packaging when not in use for a long time

## WARRANTY

Bullard Bollards products are guaranteed against all manufacturing faults, granted that the items are appropriately used, for twenty-four (24) months from the date of purchase upon presentation of the invoice. LEDs are guaranteed for twelve (12) months from the date of purchase.

Warranty doesn't include parts that are subject to wear and tear due to usage, batteries when provided, wiring and electrical parts that do not have manufacturing faults.

Bullard Bollards declines any liability to damages caused to things or persons by an illegitimate use of the product.

Bullard Bollards won't accept any returned goods without having checked the kind of defects first.

## MAINTENANCE & CLEANING

**Check the material composition of the product on the technical sheet on [www.bullardbollards.com](http://www.bullardbollards.com)**

To prevent dust and dirt from sticking to the plastic surfaces, periodically clean the products.

Avoid using ethanol or any liquids containing acetone, trichloroethylene or ammonia (solvents in general).

**POLYETHYLENE:** clean the product with a damp cloth and neutral liquid soap diluted in water.

In case of persistent stains, use a scrub eraser (melamine foam - Scotch-Brite Easy Eraser or similar) or a hot water pressure washer.

Spray the cleaning product on the surface, rub with a damp cloth and rinse abundantly with hot water.

**POLYURETHANE:** clean the products with a soft cloth and neutral liquid soap diluted in water, especially if the surface comes into contact with highly coloured substances (such as coffee, tea, oil, etc.).

**POLYPROPYLENE:** clean the products with a damp cloth and neutral liquid soap diluted in water and degreaser.

Rinse with plenty of water.

Lacquered version: periodically clean with a polish cleaner, gently rubbing with soft cloth/cotton wool.

Fabrics can be cleaned with a damp cloth, neutral liquid soap and water.

For metal parts use specific cleaners.

For HPL, clean the surface with a damp cloth and neutral liquid soap diluted in water.

**P.3**

[sales@gordonbullard.com](mailto:sales@gordonbullard.com)

[www.bullardbollards.com](http://www.bullardbollards.com)

1 877-964-4646



991 South Gull Lake Dr.

Richland, MI 49083

USA