



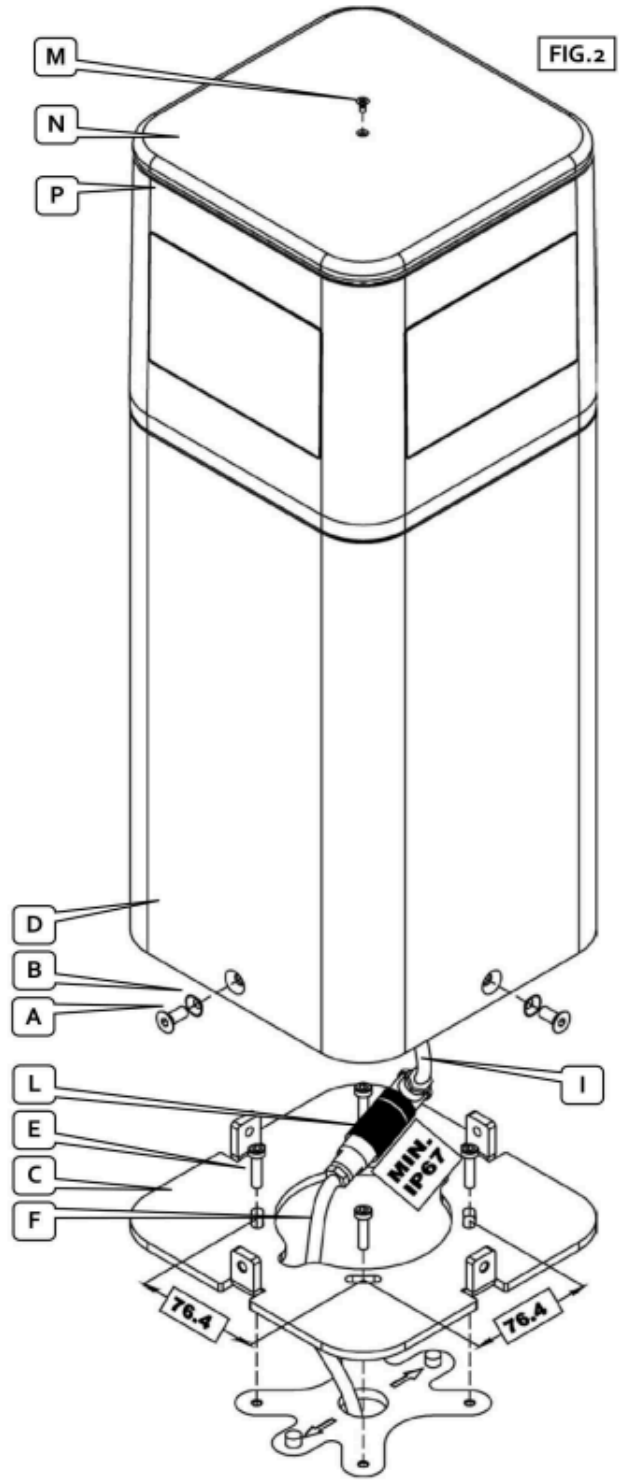
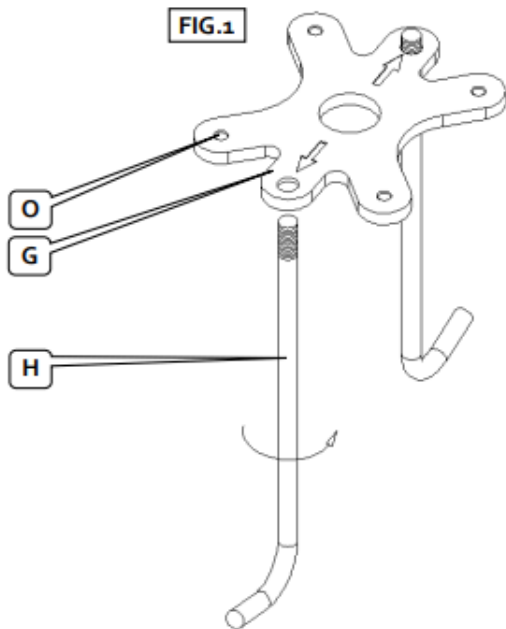
**BULLARD
BOLLARDS**
Think Bollard Think Bullard

INSTALLATION INSTRUCTION

POLBIVIO


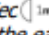

INSTALLATION TYPE:
STANDARD GRADE





GB (GENERAL INSTRUCTIONS)

GB WARNING:
- Installation work must only be carried out by skilled, authorised staff.
- Keep these instructions in a safe place even after installation.

- Use only lamps with power and of the type stated in the appliance's nameplate data.
- Warning: Make sure power has been disconnected before connecting up the equipment to the mains, during assembly, when replacing valves or before other operations on the equipment.
- The appliance only operates if supplied at the voltage stated on its nameplate.
- The appliance is suitable for direct installation on surfaces that are normally inflammr. 
- Observe the minimum distance from illuminated objec[] 
- The appliance is classified as **CLASS I** : connect to the earth circuit of the electric system.
- This appliance is suitable for cascade operation (with a connection system **not included**)
- The appliance is suitable for indoor and outdoor operation.
- Use only lamps with built-in UV screen (halogen and iodides).
- **"The equipment must be used only if complete with protective screen(s)"** 
- In the event of breakage, replace the body (P) of the appliance (**SCREENS ARE NOT REPLACEABLE**)

STEP 1

Open the appliance by undoing the four (4) M6 screws (A) supplied with four (4) countersunk serrated washers (B) that fix the base (C) to the extruded part (D).

STEP 2

Make four (4) holes on the mounting surface to allow insertion of four (4) expansion plugs (**not supplied**) at the distances apart shown in **FIGURE 2**.

We recommend using "Fischer" M5 metal expansion plugs with screws of at least Class 8.8 (H) not included

For a correct application we recommend the following:

- Choose the right length and type of plug based on the load (max. 0.2 m² exposed surface) and to the support that the appliance will be fastened to (concrete-cement, paving stones, etc.).

Position the base (C) on top of the holes with the expansion anchors already inserted in the ground and fasten it by tightening the four (4) screws (E) (we recommend M5).

Remember to run the power cable (F) through the centre slit in the base (C).

If a base plate is available for anchoring using tie rods (accessory **not included**) screw in the two (2) tie rods (H) onto the base plate (G) **FIGURE 1**.

Make a hole in the ground in the desired position and fill it with concrete. Insert the base plate (G) with the tie rods (H) screwed in into the fresh concrete. Make sure that the base plate (G) is flush with the ground, without blocking the four (4) threaded holes (O) as shown in **FIGURE 2**.


Make sure the power cable (F) exits the centre of the central slit on the base plate (G).

Note: the orientation of the base plate (G) determines the direction of the light beam. To facilitate positioning, two arrows are engraved that indicate the light direction exit(s), as shown in **FIGURES 1 and 2**.

Position the base (C) on top of the four (4) threaded holes (O) on the base plate (G) and tighten the four (4) screws (E) (M5 screws included with the accessory).

STEP 3

Wire the appliance equipped with cable (I) to the electric mains using a connection system (L) (**not included**) that is compliant with the characteristics of the appliance (we recommend a minimum rating of **IP 67**).

- L ⇨ line conductor, brown.
-  ⇨ earth conductor, yellow/green.
- N ⇨ neutral conductor, blue.

STEP 4

Fasten the appliance by tightening the four (4) M6 screws (A) supplied with four (4) countersunk toothed washers (B) to the base (C) with the extruded part (D), making sure the connection system (L) and the wires (F-I) remain inside the extruded part (D).