



**BULLARD
BOLLARDS**
Think Bollard Think Bullard

INSTALLATION INSTRUCTION
01/28/2026

BEREL



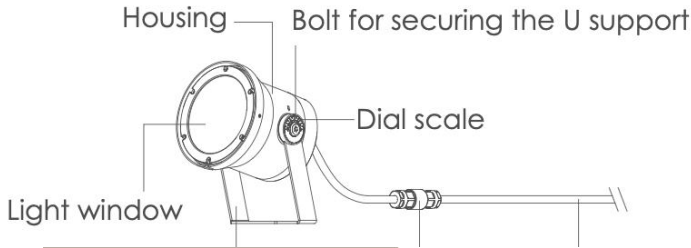
EXTERIOR DETAILS

Data Sheet:

Input Voltage (V): 110-277

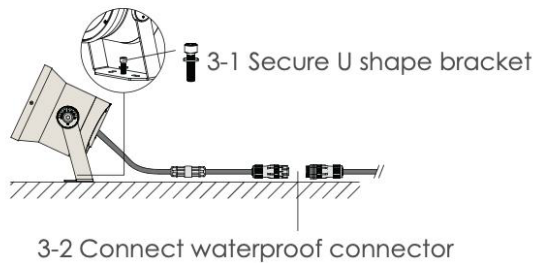
IK: 07

Luminaire

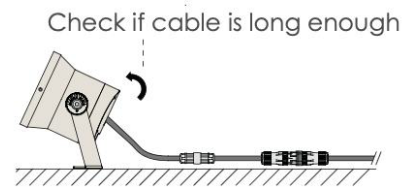


Installation steps

Step 1

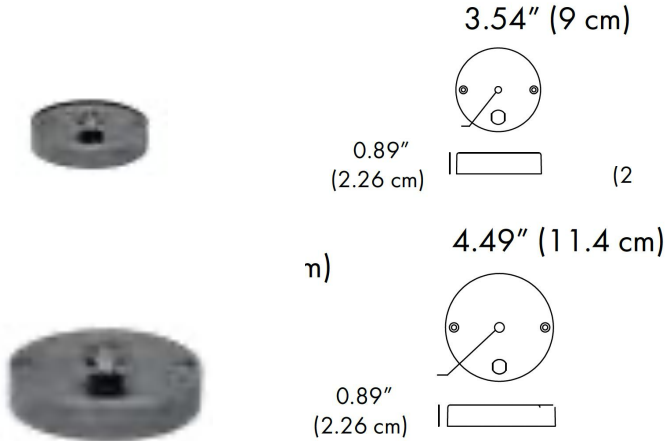


Step 2

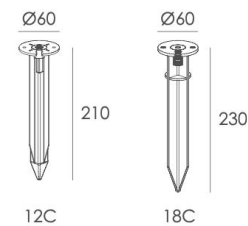


Accessories

Round Surface Mounting Base



Spike



Spike

