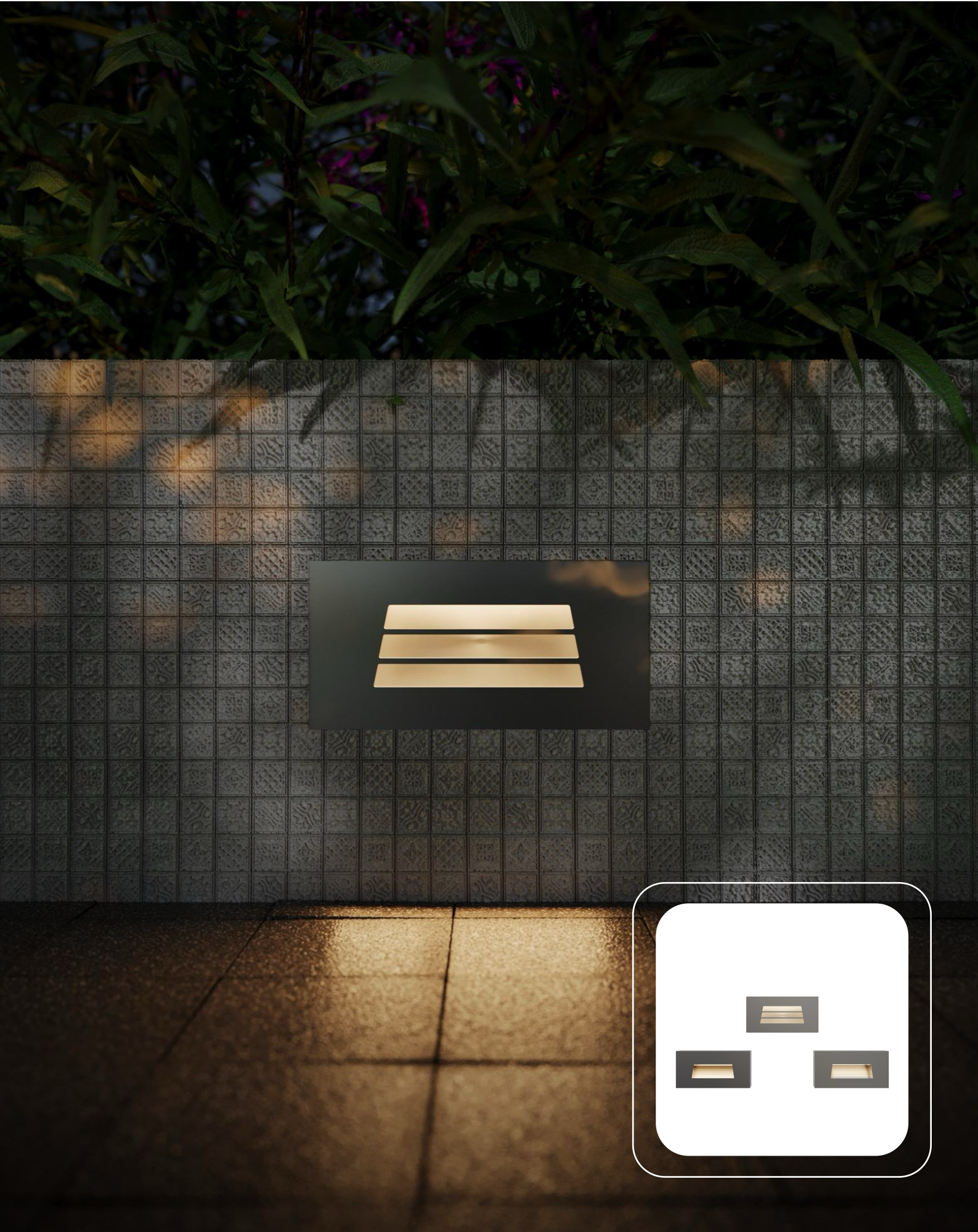




**BULLARD
BOLLARDS**
Think Bollard Think Bullard

LITZY
Recessed Wall Luminaires
Stair / Pathway





FIXTURE TYPE: _____

PROJECT NAME: _____



*CABLE GLAND - IP67 PG-9 PA66

GENERAL INFORMATION:

The LITZY Recessed Wall Luminaire is a durable LED fixture for stair and pathway lighting. Made from die-cast dark gray powder-coated aluminum with a UV-stable, fireproof lens, it operates on 110–277V and offers IP65 and IK09/IK10 protection. With an IP67 cable gland for added durability, LITZY delivers reliable performance in Sanded Dark Gray, Sanded Black, or Sanded Silver Gray finishes.

FIXTURE TYPE:

Recessed Wall Luminaires - Stair/Pathway

LIGHTING:

LED

LED

VOLTAGE:

110-277V



MATERIAL:

12# Die-casting dark grey powder coated aluminum

COVER:

D1CG0734, D1CA0734: 12# Die-casting aluminum

D1CC1834: Made by hard chrome-plated stainless steel 316L#

LENS:

UVstop & Fireproof PC

RECESSED SLEEVE:

PC/ABS ALLOYS 090#

IP RATING:

IP 65

IP65

IK RATING:

IK 09 / IK 10

FINISHING:

Sanded Dark Gray

Sanded Black

Sanded Silver Gray

sales@gordonbullard.com

www.bullardbollards.com

1-877-964-4646



991 South Gull Lake Dr

Richland, MI 49083

USA

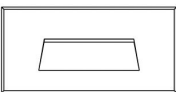
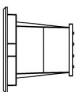


FIXTURE TYPE: _____

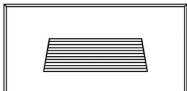
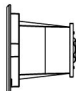
PROJECT NAME: _____

NOTES:

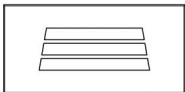
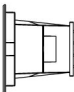
-D1CG0734

	6.1" (15.7 cm)	2.44" (6.2 cm)
3.07" (7.8 cm)		

-D1CA0734

	6.1" (15.7 cm)	2.44" (6.2 cm)
3.07" (7.8 cm)		

-D1CC1834

	6.1" (15.7 cm)	2.39" (6 cm)
3.07" (7.8 cm)		

HOW TO ORDER:

CODE:

Example:
CODE: BB-LTZ-KPG-RWL-XXX-XXX-XXX-XXX-XXX-XX

BB-LTZ-KPG-RWL-
D1CG0734-K30-
KAP7037-DIM

1 MODELS:

CODE -D1CG0734

DIMENSIONS:

Length -	L: 6.1" (15.7 cm)
Height -	H: 3.07" (7.8 cm)
Depth -	P: 2.44" (6.2 cm)

LIGHT SOURCE:

LED / 7 x 0.5W / 150 mA / 145 lm / 110-277V / IK 10

CODE -D1CA0734

DIMENSIONS:

Length -	L: 6.1" (15.7 cm)
Height -	H: 3.07" (7.8 cm)
Depth -	P: 2.44" (6.2 cm)

LIGHT SOURCE:

LED / 7 x 0.5W / 150 mA / 140 lm / 110-277V / IK 10

CODE -D1CC1834

DIMENSIONS:

Length -	L: 6.1" (15.7 cm)
Height -	H: 3.07" (7.8 cm)
Depth -	P: 2.39" (6 cm)

LIGHT SOURCE:

LED / 18 x 0.2W / 125 mA / 65 lm / 110-277V / IK 09

2 CCT OPTIONS:

-K30 3000K
-CUS Custom on request*

3 FINISH OPTIONS:

-KAP7037 Sanded Dark Gray
-RAL 9005 Sanded Black
-RAL9022 Sanded Silver Gray

sales@gordonbullard.com
www.bullardbollards.com
1-877-964-4646



991 South Gull Lake Dr
Richland, MI 49083
USA

FIXTURE TYPE: _____

PROJECT NAME: _____

NOTES:



*CABLE GLAND - IP67 PG-9 PA66

HOW TO ORDER:

CODE:

Example:
CODE: BB-LTZ-KPG-RWL-XXX-XXX-XXX-XXX-XXX-XX

BB-LTZ-KPG-RWL-
D1CG0734-K30-
KAP7037-DIM

4 DIMMING OPTIONS:

- DIM 1-10V
- PWM Pulse Width Modulation
- DALI DALI (Digital Addressable Lighting Interface)

5 FEATURES:



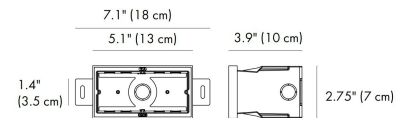
• Front cover without screws



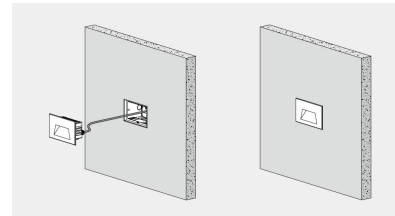
• Use the high-strength clips for fixation. (please refer remark 1 & 2)

6 RECESSED SLEEVE: (included)

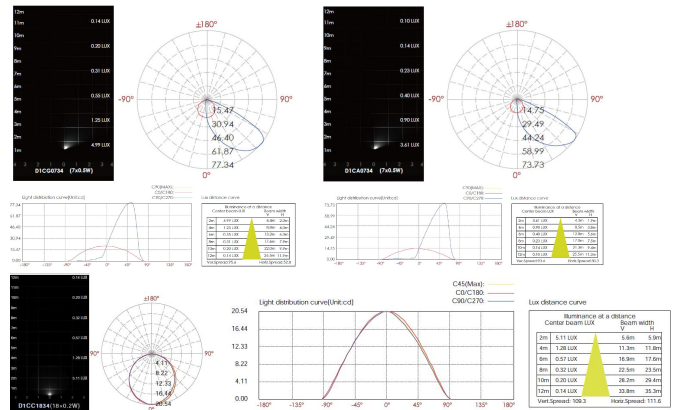
090#



7 DIAGRAM OF INSTRUCTION:



8 PHOTOMETRIC INFO:



sales@gordonbullard.com
www.bullardbollards.com
1-877-964-4646



991 South Gull Lake Dr
Richland, MI 49083
USA