



**BULLARD
BOLLARDS**
Think Bollard Think Bullard

PYROS
BB-1101-BL





**BULLARD
BOLLARDS**
Think Bullard Think Bullard

**CODE:
BB-1101-BL**

FIXTURE TYPE: _____

PROJECT NAME: _____



GENERAL INFORMATION:

The Pyros Bollard from Bullard Outdoor is a robust, energy-efficient LED bollard light with a compact square design, standing at a height of 7.7" (19.5 cm). Powered by a 10W LED and supporting a voltage input of 110-277V, this fixture is made from pure aluminum with gasket materials, ensuring high durability with an IP65 protection rating for excellent resistance to corrosion and compression. Suitable for widespread applications such as garden lighting, parks, pathways, and villa landscapes, it's designed for easy installation and low energy consumption. The Pyros Bollard measures H: 7.7" (19.5 cm) and Ø: 3.543" (90 cm), and features a 10W LED light source with 85 lm/W efficiency. It is available in CCT options of 2700K, 3000K, 4000K, and 5000K, with a 120° beam angle and CRI of 80 or 90.

FIXTURE TYPE:

Bollard

LIGHTING:

LED



VOLTAGE:

110-277V



MATERIAL:

Aluminum + PC

IP:

IP 65



BEAM ANGLE:

120°

THINK BOLLARD - THINK BULLARD

sales@gordonbullard.com

www.bullardbollards.com

1-877-964-4646



991 South Gull Lake Dr

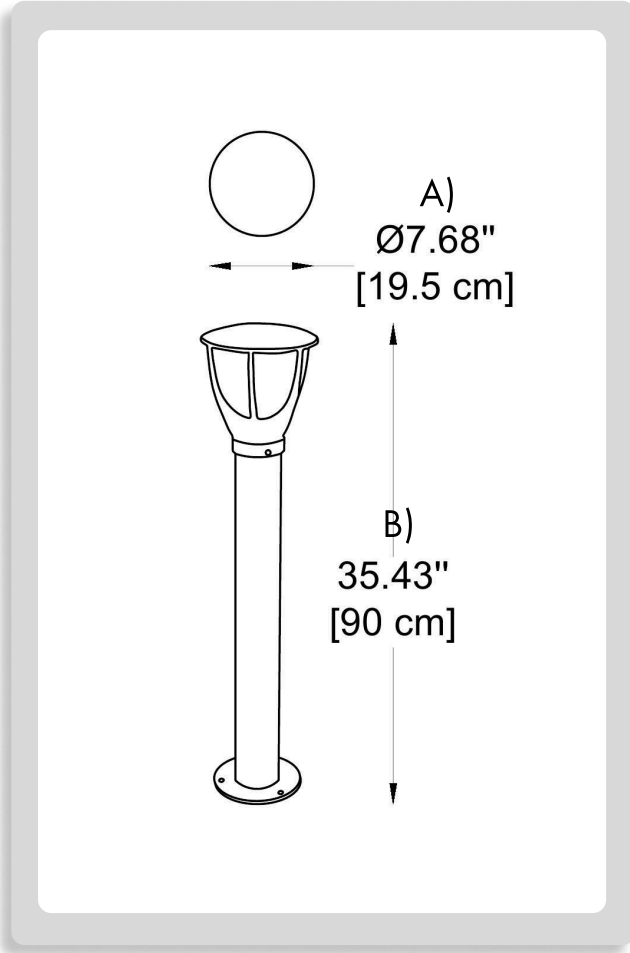
Richland, MI 49083

USA



FIXTURE TYPE: _____

PROJECT NAME: _____



HOW TO ORDER:

CODE:

Example:
CODE: BB-1101-BL-K30-C80-DIM-CUS

BB-1101-BL-K30-
C80-DIM-CUS

1 DIMENSIONS:

A) Diameter - Ø: 7.7" (195 cm)
B) Height - H: 35.43" (90 cm)

2 LIGHT SOURCE:

LED / 10W / 85 lm/W

4 CCT:

-K27 2700K
-K30 3000K
-K40 4000K
-K50 5000K

5 CRI:

-C80 CRI 80
-C90 CRI 90

6 DIMMING OPTIONS:

-NON NON-Dimmable
-DIM 1-10V
-DMX DMX512
-RDM RDM

7 FINISH OPTIONS:

-WH White
-BL Black
-CUS Custom on request*

THINK BOLLARD - THINK BULLARD

sales@gordonbullard.com
www.bullardbollards.com
1-877-964-4646



991 South Gull Lake Dr
Richland, MI 49083
USA