



**BULLARD  
BOLLARDS**  
Think Bollard Think Bullard

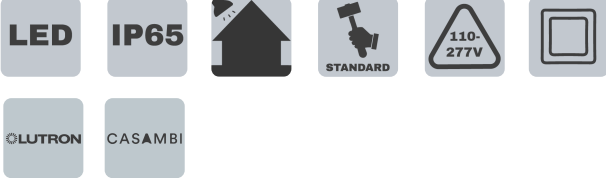
**TORRE**  
**STANDARD GRADE**





FIXTURE TYPE: \_\_\_\_\_

PROJECT NAME: \_\_\_\_\_



**GENERAL INFORMATION:**

The Torre is a versatile urban lighting fixture made from extruded and die-cast aluminum for superior durability. With multiple models, it offers LED options ranging from 6W to 37W, delivering efficient illumination in 3000K or 4000K color temperatures. Featuring beam angles from 32° to 82°x20°, IP65 protection, anti-glare optics, and diverse finish and dimming choices, it combines performance with modern design.

**FIXTURE TYPE:**

Urban Lights

**VOLTAGE:**

110-277V



**MATERIAL:**

Extruded aluminum EN AW-6060 T5 high resistance to oxidation,  
Die-cast aluminum EN AB 44100 highly resistant to oxidation

**OPTICAL:**

32° / 35° / 53° / 74° / 64° x 82° x 20°

**IP RATING:**

IP 65



**DRIVER POSITION:**

Integral

**LENS:**

Anti-glare ring and protective glass, Polycarbonate

**WARRANTY:**

LED lighting products are warranted for 5 years.

**MAIN FEATURES:**

- High visual comfort
- Wide range of finishes
- Functional design
- Minimal design
- Shock resistant
- Operating Temperature: -22°F~122°F

**THINK BOLLARD - THINK BULLARD**

sales@gordonbullard.com  
www.bullardbollards.com  
1-877-964-4646



991 South Gull Lake Dr  
Richland, MI 49083  
USA



**CODE:  
BB-GH19-GH**

FIXTURE TYPE: \_\_\_\_\_

PROJECT NAME: \_\_\_\_\_

NOTES:

**HOW TO ORDER:** \_\_\_\_\_ **CODE:** \_\_\_\_\_

**Example:**  
**CODE:** BB-GH19-GH-90-L12-K30-AC969-BM-NON-AC204

BB-GH19-GH-90-  
 L12-K30-AC969-BM-  
 NON-AC204

**1 MODELS:**

**-90**

**DIMENSIONS:**

- A) Height - H: 4.92" (12.5 cm)
- B) Length - L: 3.54" (9 cm)
- C) Width - W: 3.54" (9 cm)

**2 LIGHT SOURCE:**

- L6** LED / 1 x 5.8 W / 110-277V
- L12** LED / 1 x 11.9 W / 110-277V

**3 CCT & LUMENS:**

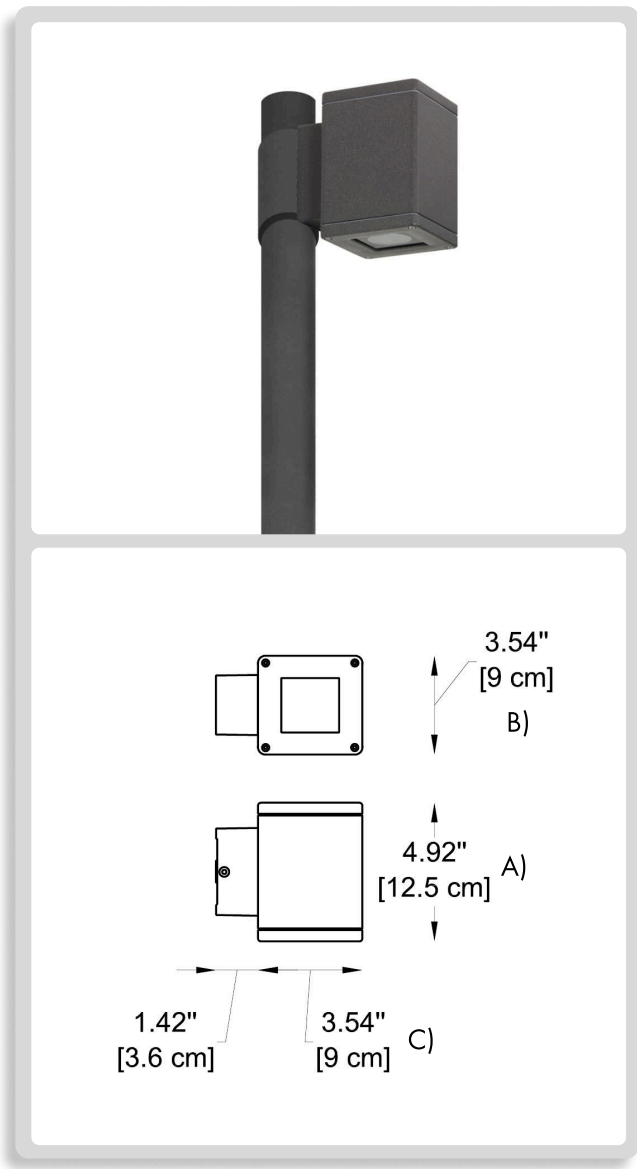
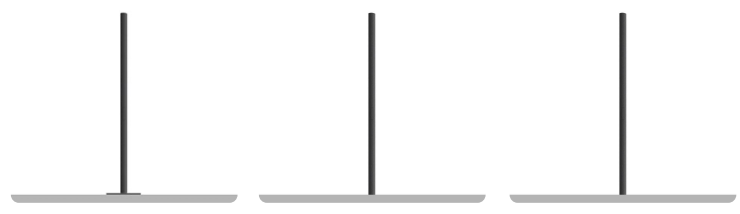
	Kelvins	Lumens (5.8 W)	Lumens (11.9W)
<b>-K30</b>	3000K	872 lm	1635 lm
<b>-K40</b>	4000K	942 lm	1768 lm

**4 BEAM ANGLE:**

32°

**5 POLES:**

- AC969** Cylindrical poles with base Ø: 2.36" (6 cm) 13.12 ft (4 m)
- AC978** Cylindrical poles with base Ø: 2.36" (6 cm) 8.20 ft (2.5m)
- AC979** Cylindrical poles to be buried Ø: 2.36" (6 cm) 13.12 ft (4 m)



LED   
  IP65   
    
  STANDARD   
    

LUTRON   
  CASAMBI

sales@gordonbullard.com  
 www.bullardbollards.com  
 1-877-964-4646



991 South Gull Lake Dr  
 Richland, MI 49083  
 USA



**CODE:  
BB-GH19-GH**

FIXTURE TYPE: \_\_\_\_\_

PROJECT NAME: \_\_\_\_\_

NOTES:

**HOW TO ORDER: CODE:**

**Example:**  
**CODE: BB-GH19-GH-90-L12-K30-AC969-BM-NON-AC204**

BB-GH19-GH-90-  
 L12-K30-AC969-BM-  
 NON-AC204

**1 MODELS:**

**-125**

**DIMENSIONS:**

A) Height - H: 8.03" (20.4 cm)  
 B) Length - L: 4.92" (12.5 cm)  
 C) Width - W: 4.92" (12.5 cm)

**2 LIGHT SOURCE:**

**-L14** LED / 1 x 14.7 W / 110-277V  
**-L17** LED / 1 x 17 W / 110-277V

**3 CCT & LUMENS:**

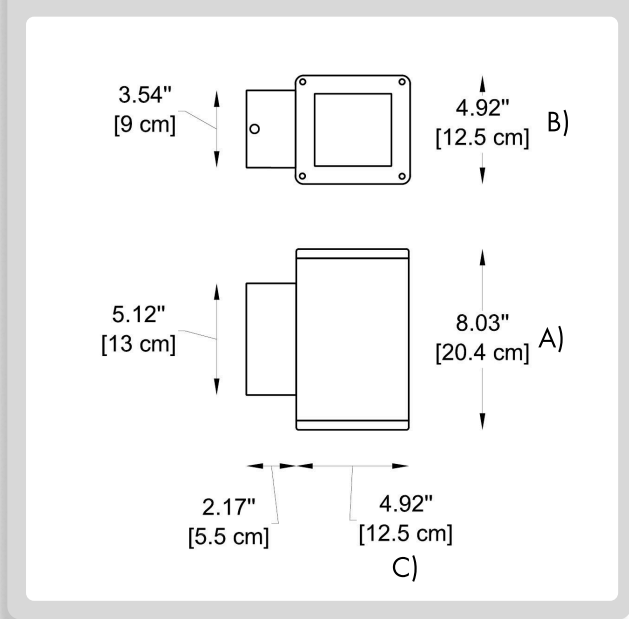
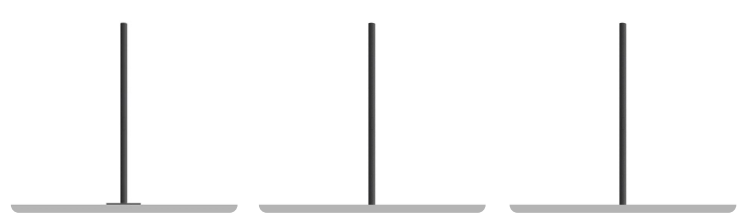
	Kelvins	Lumens (14.7W)	Lumens (17W)
<b>-K30</b>	3000K	2181 lm	1930 lm
<b>-K40</b>	4000K	2345 lm	2116 lm

**4 BEAM ANGLE:**

**-B35** 35°  
**-B53** 53°

**5 POLES:**

<b>-AC969</b>	<b>-AC978</b>	<b>-AC979</b>
Cylindrical poles with base Ø: 2.36" (6 cm) 13.12 ft (4 m)	Cylindrical poles with base Ø: 2.36" (6 cm) 8.20 ft (2.5m)	Cylindrical poles to be buried Ø: 2.36" (6 cm) 13.12 ft (4 m)



sales@gordonbullard.com  
 www.bullardbollards.com  
 1-877-964-4646



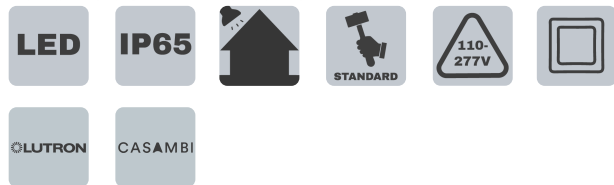
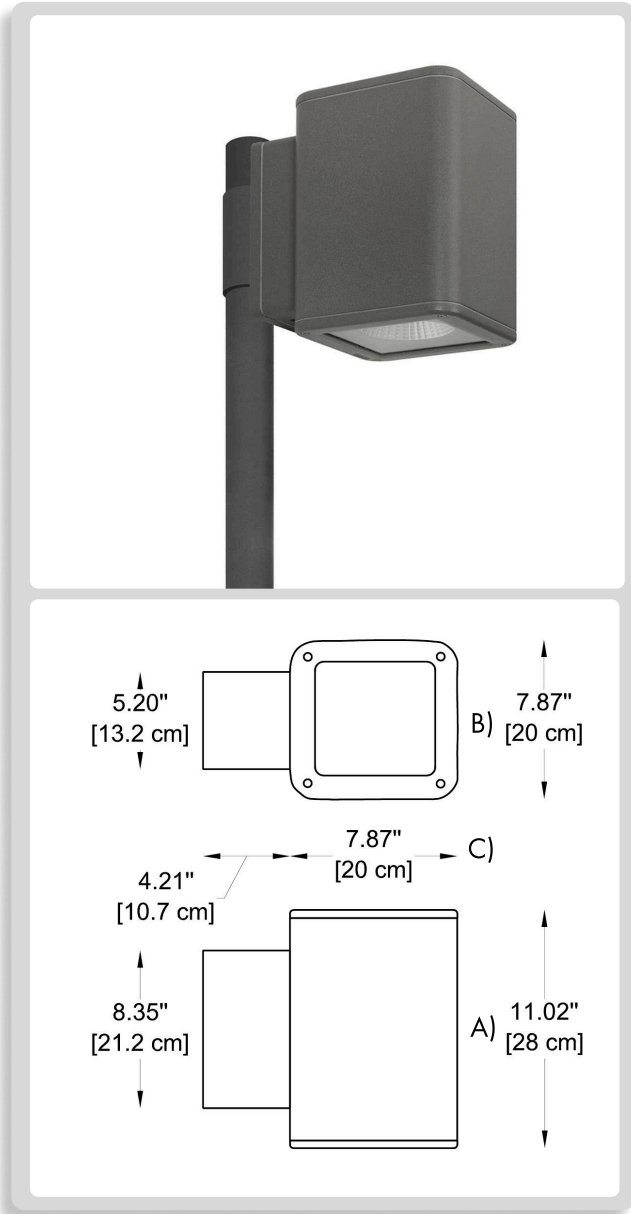
991 South Gull Lake Dr  
 Richland, MI 49083  
 USA



FIXTURE TYPE: \_\_\_\_\_

PROJECT NAME: \_\_\_\_\_

NOTES:



sales@gordonbullard.com  
 www.bullardbollards.com  
 1-877-964-4646



991 South Gull Lake Dr  
 Richland, MI 49083  
 USA

**HOW TO ORDER:**

**CODE:**

**Example:**  
 CODE: BB-GH19-GH-90-L12-K30-AC969-BM-NON-AC204

BB-GH19-GH-90-  
 L12-K30-AC969-BM-  
 NON-AC204

**1 MODELS:**

**-200**

**DIMENSIONS:**

A) Height - H: 11.02" (28 cm)  
 B) Length - L: 7.87" (20 cm)  
 C) Width - W: 7.87" (20 cm)

**2 LIGHT SOURCE:**

**-L23** LED / 1 x 23.7 W / 110-277V  
**-L37** LED / 1 x 37.1 W / 110-277V

**3 CCT & LUMENS:**

	Kelvins	Lumens (23.7W)	Lumens (37.1 W)
<b>-K30</b>	3000K	3306 lm	4788 lm
<b>-K40</b>	4000K	3555 lm	5149 lm

**4 BEAM ANGLE:**

**-B74** 74°  
**-B64** 64° x 82° x 20°

**5 POLES:**

Code	Description	Code	Description
<b>-AC969</b>	Cylindrical poles with base Ø: 2.36" (6 cm) 13.12 ft (4 m)	<b>-AC979</b>	Cylindrical poles to be buried Ø: 2.36" (6 cm) 13.12 ft (4 m)



<b>-AC900</b>	Tapered piles to be buried Ø: 2.36" (6 cm) 13.12 ft (4 m)	<b>-AC903</b>	Tapered piles to be buried Ø: 2.36" (6 cm) 16.40 ft (4 m)
---------------	---	---------------	---





**CODE:  
BB-GH19-GH**

FIXTURE TYPE: \_\_\_\_\_

PROJECT NAME: \_\_\_\_\_

NOTES:



**HOW TO ORDER:**

**CODE:**

**Example:**  
**CODE: BB-GH19-GH-90-L12-K30-AC969-BM-NON-AC204**

BB-GH19-GH-90-  
 L12-K30-AC969-BM-  
 NON-AC204

**5 FINISH OPTIONS:**

- AG Anthracite grey (matt) ●
- LG Light grey (matt) ●
- WM White matt ●
- BM Black matt ●
- CM Corten matt ●
- BR Bronze ●
- AGM Antique grey (matt) ●
- BM Blue matt ●
- SM Sand matt ●
- GM Green matt ●

**6 DIMMING OPTIONS:**

- NON NON-Dimmable
- DIM 0-10V
- CAS Casambi
- LUT Lutron
- DAL Dali



sales@gordonbullard.com  
 www.bullardbollards.com  
 1-877-964-4646



991 South Gull Lake Dr  
 Richland, MI 49083  
 USA



FIXTURE TYPE: \_\_\_\_\_

PROJECT NAME: \_\_\_\_\_

NOTES:

**HOW TO ORDER:** \_\_\_\_\_ **CODE:** \_\_\_\_\_

**Example:**  
**CODE: BB-GH19-GH-90-L12-K30-AC969-BM-NON-AC204**

BB-GH19-GH-90-  
 L12-K30-AC969-BM-  
 NON-AC204

**7 ACCESSORIES for 90 model:**

**-AC204**  
 IP 68 fast connector 4P



**-AC419**  
 Microtorre wrap around  
 pole bracket Ø 60mm



**-AC420**  
 Microtorre wrap around  
 pole bracket Ø 60mm - Double

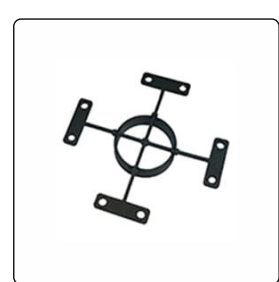


**7 ACCESSORIES for 125 model:**

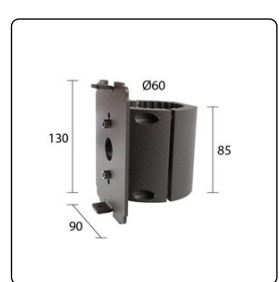
**-AC204**  
 IP 68 fast connector 4P



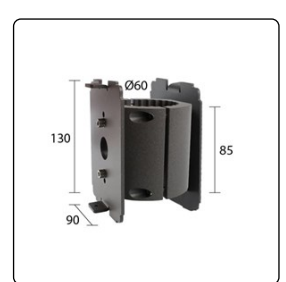
**-AC319**  
 Louvre screen anti  
 glare Microfaro



**-AC407**  
 Torre wrap around pole  
 bracket Ø 60mm



**-AC408**  
 Torre wrap around pole  
 bracket Ø 60mm - Double



sales@gordonbullard.com  
 www.bullardbollards.com  
 1-877-964-4646



991 South Gull Lake Dr  
 Richland, MI 49083  
 USA



FIXTURE TYPE: \_\_\_\_\_

PROJECT NAME: \_\_\_\_\_

NOTES:

**HOW TO ORDER:** \_\_\_\_\_ **CODE:** \_\_\_\_\_

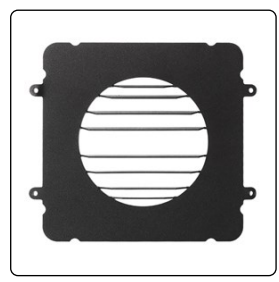
**Example:**  
**CODE: BB-GH19-GH-90-L12-K30-AC969-BM-NON-AC204**

BB-GH19-GH-90-  
L12-K30-AC969-BM-  
NON-AC204

**7 ACCESSORIES for 200 model:**

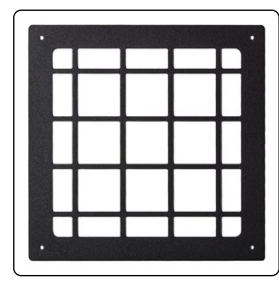
**-AC180**

head support



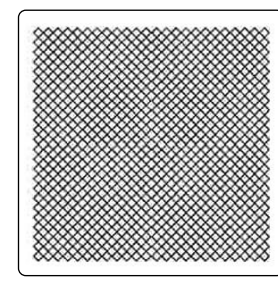
**-AC181**

column double support  
MicroFaro/Faro/MaxiFaro



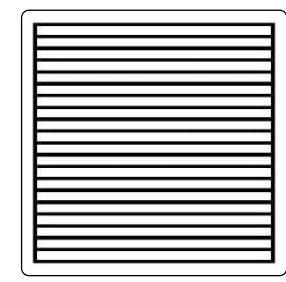
**-AC182**

Faro wrap around pole  
bracket Ø 60mm



**-AC184**

Faro wrap around pole  
bracket Ø 60mm - Double



**-AC185**

IP 68 fast connector 4P



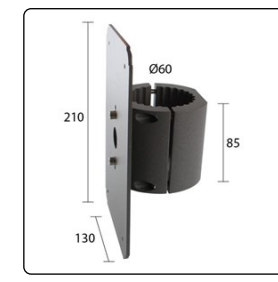
**-AC204**

IP 68 fast connector 4P



**-AC409**

Torre wrap around  
pole bracket Ø 60mm



**-AC410**

Torre wrap around pole  
bracket Ø 60mm - Double

