



**BULLARD  
BOLLARDS**  
Think Bollard Think Bullard

# BUNNY MINITRACK C1200



FIXTURE TYPE: \_\_\_\_\_

PROJECT NAME: \_\_\_\_\_

NOTES:




**GENERAL INFORMATION:**

The Bunny MiniTrack 300 Series of linear fixtures to be recessed in the ceiling with very low recess depth characterized by high level of visual comfort. Available in various lengths. Designed for lighting of exterior and interior application thanks to the wide availability of optics and powers. The body and diffuser closure caps are constructed of high oxidation resistant aluminum alloy which is subjected to nano-bonderite treatment and finished with texturized polyester powder paint, making the product resistant to atmospheric agents and UV rays, guaranteeing maximum protection over the years. The external finishing frame and screws are in stainless steel. Silicone gaskets ensure maximum sealing in all operating and temperature conditions. The ultra transparent tempered sodium calcium glass diffuser ensures maximum light transmittance and is finished with a silkscreen border. The product, thanks to the steel bracket system, can be easily installed in any kind of false ceiling or suspended ceiling.

**LIGHTING:**

LED 

**VOLTAGE:**

110-277V 

**GASKETS:**

Silicone gaskets

**FIXTURE TYPE:**

Ceiling Luminaires

**MATERIAL:**

Stainless steel AISI 316L, Extruded aluminum EN AW-6060 T5 high resistance to oxidation, Die-cast aluminum EN AB 44100 highly resistant to oxidation

**EXTERNAL SCREWS:**

Stainless steel A4-70 treated with highly antioxidant water-repellent lubricating solution

**DIFFUSER MATERIAL:**

Tempered glass 8mm

**IP RATING:**

IP 68 

**THINK BOLLARD - THINK BULLARD**

sales@gordonbullard.com  
 www.bullardbollards.com  
 1-877-964-4646



991 South Gull Lake Dr  
 Richland, MI 49083  
 USA



FIXTURE TYPE: \_\_\_\_\_

PROJECT NAME: \_\_\_\_\_

NOTES:



**APPLINCE CLASS:**

III 

**OPERATION RANGE:**

110-277V - 50/60 Hz

**DRIVER POSITION:**

Integral

**CRI:**

>90

**CABLE ENTRY / CABLE TYPE:**

Nylon cable gland M20 Ø 7/13 mm / H07RN8-F 3x1 mm<sup>2</sup>

**CORD LENGTH:**

0.5m

**LIGHT DISTRIBUTION:**

- 12° - Symmetrical narrow beam (<=15°)
- 25° - Symmetrical medium flood (15° - 45°)
- 50° - Symmetrical wide beam (45° - 125°)
- 14° x 47° - 2 Axis symmetrical
- 78° x 47° - Asymmetric flood (wall washer)

**BEAM DIRECTIONABILITY:**

Fixed optics

**OPTICS:**

Anti UV technopolymer lens


**WARRANTY:**

LED lighting products are warranted for 5 years.

**MAIN FEATURES:**

- High visual comfort
- Wide range of finishes
- Functional design / Minimal design
- Operating Temperature: -22°F~122°F

**FINISH OPTIONS:**

Stainless steel 

**THINK BOLLARD - THINK BULLARD**

sales@gordonbullard.com  
www.bullardbollards.com  
1-877-964-4646

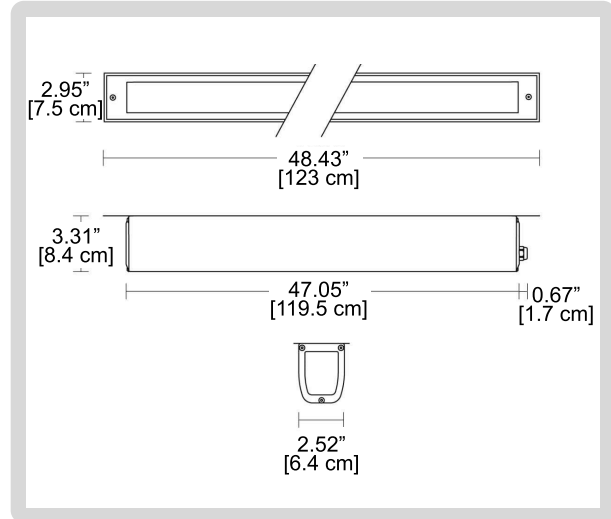


991 South Gull Lake Dr  
Richland, MI 49083  
USA



FIXTURE TYPE: \_\_\_\_\_

PROJECT NAME: \_\_\_\_\_



**HOW TO ORDER:**

**CODE:**

Example:  
CODE: BB-001083.ENST-GH-B2-L1-DIM-AC204

BB-001083.ENST-GH-B2-L1-DIM-AC204

**1 DIMENSIONS:**

- A) Recessed depth - P: 3.31" (8.4 cm)
- B) Length - L: 48.43" (123 cm)
- C) Width - W: 2.95" (7.5 cm)

**2 BEAM ANGLE:**

- B1 12°
- B2 25°
- B3 50°
- B4 14° x 47°
- B5 78° x 47°

**3 LIGHT SOURCE:**

- L1 LED | 1 x 36W | 3000K | 1 x 3504 lm | 110-277V
- L2 LED | 1 x 36W | 4000K | 1 x 3888 lm | 110-277V

**4 DIMMING OPTIONS:**

- NON NON-Dimmable
- DIM 0-10V
- DAL Dali

**5 ACCESSORIES:**

**-AC204**

IP 68 fast connector 4P



**-AC279**

IP 68 connector for through wiring 4P



**-AC606**

Rough-in housing 1200mm



**-AC573**

Ceiling brackets



**THINK BOLLARD - THINK BULLARD**

sales@gordonbullard.com  
www.bullardbollards.com  
1-877-964-4646



991 South Gull Lake Dr  
Richland, MI 49083  
USA