



**BULLARD
BOLLARDS**
Think Bollard Think Bullard

**LUNARA RD
(CEILING RECESSED)**



FIXTURE TYPE: _____

PROJECT NAME: _____

NOTES:

GENERAL INFORMATION:

The LUNARA RD recessed ceiling luminaire is a compact, high-performance LED fixture designed for precise architectural lighting in indoor and covered outdoor applications. Engineered with a durable stainless steel and extruded aluminum construction, it offers excellent resistance to oxidation and long-term reliability. The fixture features high-efficiency LED technology with multiple beam angle options for narrow, medium, or wide light distribution, allowing precise accent or general illumination. A clear tempered glass diffuser and IP66 protection ensure durability in demanding environments, while the remote driver configuration and optional dimming controls provide flexible installation and lighting control. With its minimalist round design and refined finishes, the BB-1063 delivers a sophisticated lighting solution for modern architectural spaces.

FIXTURE TYPE:

Ceiling Recessed

LIGHTING:

LED

INPUT VOLTAGE:

110-277V

MATERIAL:

Stainless steel AISI 316L, Extruded aluminum EN AW-6060 T5 high resistance to oxidation

GASKETS:

Silicone gaskets

FINISH AND PROTECTION:

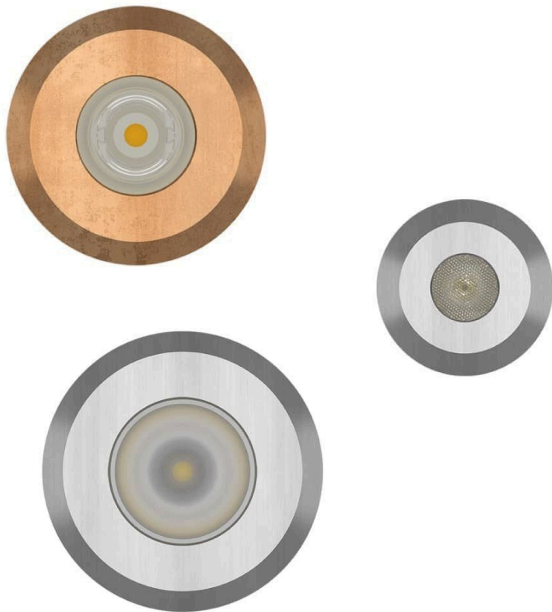
Anodizing treatment

CUTOUT SHAPE:

Round

DRIVER POSITION:

Remote



THINK BOLLARD - THINK BULLARD

sales@gordonbullard.com
www.bullardbollards.com
1-877-964-4646

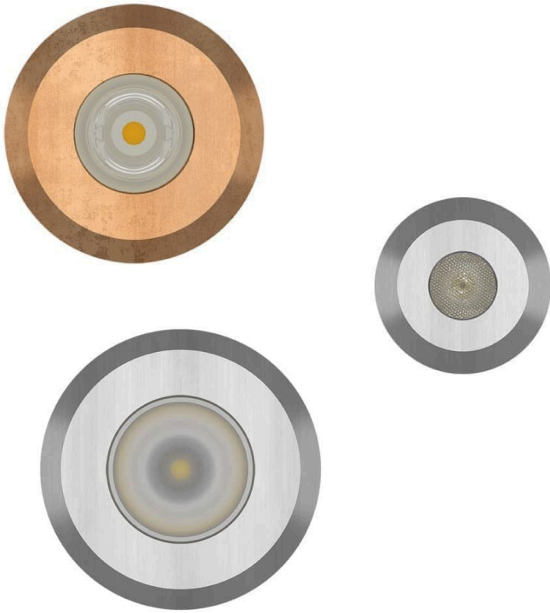


991 South Gull Lake Dr
Richland, MI 49083
USA

FIXTURE TYPE: _____

PROJECT NAME: _____

NOTES:



CRI:

>90

IP RATING:

IP66

APPLINCE CLASS:

III

CONTROL:

Dim based on driver

CORD LENGTH:

50 cm

BEAM ANGLE / LIGHT DISTRIBUTION / BEAM DIRECTIONABILITY:

-32	20°	Symmetrical medium flood (15° - 45°)	Fixed optics
	31°	Symmetrical medium flood (15° - 45°)	Fixed optics
-45	13°	Symmetrical narrow beam (<=15°)	Fixed optics
	25°	Symmetrical medium flood (15° - 45°)	Fixed optics
	46°	Symmetrical wide beam (45° - 125°)	Fixed optics
-55	14°	Symmetrical narrow beam (<=15°)	Fixed optics
	17°	Symmetrical medium flood (15° - 45°)	Fixed optics
	25°	Symmetrical medium flood (15° - 45°)	Fixed optics
	36°	Symmetrical medium flood (15° - 45°)	Fixed optics
	55°	Symmetrical wide beam (45° - 125°)	Fixed optics
	42°x55°	Asymmetric flood (wall washer)	Fixed optics

DIFFUSER MATERIAL / DIFFUSER FINISH

Tempered glass 5mm / Transparent - extra clear

WARRANTY:

LED lighting products are warranted for 5 years.

MAIN FEATURES:

- High visual comfort / Wide range of finishes
- Functional design
- Minimal design
- Reduced overhang
- Operating Temperature: 253.15 K ÷ 308.15 K (-20 °C ÷ +35 °C)
- Increased temperature to 323.15 K (50°C)
- * upon request previous specific components and test

THINK BOLLARD - THINK BULLARD

sales@gordonbullard.com
www.bullardbollards.com
1-877-964-4646

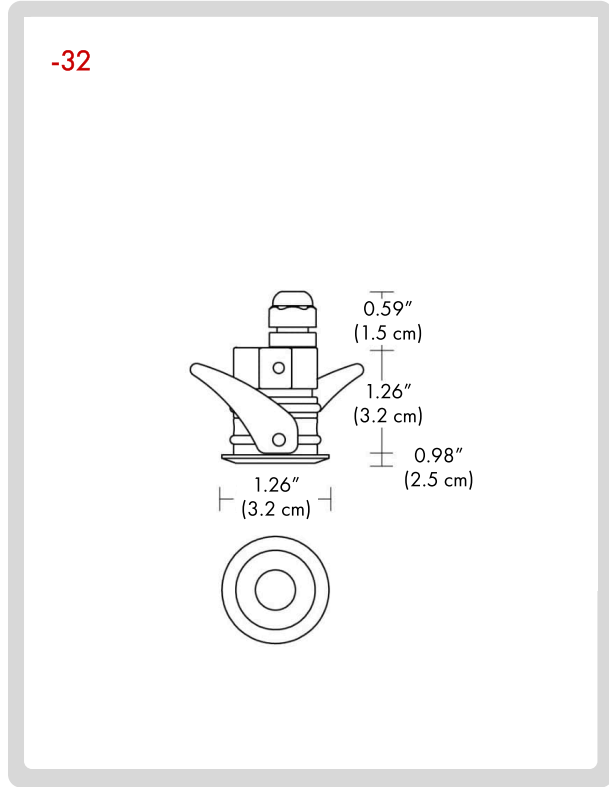


991 South Gull Lake Dr
Richland, MI 49083
USA



FIXTURE TYPE: _____

PROJECT NAME: _____



HOW TO ORDER:

CODE:

Example:
CODE: BB-1063.00BAST-GH-32-L2-B1-15-DIM

BB-1063.00BAST
-GH-32-L2-B1-15-DIM

1 DIMENSIONS:

-32
Diameter - Ø: 1.26" (3.2 cm)

2 LIGHT SOURCE:

-L1 LED / 1 x 1.5W / 3000K / 1 x 146 lm
-L2 LED / 1 x 1.5W / 4000K / 1 x 162 lm
-BL LED / 1 x 1W / BLUE / 1 x 40 lm

3 BEAM ANGLE:

-B1 20°
-B2 31°

4 CONTROL GEAR/OPERATION RANGE:

-24V 24 V DC
-500 500 mA

5 FINISH OPTIONS:

-15 Stainless steel
-68 Natural bronze

6 DIMMING OPTIONS:

-NON NON-Dimmable
-DIM 0-10V
-CAS Casambi
-DAL Dali

7 ACSESSORIES:

-AC205-IP66
 IP66 remote power supply box



THINK BOLLARD - THINK BULLARD

sales@gordonbullard.com
 www.bullardbollards.com
 1-877-964-4646

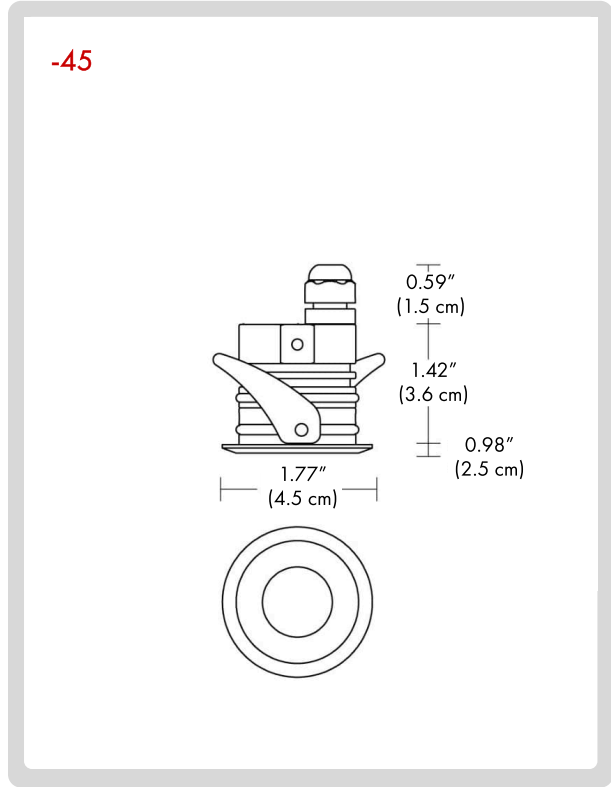


991 South Gull Lake Dr
 Richland, MI 49083
 USA



FIXTURE TYPE: _____

PROJECT NAME: _____



HOW TO ORDER:

CODE:

Example:
CODE: BB-1063.00BAST-GH-32-L2-B1-15-DIM

BB-1063.00BAST
-GH-32-L2-B1-15-DIM

1 DIMENSIONS:

-45
Diameter - Ø: 1.77" (4.5 cm)

2 LIGHT SOURCE:

-L1 LED / 1 x 2.1W / 3000K / 1 x 196 lm
-L2 LED / 1 x 2.1W / 4000K / 1 x 218 lm

-BL1 LED / 1 x 1W / BLUE / 1 x 40 lm / 13° / 24V DC
-BL2 LED / 1 x 1W / BLUE / 1 x 40 lm / 13° / 700 mA
-BL3 LED / 1 x 1W / BLUE / 1 x 40 lm / 25° / 700 mA

3 BEAM ANGLE (FOR L1/L2):

-B1 13°
-B2 25°
-B3 46°

**4 CONTROL GEAR/OPERATION RANGE:
(FOR L1/L2)**

-24V 24 V DC
-700 700 mA

5 FINISH OPTIONS:

-15 Stainless steel
-68 Natural bronze

6 DIMMING OPTIONS:

-NON NON-Dimmable
-DIM 0-10V
-CAS Casambi
-DAL Dali

7 ACSESSORIES:

-AC205-IP66
IP66 remote power supply box



THINK BOLLARD - THINK BULLARD

sales@gordonbullard.com
www.bullardbollards.com
1-877-964-4646

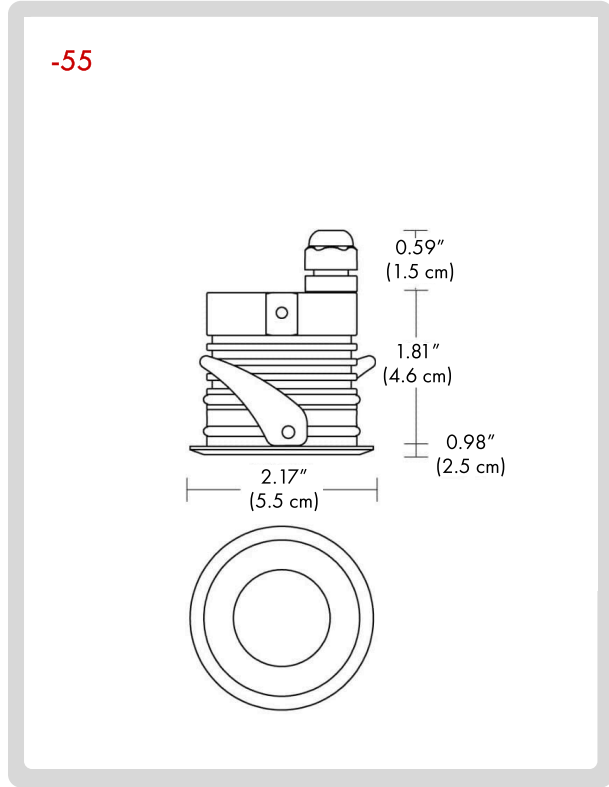


991 South Gull Lake Dr
Richland, MI 49083
USA



FIXTURE TYPE: _____

PROJECT NAME: _____



HOW TO ORDER:

CODE:

Example:
CODE: BB-1063.00BAST-GH-32-L2-B1-15-DIM

BB-1063.00BAST
-GH-32-L2-B1-15-DIM

1 DIMENSIONS:

-55

Diameter - Ø: 2.17" (5.5 cm)

LIGHT SOURCE:

CODE	BEAM ANGLE	WATTAGE	KELVINS	LUMENS	
-B14-1	14°	1 x 2.1W	3000K	1 x 196 lm	24 V DC
-B14-2		1 x 3.2W	3000K	1 x 277 lm	1050 mA
-B14-3		1 x 2.1W	4000K	1 x 218 lm	24 V DC
-B17-1	17°	1 x 2.1W	3000K	1 x 196 lm	24 V DC
-B17-2		1 x 3.2W	3000K	1 x 277 lm	1050 mA
-B17-3		1 x 2.1W	4000K	1 x 218 lm	24 V DC
-B25-1	25°	1 x 6W	3000K	1 x 845 lm	24 V DC
-B25-2		1 x 6W	3000K	1 x 845 lm	350 mA
-B36-1	36°	1 x 2.1W	3000K	1 x 196 lm	24 V DC
-B36-2		1 x 3.2W	3000K	1 x 277 lm	1050 mA
-B36-3		1 x 2.1W	4000K	1 x 218 lm	24 V DC
-B42-55-1	42x55°	1 x 2.1W	3000K	1 x 196 lm	24 V DC
-B42-55-2		1 x 3.2W	3000K	1 x 277 lm	1050 mA
-B55-1	55°	1 x 6W	3000K	1 x 845 lm	24 V DC

2 FINISH OPTIONS:

-15 Stainless steel **-68** Natural bronze

3 DIMMING OPTIONS:

-NON NON-Dimmable **-CAS** Casambi
-DIM 0-10V **-DAL** Dali

4 ACSESSORIES:

-AC205-IP66
IP66 remote power supply box



THINK BOLLARD - THINK BULLARD

sales@gordonbullard.com
www.bullardbollards.com
1-877-964-4646



991 South Gull Lake Dr
Richland, MI 49083
USA