



**BULLARD
BOLLARDS**
Think Bollard Think Bullard

BUNNY GLOW 1L 115 (INGROUND LUMINAIRES)



FIXTURE TYPE: _____

PROJECT NAME: _____

NOTES:



GENERAL INFORMATION:

The BUNNY GLOW 1L 115 by Bullard Bollards is a compact ground-recessed luminaire designed to create precise, low-glare illumination along pathways and architectural edges. Engineered with corrosion-resistant materials and a sealed tempered glass enclosure, it delivers reliable performance in demanding outdoor conditions. Seamlessly integrated into paved surfaces, it enhances safety while maintaining a clean, contemporary aesthetic.

FIXTURE TYPE:

Inground Luminaires

LIGHTING:

LED

INPUT VOLTAGE:

110-277V

MATERIAL:

Die-cast aluminum EN AB 44100 highly resistant to oxidation

GASKETS:

Silicone gaskets

EXTERNAL SCREWS:

Stainless steel A4-70 treated with highly antioxidant water-repellent lubricating solution

FINISH AND PROTECTION:

Primary treatment with nanoceramic conversion. Secondary treatment by application of protective epoxy primer. Protective finish with textured polyester powder coating, resistant to weathering and UV rays

ROUGH IN HOUSING:

Polypropylene to be ordered separately

DRAINAGE:

30cm of gravel or draining material.
Alternatively, draining piping system.

STATIC LOAD:

5511.6 lb - Drive-over max 10km/h

CRI:

>80

THINK BOLLARD - THINK BULLARD

sales@gordonbullard.com
www.bullardbollards.com
1-877-964-4646



991 South Gull Lake Dr
Richland, MI 49083
USA

FIXTURE TYPE: _____

PROJECT NAME: _____

NOTES:



DRIVER POSITION:

Integral

IP RATING:

IP67

APPLINCE CLASS:

I / III

CUTOUT SHAPE:

Round

CABLE ENTRY:

Nylon cable gland M16 Ø 0.5/1cm

CABLE TYPE:

H05RN-F 3x0.01 cm²

WATER-LOCK SYSTEM:

Cable gland with anti-moisture suction system, preventing the capillary rise of water or condensation along the cable and ensuring maximum protection of the luminaire body and electrical components.

CORD LENGTH:

100 cm

LIGHT DISTRIBUTION:

90° Other

BEAM DIRECTIONABILITY:

Fixed optics

DIFFUSER MATERIAL/FINISH/TEMPERATURE:

Tempered glass 0.3cm /Transparent - extra clear/ < 313.15 K (< 40 °C)

WARRANTY:

LED lighting products are warranted for 5 years.

MAIN FEATURES:

- Wide range of finishes
- Evocative / Functional design
- Resistant to vandalism
- Operating Temperature: 253.15 K ÷ 308.15 K (-20 °C ÷ +35 °C)
- Increased temperature to 323.15 K (50°C)
- * upon request previous specific components and test



THINK BOLLARD - THINK BULLARD

sales@gordonbullard.com
www.bullardbollards.com
1-877-964-4646

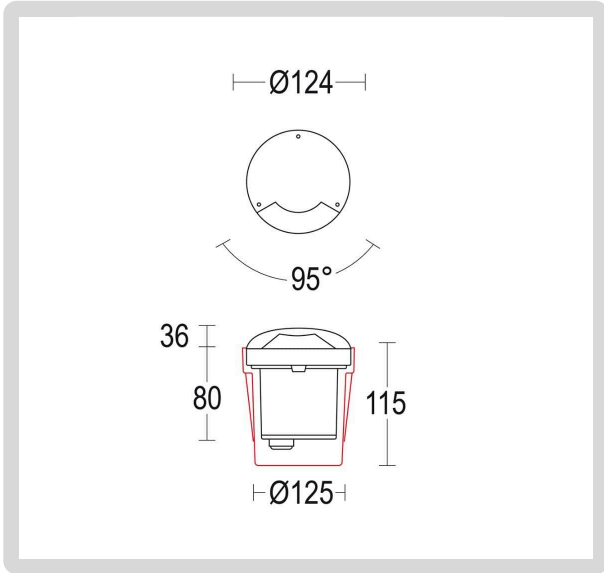


991 South Gull Lake Dr
Richland, MI 49083
USA



FIXTURE TYPE: _____

PROJECT NAME: _____



HOW TO ORDER: _____ **CODE:** _____

Example:
CODE: BB-

BB-

1 DIMENSIONS:

Diameter - Ø: 4.88" (12.4 cm)
 Recessed hole diameter - Ø: 4.92" (12.5 cm)
 Recessed depth - h: 4.53" (11.5 cm)

2 BEAM ANGLE:

90°

3 LIGHT SOURCE:

CODE	WATTAGE KELVINS LUMENS	
-B90-1	1 x 3W 3000 K 1 x 275 lm	110-277 V / 60 Hz
-B90-2	1 x 3W 3000 K 1 x 275 lm	24 V DC
-B90-3	1 x 6W 3000 K 1 x 550 lm	24 V DC
-B90-4	1 x 3W 4000 K 1 x 288 lm	110-277 V / 60 Hz
-B90-5	1 x 3W 4000 K 1 x 288 lm	24 V DC
-B90-6	1 x 6W 4000 K 1 x 576 lm	24 V DC

4 DIMMING OPTIONS:

- NON NON-Dimmable
- DIM 0-10V
- CAS Casambi
- LT Lutron
- DAL Dali

5 FINISH OPTIONS:

- 01 White matt
- 02 Black matt
- 05 Anthracite grey matt
- 19 Light grey matt
- 26 Bronze
- 45 Corten matt
- 62 Antique grey matt
- 65 Blue matt
- 80 Sand matt
- 83 Green matt



THINK BOLLARD - THINK BULLARD

sales@gordonbullard.com
 www.bullardbollards.com
 1-877-964-4646



991 South Gull Lake Dr
 Richland, MI 49083
 USA



FIXTURE TYPE: _____

PROJECT NAME: _____

HOW TO ORDER:

CODE:

Example:
CODE: BB-

BB-

6 ACCESSORIES:

-AC010

SPD 10kV IP66 C I - Serie



-AC204

IP 68 fast connector 4P

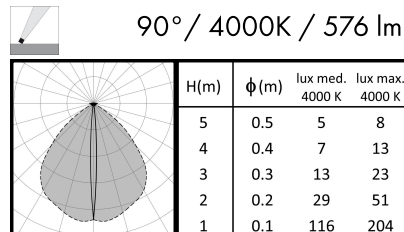
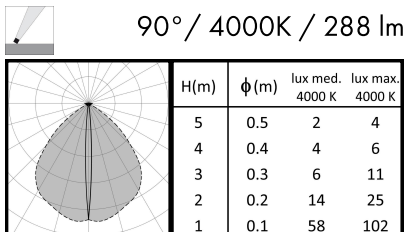
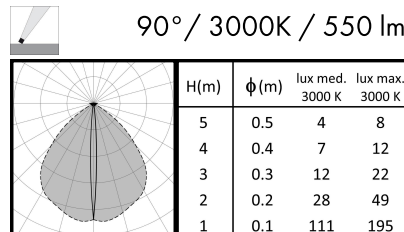
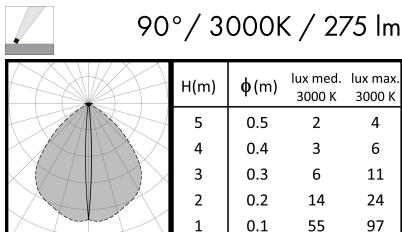


-AC018

Rough-in housing (polypropylene) Bunny GLOW 1L 115



7 PHOTOMETRY:



THINK BOLLARD - THINK BULLARD

sales@gordonbullard.com

www.bullardbollards.com

1-877-964-4646



991 South Gull Lake Dr

Richland, MI 49083

USA