



**BULLARD
BOLLARDS**
Think Bollard Think Bullard

LYTRO
BB-14-BL





**BULLARD
BOLLARDS**
Think Bullard Think Bullard

**CODE:
BB-14-BL**

FIXTURE TYPE: _____

PROJECT NAME: _____



GENERAL INFORMATION:

The Lytro Bollard from Bullard Outdoor features a timeless design with a height of 30.71" (78 cm) and a diameter of 4.96" (12.6 cm). Offering 5W or 10W LED power options and supporting 1-10V or non-dimmable setups, this fixture is ideal for gardens, parks, pathways, and villa projects. Constructed with durable aluminum and gaskets, it has a high IP65 rating for corrosion resistance and weather protection, and it is easy to install with low energy consumption. CCT options include 3000K, 4000K, 5000K, and 6000K with CRI choices of 80 or 90 and beam angles of 24°, 36°, or 45°.

FIXTURE TYPE:

Bollard

LIGHTING:

LED

LED

VOLTAGE:

110-277V



MATERIAL:

Aluminum

IP:

IP 65

IP65

THINK BOLLARD - THINK BULLARD

sales@gordonbullard.com

www.bullardbollards.com

1-877-964-4646



991 South Gull Lake Dr

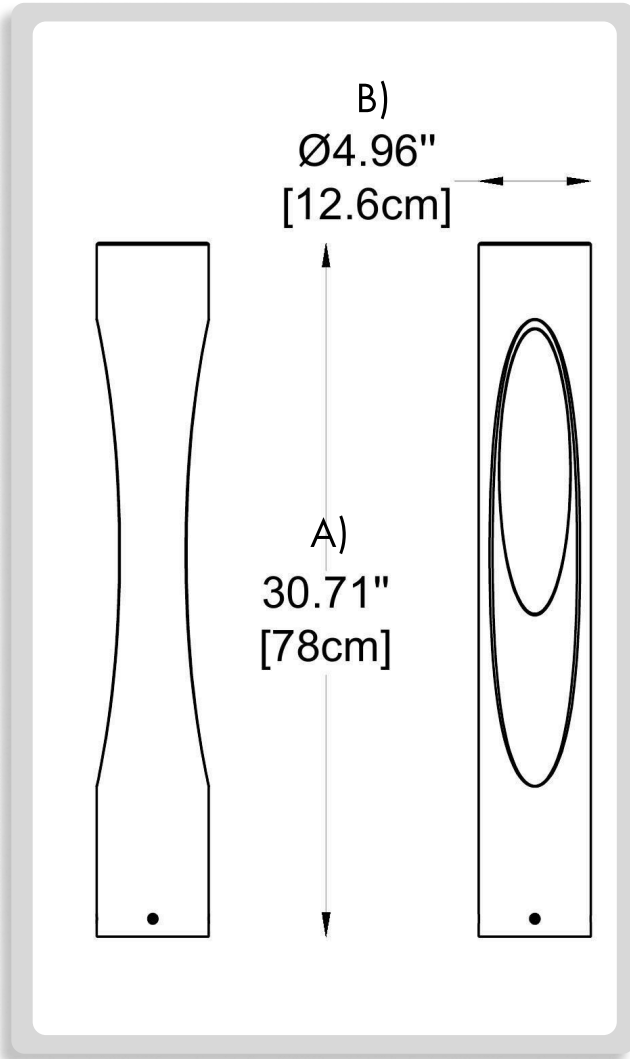
Richland, MI 49083

USA



FIXTURE TYPE: _____

PROJECT NAME: _____



HOW TO ORDER:

CODE:

Example:
CODE: BB-14-BL-W5-K30-B40-C90-DIM-CUS

BB-14-BL-W5-K30-B40-C90-DIM-CUS

1 DIMENSIONS:

A) Height - H: 30.71" (78 cm)
B) Diameter - Ø: 4.96" (12.6 cm)

2 LIGHT SOURCE:

-W5 LED / 5W / 325 lm
-W10 LED / 10W / 650 lm

3 CCT:

-K30 3000K
-K40 4000K
-K50 5000K
-K60 6000K

4 BEAM ANGLE:

-B24 24°
-B40 40°
-B60 60°

5 CRI:

-C80 CRI 80
-C90 CRI 90

6 DIMMING OPTIONS:

-NON NON-Dimmable
-DIM 1-10V

7 FINISH OPTIONS:

-WH White
-BL Black
-CUS Custom on request*

THINK BOLLARD - THINK BULLARD

sales@gordonbullard.com
www.bullardbollards.com
1-877-964-4646



991 South Gull Lake Dr
Richland, MI 49083
USA

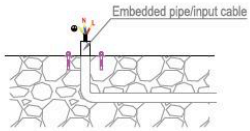


FIXTURE TYPE: _____

PROJECT NAME: _____

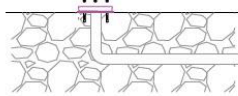
INSTALLATION INSTRUCTIONS:

1)



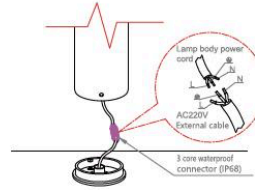
Drill the hole and install the expansion bolts.

2)



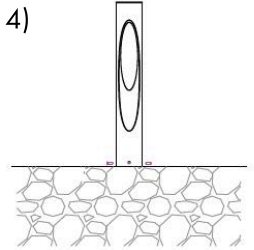
Install the mounting base with bolts.

3)



Connect to power supply with a waterproof(IP68) connector.

4)



Install the lamps in mounting bracket.

THINK BOLLARD - THINK BULLARD

sales@gordonbullard.com
www.bullardbollards.com
1-877-964-4646



991 South Gull Lake Dr
Richland, MI 49083
USA