



**BULLARD**  
**BOLLARDS**  
Think Bollard Think Bullard

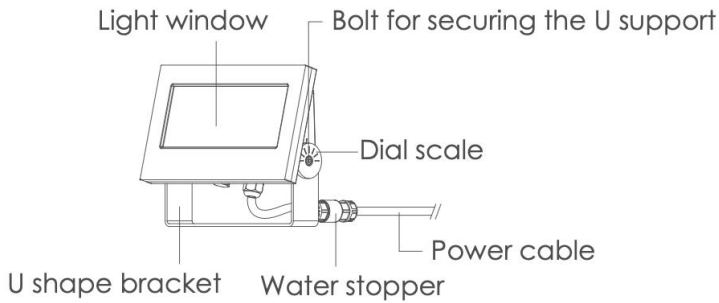
INSTALLATION INSTRUCTION  
01/28/2026

# ANCER



## Exterior details

### Luminaire



### Data Sheet:

Input Voltage (V): 110-277  
 IK 05 / 06

### Accessories:

#### Bevel cut hood

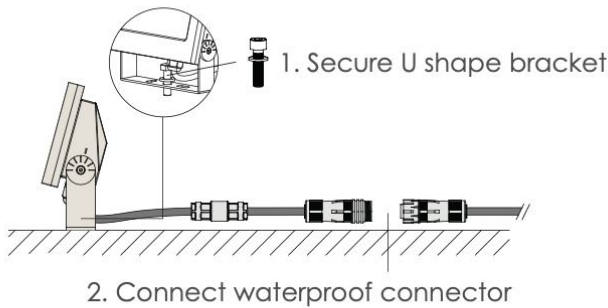
- CA3023 
- CA3024 
- CA3025 

#### Anti Glare Louver:

- CA3026 
- CA3027 
- CA3028 

## Installation steps

### Step 1



### Step 2

