



**BULLARD
BOLLARDS**
Think Bollard Think Bullard

KILAR
BB-10301-BL





FIXTURE TYPE: _____

PROJECT NAME: _____



GENERAL INFORMATION:

The Kilar bollard stands 39.37" tall with a 4.72" diameter, featuring LED lighting with CCT options of 3000K or 4000K and dimming options of non-dimmable or 0-10V. Available in satin black (RAL9005) and graphite (RAL7024), it has an aluminum housing and PMMA optic material, finished with powder coating. It offers a 360° beam angle, an IP65 rating, and a 5-year warranty. Designed for high visual comfort and minimal design, it is shock resistant and operates in temperatures ranging from -40° to +60°. Appliance class II.

FIXTURE TYPE:

Bollard

VOLTAGE:

110-277V



MATERIAL:

Optic material -	PMMA
Housing material -	Aluminum
Product surface finishing -	Powder coating

IP RATING:

IP 65



WARRANTY:

LED lighting products are warranted for 5 years.

APPLIANCE CLASS:

II



MAIN FEATURES:

- High visual comfort
- Wide range of finishes
- Functional design
- Minimal design
- Shock resistant
- Operating Temperature: -40°~ +60°

THINK BOLLARD - THINK BULLARD

sales@gordonbullard.com
www.bullardbollards.com
1-877-964-4646

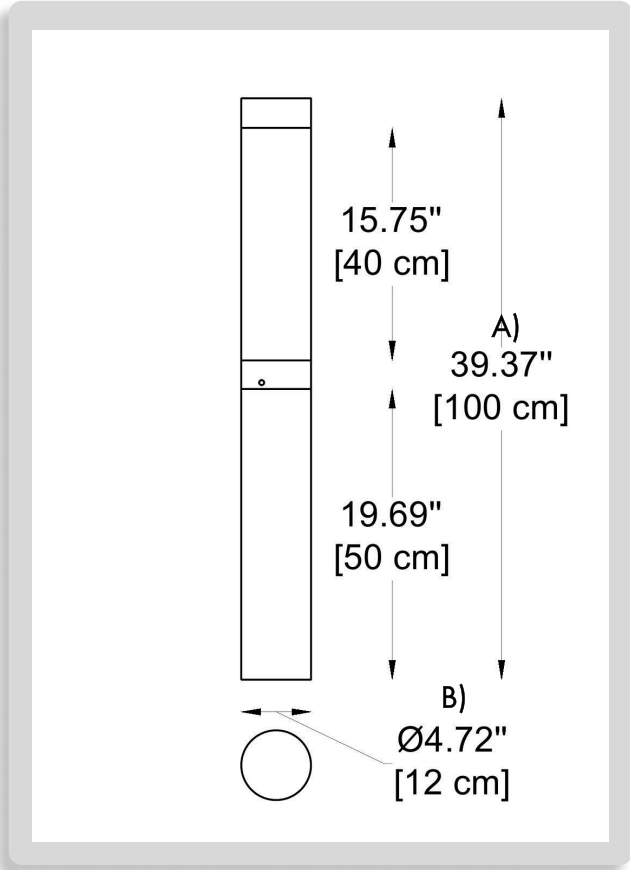


991 South Gull Lake Dr
Richland, MI 49083
USA



FIXTURE TYPE: _____

PROJECT NAME: _____



HOW TO ORDER:

CODE:

Example:
CODE: BB-10301-BL-K30-DIM-RAL9005

BB-10301-BL-K30-DIM-RAL9005

1 DIMENSIONS:

A) Height - H: 39.37" (100 cm)
B) Diameter - Ø: 4.72" (12 cm)

2 LIGHT SOURCE:

LED / 10W / 1000 lm / CRI 80 / 360°

3 CCT:

-K30 3000K
-K40 4000K

4 DIMMING OPTIONS:

-NON NON-Dimmable
-DIM 0-10V

5 FINISH OPTIONS:

-RAL9005 Satin Black
-RAL7024 Graphite



THINK BOLLARD - THINK BULLARD

sales@gordonbullard.com
www.bullardbollards.com
1-877-964-4646



991 South Gull Lake Dr
Richland, MI 49083
USA