



**BULLARD  
BOLLARDS**  
Think Bollard Think Bullard

## THE AVOCET

INSTALLATION TYPE:  
PARK/URBAN/  
GARDEN POLE  
LUMINAIRES

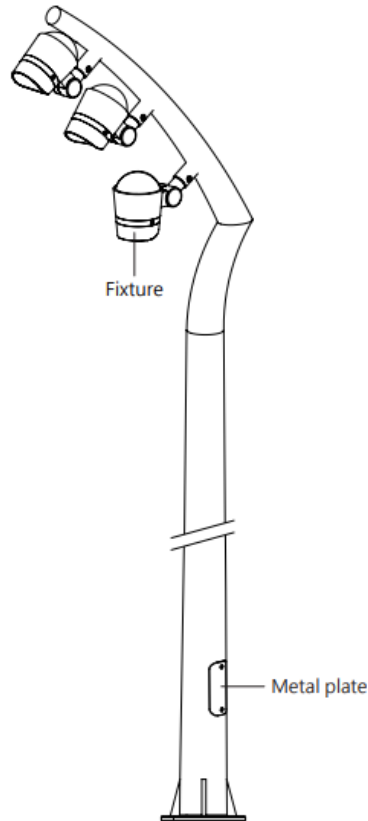


**B0BRQ0326**

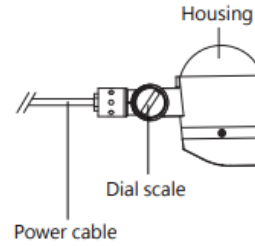
Garden Pole Light

1. Exterior details

1.1 Pole



1.2 Luminaire - B0BRY0126



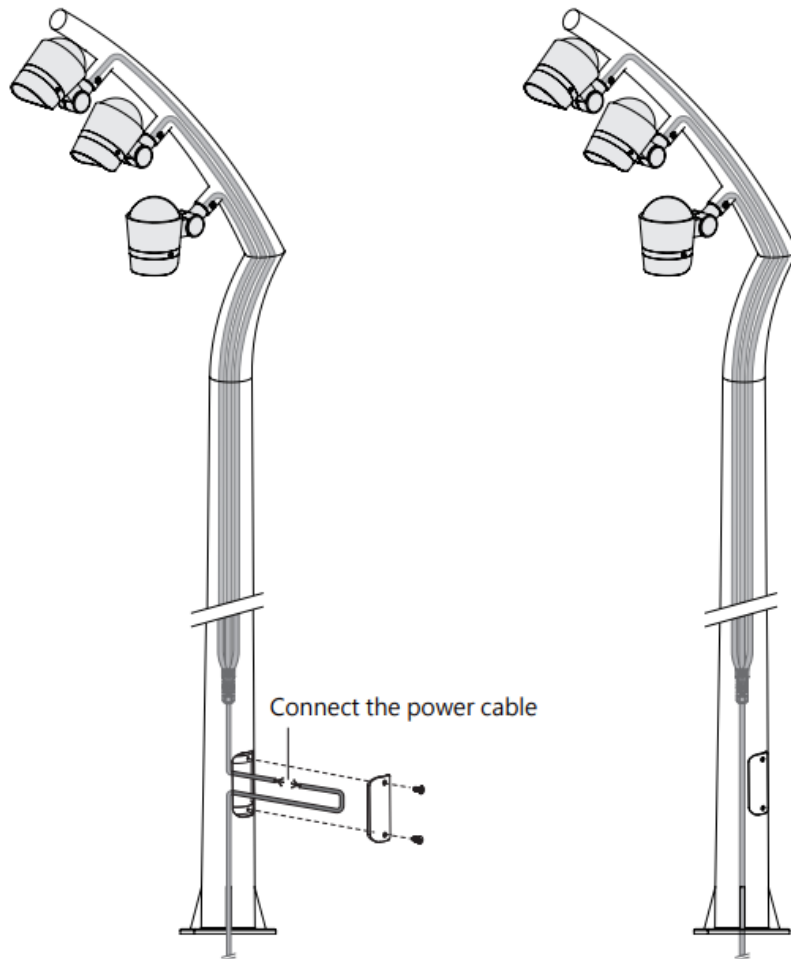
2. Datasheet

Housing:	12# Die-casting aluminum finishing or powder painting T=60-80µm. Adhesion of ISO class 1/ASTM class 4B
Light Window:	Tempered Glass.T=3mm
Gasket:	Tooling shaped seal
LED Driver:	Constant Voltage Input, Constant Current Output
Power Cable:	H05RN-F 3x1.0mm <sup>2</sup>
Operating Restrict:	Temperature of environment between -20°C~40°C

Light Source: 3×7W  
Beam Angle: 24°  
Input Voltage(v): 240  
Operating Current(mA): 120  
Consumption(w): 25.8  
Luminance(lm): 2202  
IK: 07

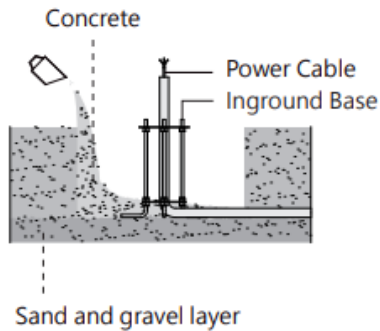
### 3.Installation

#### Step 1

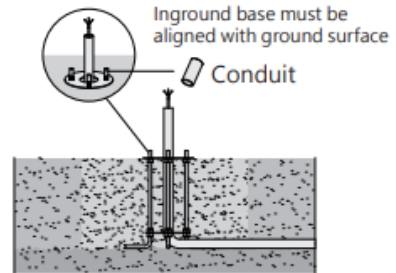


## Step 2

2-1 Place the base on the installation surface and pass the conduit containing the reserved power cable through the base



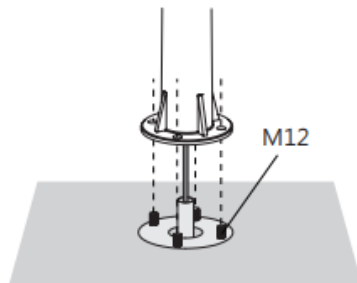
2-2 Pour in cement until it is level with the upper layer of the base



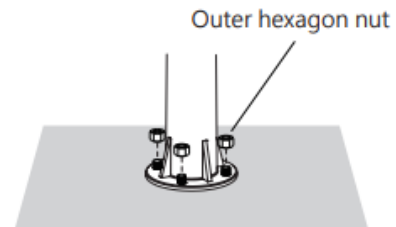
※ Please cover the scre with conduit to protect it from cement

## Step 3

3-1 Mount pole on to the screws of inground base



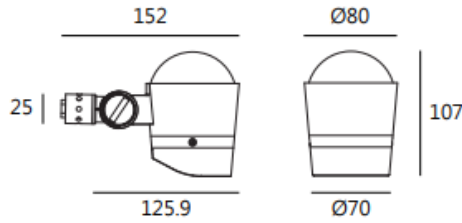
3-2 Use outer hexagon nuts to secure the pole to complete installations



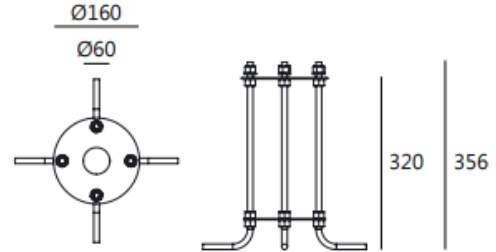
## 4. Appendix

### 4.1 External dimension(mm)

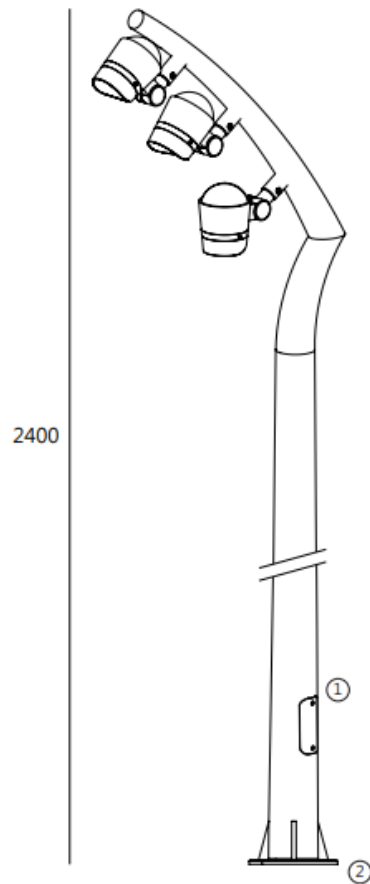
#### Luminaire - B0BRY0126



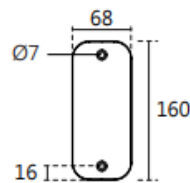
#### Inground Base (Option)



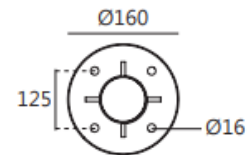
#### Pole



① Metal plate



② Flange



## 4.2 Adjust fixtures

