



**BULLARD
BOLLARDS**
Think Bollard Think Bullard

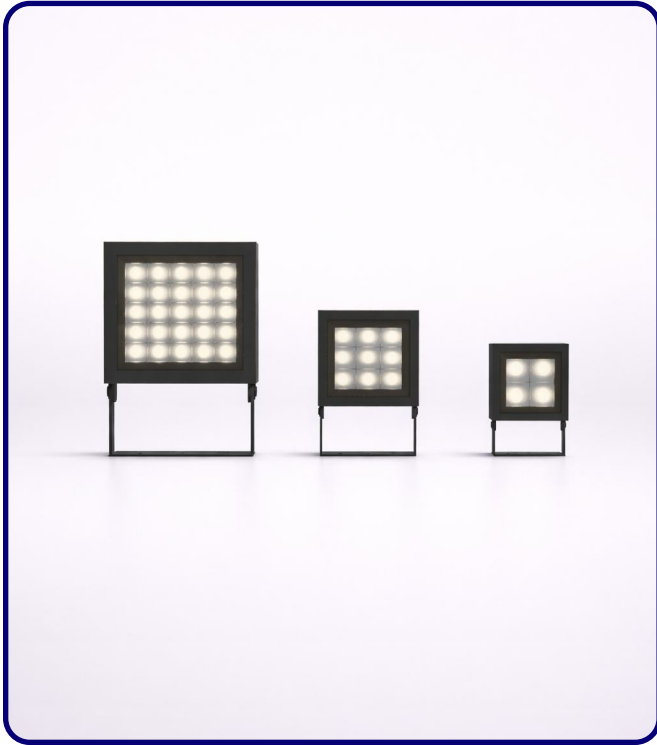
ANCER Spotlight - High Power Spotlight





FIXTURE TYPE: _____

PROJECT NAME: _____



GENERAL INFORMATION:

The ANCER Spotlight – Universal Type represents a high-performance and versatile outdoor lighting solution from the Bullard Outdoor range, engineered under the brand’s “Built for the Storm” philosophy. Designed for demanding environments and precise illumination, the ANCER series delivers reliable performance with modern aesthetics, making it ideal for architectural, landscape, and area lighting applications.

FIXTURE TYPE:

Spotlight - Universal Type

LIGHTING

LED



VOLTAGE:

110-277V



MATERIAL:

12# Die-casting aluminum finishing

LENS:

Tempered glass.T=3mm

CRI:

80

IP RATING:

IP 66



IK RATING:

IK 05 / 06

FINISHING:

- Sanded Bronze
- Sanded Dark Gray
- Sanded Black
- Sanded White

sales@gordonbullard.com
www.bullardbollards.com
1-877-964-4646



991 South Gull Lake Dr
Richland, MI 49083
USA

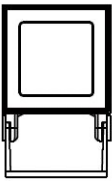


FIXTURE TYPE: _____

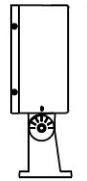
PROJECT NAME: _____

NOTES:

12cm
(4.72")



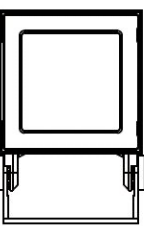
7.5cm
(2.95")



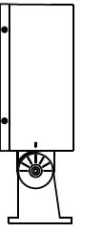
-B3EME0459

19cm
(7.5")

16cm
(6.30")



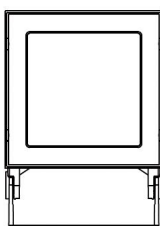
8cm
(3.14")



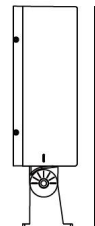
-B3FME0958

23.8cm
(9.37")

25cm
(9.84)



10cm
(3.93")



-B3GME2558

34.7cm
(13.66")



HOW TO ORDER:

CODE:

Example:
CODE: BO-ANC-KPG-SPT-XXX-XXX-XXX-XXX

BO-ANC-KPG-SPT-
B3EME0459-K30-KAP7008-
DIM-B-CA3023-CA3026

1 MODELS:

CODE **-B3EME0459**

DIMENSIONS:

Height - H: 7.5" (19 cm)
Length - L: 4.72" (12 cm)
Width - W: 2.95" (7.5 cm)

LIGHT SOURCE:

LED / 4 x 3.5W / 146 mA / 1206 lm / 110-277V / IK 05

CODE **-B3FME0958**

DIMENSIONS:

Height - H: 9.37" (23.8 cm)
Length - L: 6.3" (16 cm)
Width - W: 3.14" (8 cm)

LIGHT SOURCE:

LED / 9 x 3W / 245 mA / 2541 lm / 110-277V / IK 06

CODE **-B3GME2558**

DIMENSIONS:

Height - H: 13.66" (34.7 cm)
Length - L: 9.84" (25 cm)
Width - W: 3.93" (10 cm)

LIGHT SOURCE:

LED / 25 x 3W / 596 mA / 5832 lm / 110-277V / IK 06

2 CCT OPTIONS:

-K30 3000K
-CUS Custom on request*

3 FINISH OPTIONS:

-KAP7008 Sanded Bronze
-KAP7037 Sanded Dark Gray
-RAL 9005 Sanded Black
-RAL9003 Sanded White

sales@gordonbullard.com
www.bullardbollards.com
1-877-964-4646



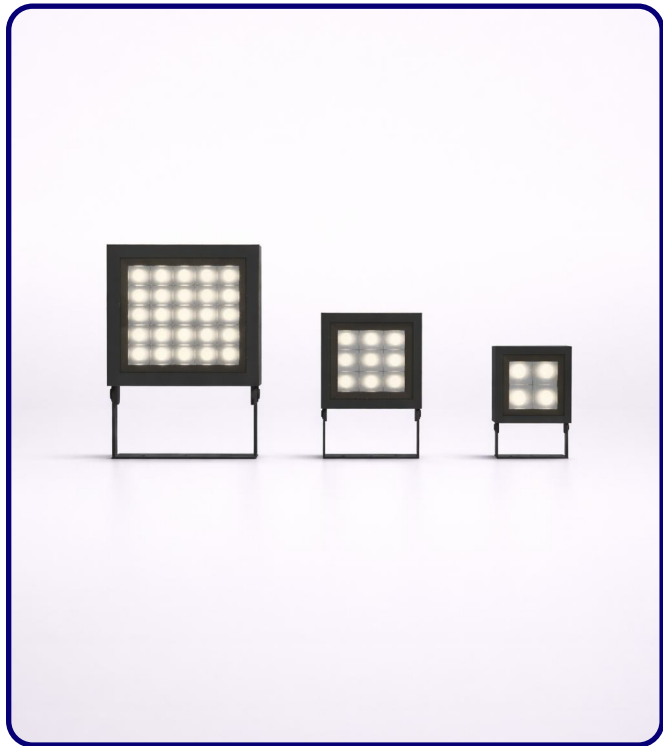
991 South Gull Lake Dr
Richland, MI 49083
USA



FIXTURE TYPE: _____

PROJECT NAME: _____

NOTES:



HOW TO ORDER:

CODE:

Example:
CODE: BO-ANC-KPG-SPT-XXX-XXX-XXX-XXX

BO-ANC-KPG-SPT-
B3EME0459-K30-KAP7008-
DIM-B-CA3023-CA3026

4 DIMMING OPTIONS:

- DIM 1-10V
- PWM Pulse Width Modulation
- DALI DALI (Digital Addressable Lighting Interface)

5 WATER PROOF SOLUTION: (optional)

- A Water-Stopper(Included)**
A IP-66 water-stopper is added in the end of luminaires as standard assembly which is also an important system for water resistance.
- B IP67 Jiffy quick plug/socket connector(Optional)**
A IP-67 connector is as an optional assembly and ensures that water vapor will not enter into luminaires directly.



6 ACCESSORIES:

BEVEL CUT HOOD

- | | | | |
|---------|------------|--|--|
| -CA3023 | -B3EME0459 | | |
| -CA3024 | -B3FME0958 | | |
| -CA3025 | -B3GME2558 | | |

ANTI GLARE LOUVER

- | | | | |
|---------|------------|--|--|
| -CA3026 | -B3EME0459 | | |
| -CA3027 | -B3FME0958 | | |
| -CA3028 | -B3GME2558 | | |

sales@gordonbullard.com
www.bullardbollards.com
1-877-964-4646



991 South Gull Lake Dr
Richland, MI 49083
USA



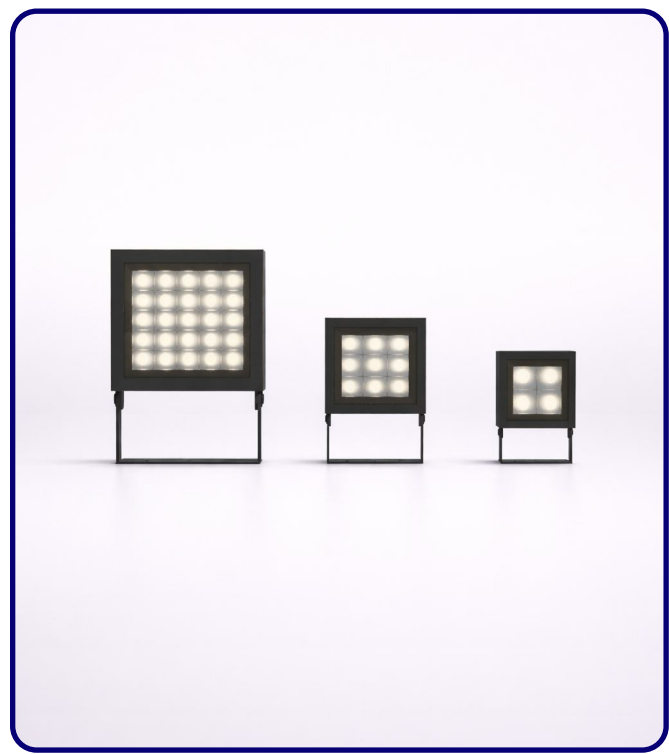
**BULLARD
BOLLARDS**
Think Bullard Think Bullard

**CODE:
BO-ANC-KPG-SPT**

FIXTURE TYPE: _____

PROJECT NAME: _____

NOTES:



HOW TO ORDER:

CODE:

Example:
CODE: BO-ANC-KPG-SPT-XXX-XXX-XXX-XXX

BO-ANC-KPG-SPT-
B3EME0459-K30-KAP7008-
DIM-B-CA3023-CA3026

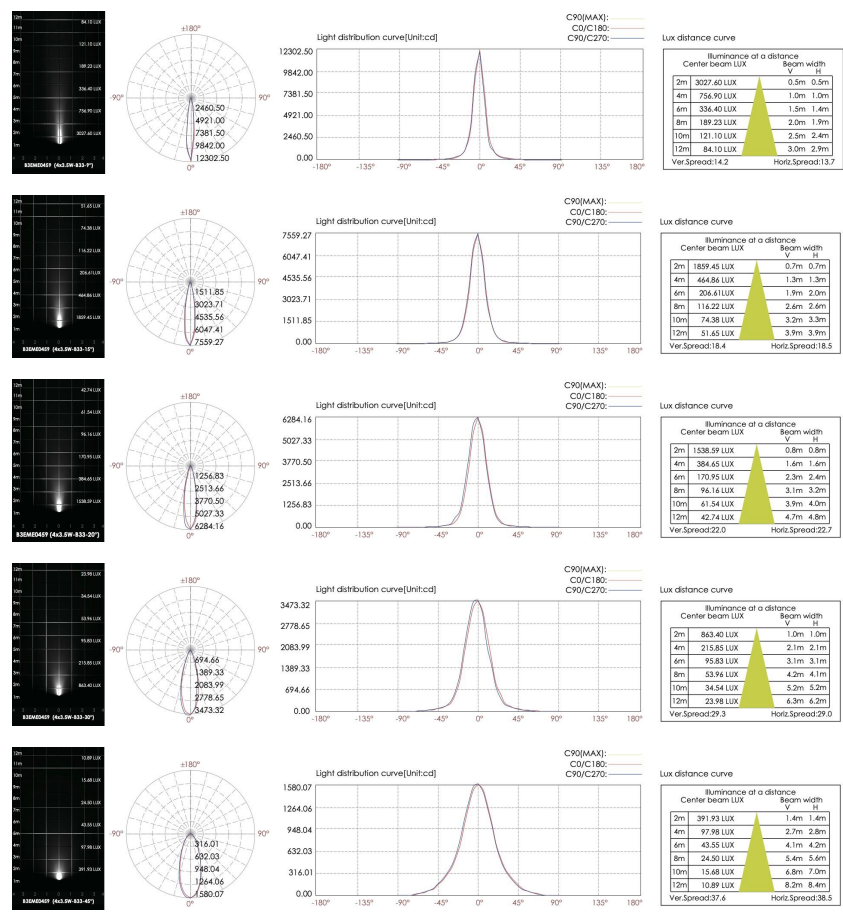
4 BEAM ANGLE:

available only for
B3FME0958 model

- FB12B5-9 9°
- FB12B5-15 15°
- FB12B5-20 20°
- FB12B5-30 30°
- FB12B5-45 45°
- FB12B5-60 60°

- FB11B4-9 9°
- FB11B4-15 15°
- FB11B4-20 20°
- FB11B4-30 30°
- FB11B4-45 45°
- FB11B4-60 60°

7 PHOTOMETRIC INFO:



sales@gordonbullard.com
www.bullardbollards.com
1-877-964-4646



991 South Gull Lake Dr
Richland, MI 49083
USA



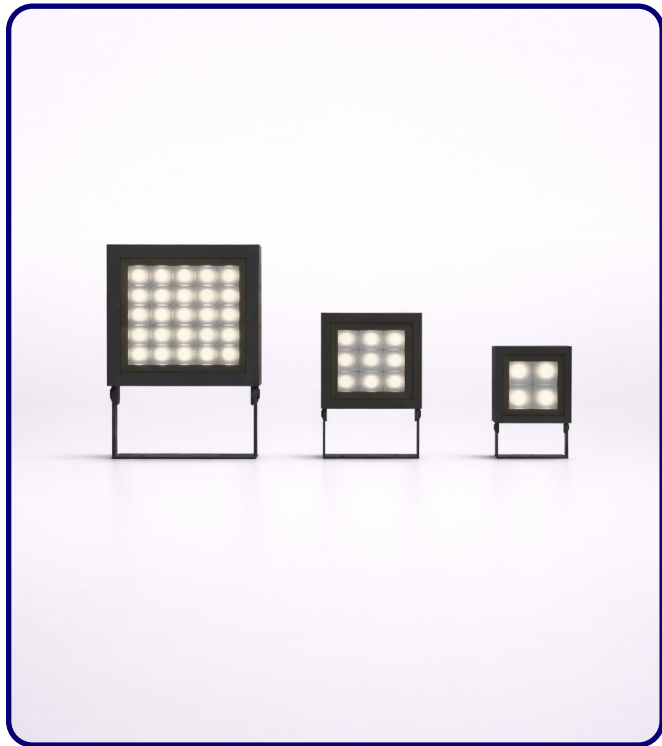
BULLARD BOLLARDS
Think Bollard Think Bullard

**CODE:
BO-ANC-KPG-SPT**

FIXTURE TYPE: _____

PROJECT NAME: _____

NOTES:

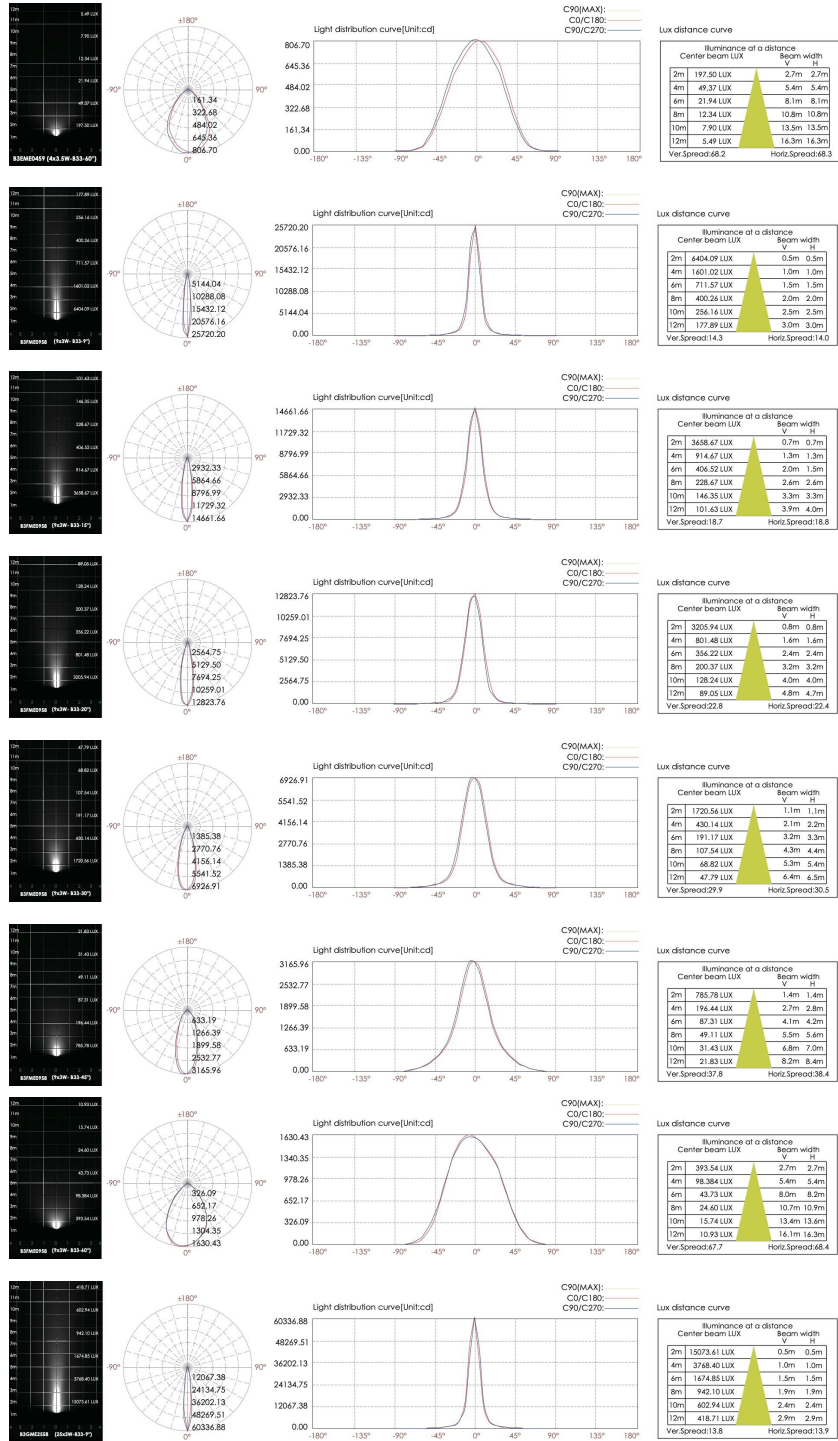


HOW TO ORDER:

Example:
CODE: BO-ANC-KPG-SPT-XXX-XXX-XXX-XXX

CODE:

BO-ANC-KPG-SPT-
B3EME0459-K30-KAP7008-
DIM-B-CA3023-CA3026



sales@gordonbullard.com
www.bullardbollards.com
1-877-964-4646



991 South Gull Lake Dr
Richland, MI 49083
USA



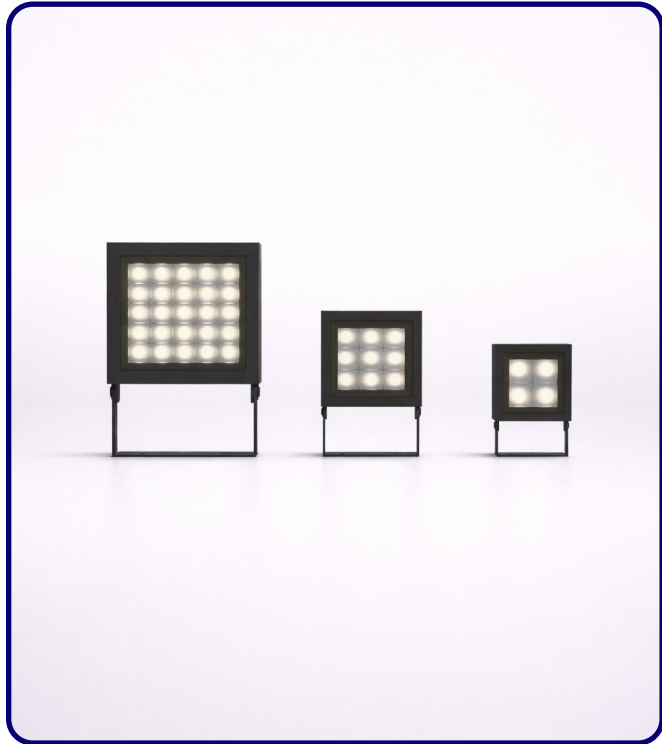
**BULLARD
BOLLARDS**
Think Bullard Think Bullard

**CODE:
BO-ANC-KPG-SPT**

FIXTURE TYPE: _____

PROJECT NAME: _____

NOTES:

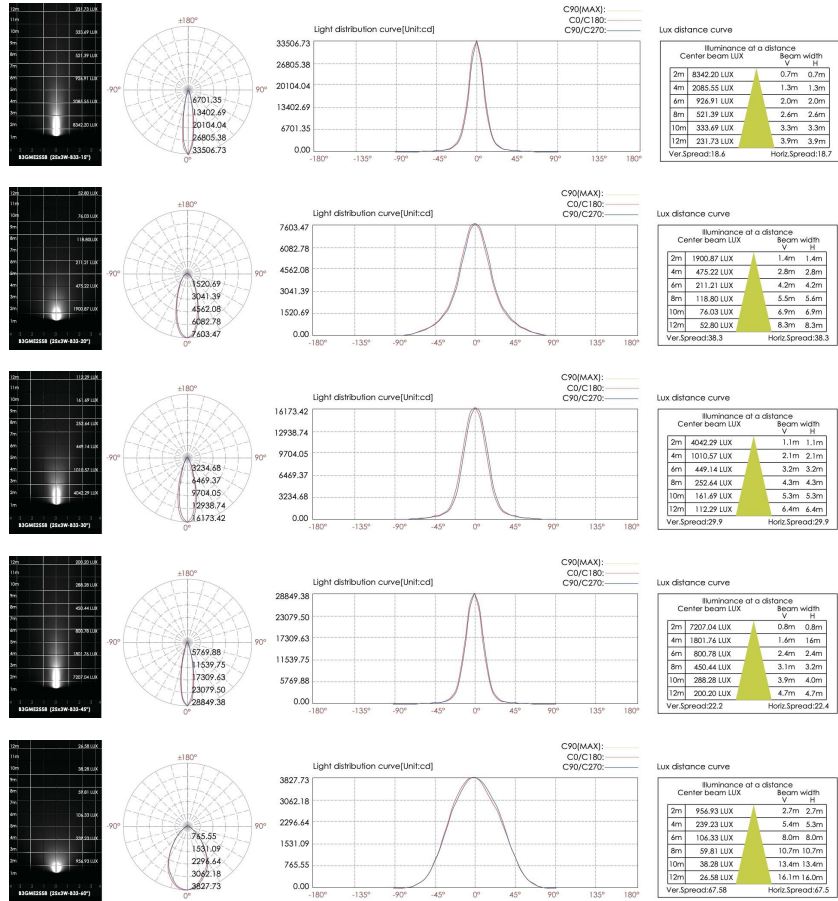


HOW TO ORDER:

CODE:

Example:
CODE: BO-ANC-KPG-SPT-XXX-XXX-XXX-XXX

BO-ANC-KPG-SPT-
B3EME0459-K30-KAP7008-
DIM-B-CA3023-CA3026



sales@gordonbullard.com
www.bullardbollards.com
1-877-964-4646



991 South Gull Lake Dr
Richland, MI 49083
USA