



**BULLARD  
BOLLARDS**  
Think Bollard Think Bullard

# THE WHOOPING CRANE

## Park/Urban/Garden Pole Luminaires





**BULLARD  
BOLLARDS**  
Think Bullard Think Bullard

**CODE:  
BB-TWC-KPG-PL**

FIXTURE TYPE: \_\_\_\_\_

PROJECT NAME: \_\_\_\_\_

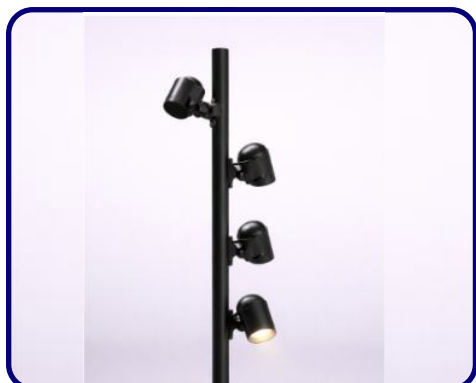
-BOBRC0226



-BOBRC0326



-BOBRC0426



**GENERAL INFORMATION:**

THE WHOOPING CRANE by Bullard Outdoor blends architectural presence with dependable outdoor performance. Defined by a tall, minimal pole and adjustable cylindrical spotlight heads, its clean, utilitarian design is ideal for parking areas, plazas, pathways, and large-scale architectural exteriors. The multi-head configuration allows for targeted illumination across wide outdoor spaces.

Constructed from die-cast aluminum with a durable powder-coated finish, THE WHOOPING CRANE is engineered for long-term outdoor use with excellent corrosion resistance. It features efficient LED lighting delivering controlled, focused light with a CRI of 80. Designed to operate on 110–277V, it offers reliable protection with an IP65 weather rating and IK07 impact resistance. Available in sanded black and dark gray finishes.

**FIXTURE TYPE:**

Park And Garden Pole Luminaires

**LIGHTING**

LED **LED**

**VOLTAGE:**

110-277V

**MATERIAL:**

Die-casting aluminum finishing

**LENS:**

B71

**CRI:**

80

**IP RATING:**

IP 65 **IP65**

**IK RATING:**

IK 07

**BUILT FOR THE STORM**

sales@gordonbullard.com  
www.bullardoutdoor.com  
1-877-964-4646



991 South Gull Lake Dr  
Richland, MI 49083  
USA



FIXTURE TYPE: \_\_\_\_\_

PROJECT NAME: \_\_\_\_\_

NOTES:

-BOBRC0226



-BOBRC0326



-BOBRC0426



**HOW TO ORDER:**

**CODE:**

Example:  
CODE: BB-TWC-KPG-PL-BOBRC0226-K30-KAP7037-DIM-B15-A1-IB

BB-TWC-KPG-PL-  
BOBRC0226-K30-  
KAP7037-DIM-B15-A1-IB

1

**MODELS:**

CODE -BOBRC0226

DIMENSIONS:

Pole Diameter - Ø: 1.57" (4 cm)  
Height - H: 47.2" (120 cm)

LIGHT SOURCE:

LED / 17.2 W / 80 mA / 1468 lm / 110-277V

CODE -BOBRC0326

DIMENSIONS:

Pole Diameter - Ø: 1.57" (4 cm)  
Height - H: 59.1" (150 cm)

LIGHT SOURCE:

LED / 25.8 W / 120 mA / 2202 lm / 110-277V

CODE -BOBRC0426

DIMENSIONS:

Pole Diameter - Ø: 1.57" (4 cm)  
Height - H: 59.1" (150 cm)

LIGHT SOURCE:

LED / 34.4 W / 160 mA / 2936 lm / 110-277V

2

**CCT OPTIONS:**

-K30 3000K  
-CUS Custom on request\*

3

**FINISH OPTIONS:**

-KAP7037 Sanded Dark Gray  
-RAL9005 Sanded Black

4

**DIMMING OPTIONS:**

-DIM 1-10V  
-PWM Pulse Width Modulation  
-DALI DALI (Digital Addressable Lighting Interface)

sales@gordonbullard.com  
www.bullardoutdoor.com  
1-877-964-4646



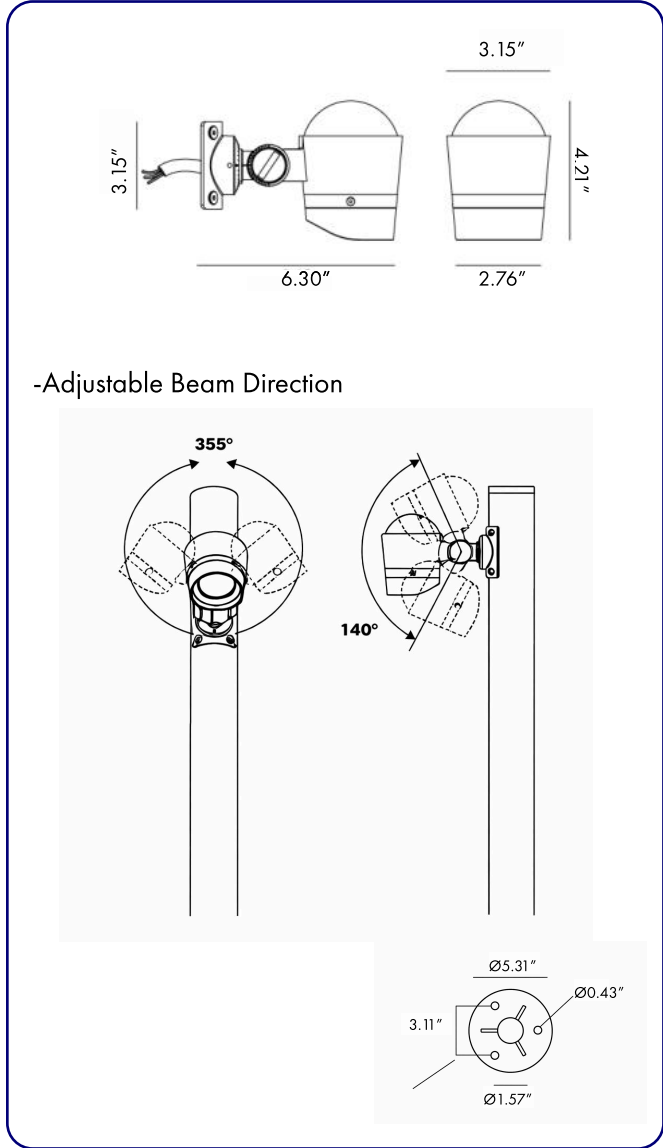
991 South Gull Lake Dr  
Richland, MI 49083  
USA



FIXTURE TYPE: \_\_\_\_\_

PROJECT NAME: \_\_\_\_\_

NOTES:



**HOW TO ORDER:**

**CODE:**

Example:  
 CODE: BB-TWC-KPG-PL-B0BRC0226-K30-KAP7037-DIM-B15-A1-IB

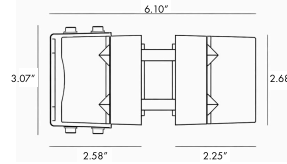
BB-TWC-KPG-PL-  
 B0BRC0226-K30-  
 KAP7037-DIM-B15-A1-IB

**5 BEAM**

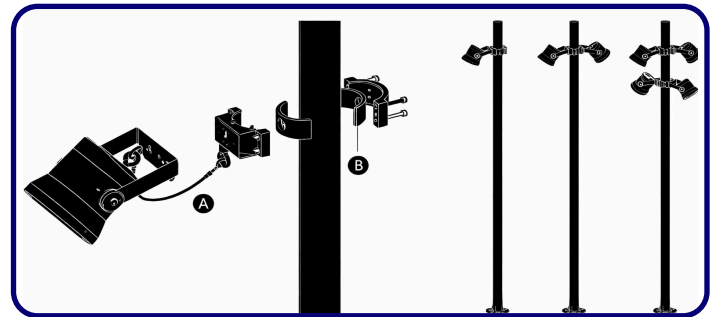
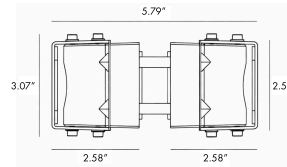
- B15 15°
- B24 24°
- B45 45°
- B60 60°

**6 ACCESSORIES**

-A1 One side - BO-RP001-KPG-BL



-A2 Two sides - BO-RP002-KPG-BL



- 1 Compatible with all brands and models.
- 2 Safety hook(s) included (see A of image 1)
- 3 Two sizes of rubber gaskets included (see B of image 1) which can be selected based on the diameter of the installing pole. Please refer to the manual for details.
- 4 All stainless steel 304# screws

sales@gordonbullard.com  
 www.bullardoutdoor.com  
 1-877-964-4646



991 South Gull Lake Dr  
 Richland, MI 49083  
 USA



**BULLARD  
BOLLARDS**  
Think Bollard Think Bullard

**CODE:  
BB-TWC-KPG-PL**

FIXTURE TYPE: \_\_\_\_\_

PROJECT NAME: \_\_\_\_\_

NOTES:

-BOBRC0226



-BOBRC0326



-BOBRC0426



LED
110-277V
UL
IP65

**HOW TO ORDER:**

**CODE:**

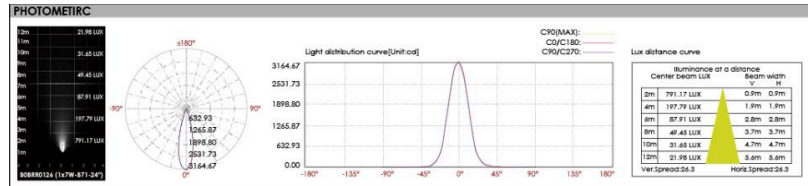
Example:  
 CODE: BB-TWC-KPG-PL-BOBRC0226-K30-KAP7037-DIM-B 15-A1-IB

BO-TWC-KPG-PL-BOBRC0226-K30-KAP7037-DIM-B 15-A1-IB

**7 INSTALLATION TYPE:**

- SB Screw Base (included)
- IB Inground Base (optional)
- GAB Ground Anchor Base (optional)

**8 PHOTOMETRIC INFO:**



sales@gordonbullard.com  
 www.bullardoutdoor.com  
 1-877-964-4646



991 South Gull Lake Dr  
 Richland, MI 49083  
 USA