



**BULLARD  
BOLLARDS**  
Think Bollard Think Bullard

# BUNNY TRACK 900 (INGROUND LUMINAIRES)



FIXTURE TYPE: \_\_\_\_\_

PROJECT NAME: \_\_\_\_\_

NOTES:



**GENERAL INFORMATION:**

The Bunny Track 900 is a versatile linear inground LED luminaire engineered for precise and high-performance architectural lighting. Designed with a stainless steel AISI 316L trim and a durable extruded aluminum EN AW-6060 T5 housing, it offers outstanding resistance to corrosion and demanding outdoor environments, supported by an IP67 rating and an 8 mm tempered glass diffuser. With a wide selection of beam angles—including narrow, medium, symmetric, and asymmetric wall-washer options—it adapts seamlessly to façade illumination, landscape accents, and wall grazing applications. Equipped with high-efficiency LED configurations in 3000K or 4000K, an included driver, and dimming options such as 0–10V, Casambi, and DALI, the Bunny Track 900 delivers high visual comfort, functional minimal design, and long-term reliability, backed by a 5-year warranty.

**LIGHTING:**

LED **LED**

**VOLTAGE:**

110-277V 

**GASKETS:**

Silicone gaskets

**FIXTURE TYPE:**

Inground Luminaires

**MATERIAL:**

Stainless steel AISI 316L, Extruded aluminum EN AW-6060 T5 high resistance to oxidation, Die-cast aluminum EN AB 44100 highly resistant to oxidation

**EXTERNAL SCREWS:**

Stainless steel A4-70 treated with highly antioxidant water-repellent lubricating solution

**DIFFUSER MATERIAL:**

Tempered glass 8mm

**IP RATING:**

IP 67 **IP67**

**THINK BOLLARD - THINK BULLARD**

sales@gordonbullard.com  
www.bullardbollards.com  
1-877-964-4646



991 South Gull Lake Dr  
Richland, MI 49083  
USA

FIXTURE TYPE: \_\_\_\_\_

PROJECT NAME: \_\_\_\_\_

NOTES:



**APPLINCE CLASS:**

|||

**OPERATION RANGE:**

110-277V - 50/60 Hz

**DRIVER POSITION:**

Included

**CRI:**

>90

**CABLE ENTRY / CABLE TYPE:**

Nylon cable gland M20 Ø 7/13 mm / H07RN8-F 3x1 mm2

**CORD LENGTH:**

0.5m

**LIGHT DISTRIBUTION:**

- 12° - Symmetrical narrow beam (<=15°)
- 25° - Symmetrical medium flood (15° - 45°)
- 50° - Symmetrical wide beam (45° - 125°)
- 14° x 47° - 2 Axis symmetrical
- 78° x 47° - Asymmetric flood (wall washer)

**BEAM DIRECTIONABILITY:**

Fixed optics

**OPTICS:**

Anti UV technopolymer lens

**WARRANTY:**

LED lighting products are warranted for 5 years.

**MAIN FEATURES:**

- High visual comfort / Wide range of finishes
- Functional design / Minimal design
- Shock resistant / Operating Temperature: -22°F~122°F

**FINISH OPTIONS:**

Stainless steel

**THINK BOLLARD - THINK BULLARD**

sales@gordonbullard.com  
www.bullardbollards.com  
1-877-964-4646

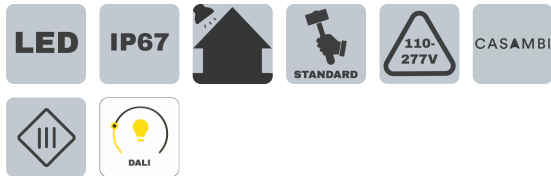
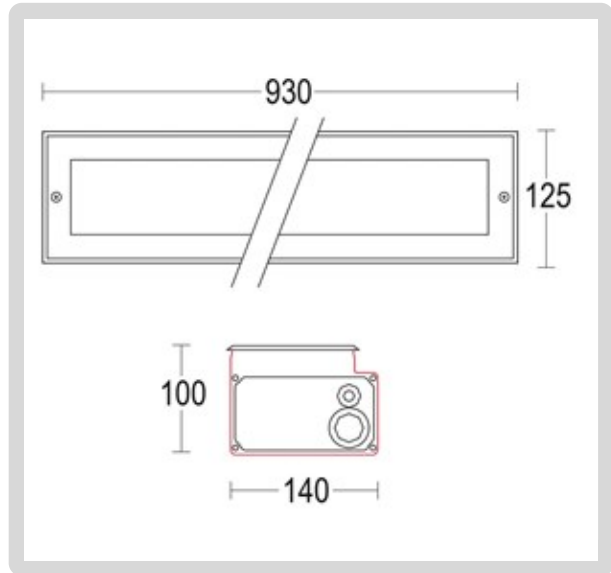


991 South Gull Lake Dr  
Richland, MI 49083  
USA



FIXTURE TYPE: \_\_\_\_\_

PROJECT NAME: \_\_\_\_\_



**HOW TO ORDER: CODE:**

**Example:**  
CODE: BB-001297.ACST-GH-B3-L3-DIM-AC204-5P

BB-001297.ACST-GH-B3-L3-DIM-AC204-5P

**1 MODELS:**

- A) Recessed depth - P: 3.94" (10 cm)
- B) Length - L: 36.61" (93 cm)
- C) Width - H: 4.92" (12.5 cm)
- D) Cutout length - CL: 38.31" (97.3 cm)
- E) Cutout width - CW: 5.51" (14 cm)

**2 BEAM ANGLE:**

- B1 12°
- B2 25°
- B3 50°
- B4 14° x 47°
- B5 78° x 47°

**3 LIGHT SOURCE:**

- L1 LED / 1 x 37.8W / 3000K / 1 x 3528 lm / 110-277V
- L2 LED / 1 x 48W / 3000K / 1 x 4536 lm / 110-277V
- L3 LED / 1 x 27W / 3000K / 1 x 2628 lm / 110-277V
- L4 LED / 1 x 37.8W / 4000K / 1 x 3924 lm / 110-277V
- L5 LED / 1 x 48W / 4000K / 1 x 5046 lm / 110-277V
- L6 LED / 1 x 27W / 4000K / 1 x 2916 lm / 110-277V

**4 DIMMING OPTIONS:**

- NON NON-Dimmable
- DIM 0-10V
- CAS Casambi
- DAL Dali

**THINK BOLLARD - THINK BULLARD**

sales@gordonbullard.com  
www.bullardbollards.com  
1-877-964-4646

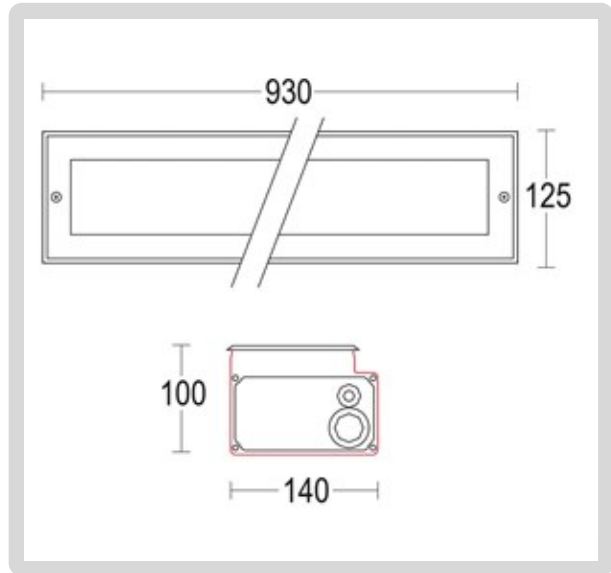


991 South Gull Lake Dr  
Richland, MI 49083  
USA



FIXTURE TYPE: \_\_\_\_\_

PROJECT NAME: \_\_\_\_\_



**HOW TO ORDER:**

**CODE:**

Example:  
CODE: BB-001297.ACST-GH-B3-L3-DIM  
-AC204-5P

BB-001297.ACST-  
GH-B3-L3-DIM  
-AC204-5P

**5 ACCESSORIES:**



**-AC204**

IP 68 fast connector 4P



**-AC204-5P**

IP 68 fast connector 5P



**-AC279**

IP 68 connector for through wiring 4P



**-AC279-5P**

IP 68 connector for through wiring 5P



**-AC282**

Rough-in housing 930x140x100



**THINK BOLLARD - THINK BULLARD**

sales@gordonbullard.com  
www.bullardbollards.com  
1-877-964-4646



991 South Gull Lake Dr  
Richland, MI 49083  
USA