



**BULLARD  
BOLLARDS**  
Think Bollard Think Bullard



# OOLITE TERRA

Bollards





Fixture Type:

Project Name:

Notes:



### General Information:

---

The OOLITE Terra is a minimalist outdoor path light designed to illuminate and define walkways and transit areas with subtle elegance.

Its iconic rounded head combined with a diffuser creates a soft 180° grazing light, enhancing visibility while maintaining a clean, contemporary aesthetic.

Inspired by the form of a floating water lily, the fixture appears to hover in space, becoming both a functional and decorative element in outdoor environments.

Handcrafted in Italy from durable, eco-friendly materials, it is ideal for modern landscaping projects such as gardens, terraces, and pathways.

### Lighting:

---

LED

### Voltage:

---

110-277V

### Material:

---

BETALY®

### IP Rating:

---

IP 65

### Appliance Class:

---

III



Due to the dynamic nature of lighting products and the associated technologies, luminaire data on all specification sheets is subject to change at the discretion of Gordon Bullard LLC and associated companies.

**THINK BOLLARD - THINK BULLARD**

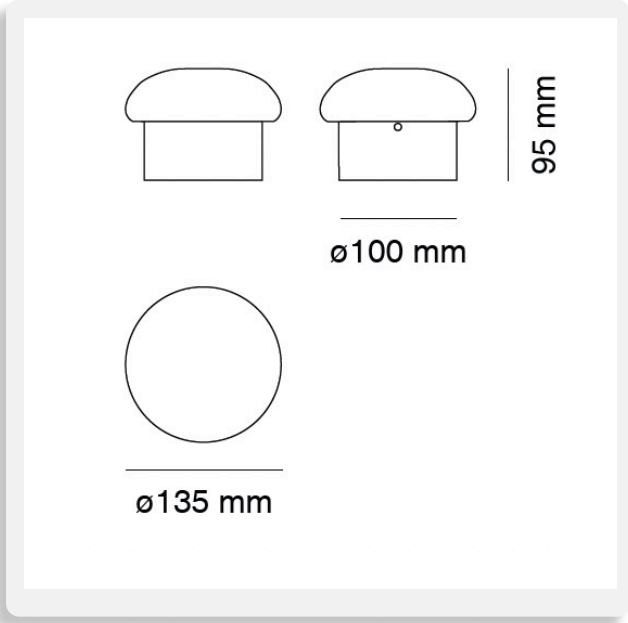
[sales@gordonbullard.com](mailto:sales@gordonbullard.com) / [www.bullardbollards.com](http://www.bullardbollards.com) / 1-877-964-4646

991 South Gull Lake Dr Richland, MI 49083 USA



Fixture Type:

Project Name:



HOW TO ORDER:  CODE:

**Example:**  
**CODE: BB-1112F-9010-K22-393-DIM**

**BB-1112F-9010-  
K22-393-DIM**

**1 DIMENSIONS:**

Diameter 1 - Ø: 5.31" (13.5 cm)  
Diameter 2- Ø: 3.94"(10 cm)  
Hight - H: 3.74"(9.5 cm)

**2 LIGHTING SOURCE:**

LED / 4.5W / 110-277V / CRI 80

**3 CCT&LUMENS:**

-K22 2200K = 605 lm  
-K27 2700K = 635 lm  
-K30 3000K = 670 lm

**4 FINISH OPTIONS:**

- 393 GREEN
- 394 CORTEN
- 395 GREY
- 396 BLACK
- 397 SAND

**5 DIMMING OPTIONS:**

- DIM 0-10V
- DALI DALI
- LT Lutron
- CS Casambi
- WF WI-FI
- NON Non-Dimmable



Due to the dynamic nature of lighting products and the associated technologies, luminaire data on all specification sheets is subject to change at the discretion of Gordon Bullard LLC and associated companies.

**THINK BOLLARD - THINK BULLARD**

[sales@gordonbullard.com](mailto:sales@gordonbullard.com) / [www.bullardbollards.com](http://www.bullardbollards.com) / 1-877-964-4646  
991 South Gull Lake Dr Richland, MI 49083 USA