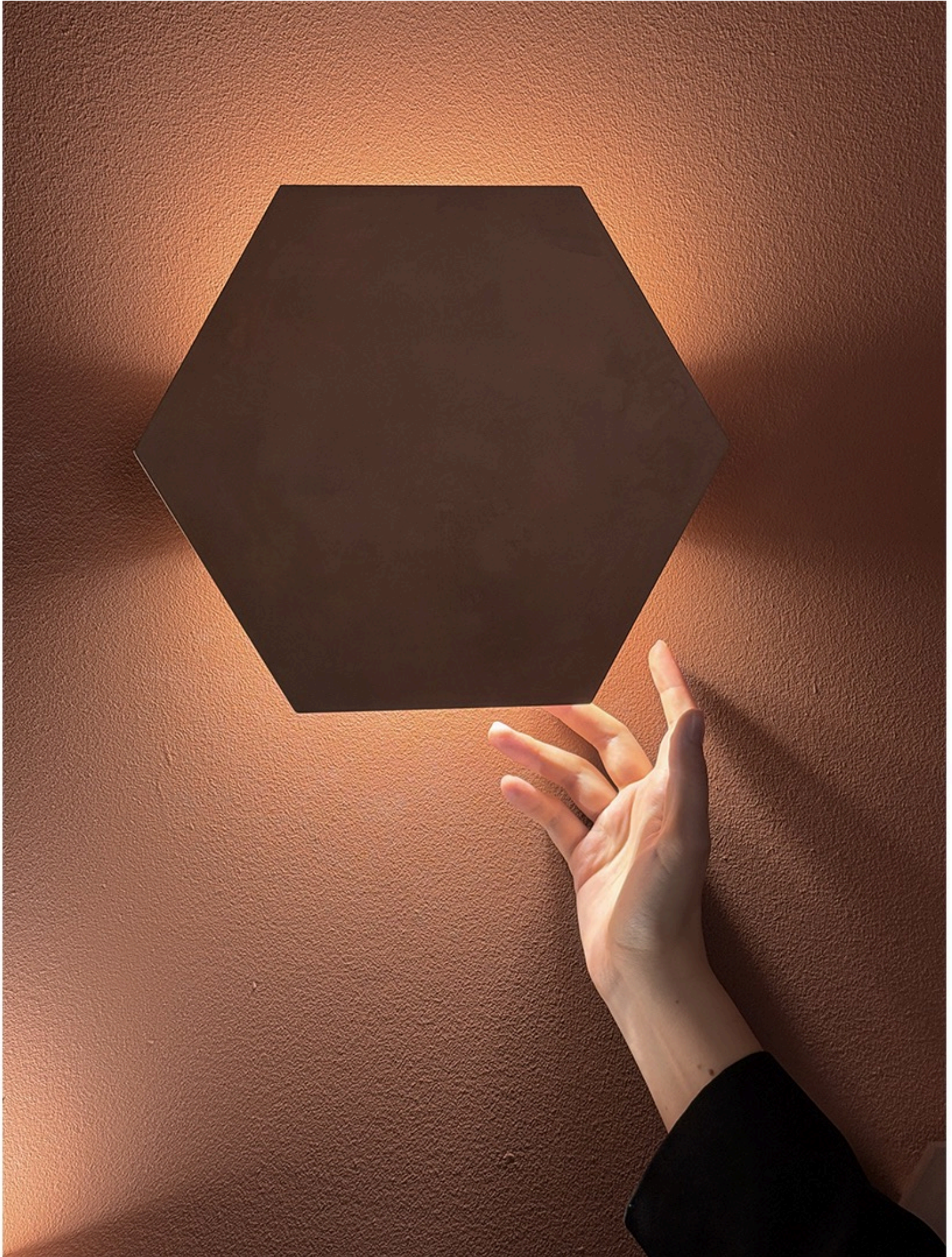




**BULLARD  
BOLLARDS**  
Think Bollard Think Bullard

# HEXA (SURFACE MOUNTED WALL LUMINAIRES)





FIXTURE TYPE: \_\_\_\_\_

PROJECT NAME: \_\_\_\_\_

NOTES:



**GENERAL INFORMATION:**

The HEXA wall lamp from Bullard Bollards transforms a simple geometric form into a sculptural source of ambient light, blending minimalist design with Italian craftsmanship. Crafted for outdoor use, its grazing light effect enhances textured surfaces and architectural features while creating a warm, inviting atmosphere. Designed with both style and function in mind, this luminaire delivers indirect illumination that's subtle yet striking. Perfect for modern terraces, gardens, or façades, it elevates spaces with elegant lighting and refined contemporary appeal.

**FIXTURE TYPE:**

Surface Mounted Wall Luminaires

**LIGHTING:**

LED

**INPUT VOLTAGE:**

110-277V

**MATERIAL:**

BETALY®

**IP RATING:**

IP 65

**DRIVER POSITION:**

Remote

**INSULATION CLASS:**

III

**CRI:**

80

**WARRANTY:**

LED lighting products are warranted for 5 years.



**THINK BOLLARD - THINK BULLARD**

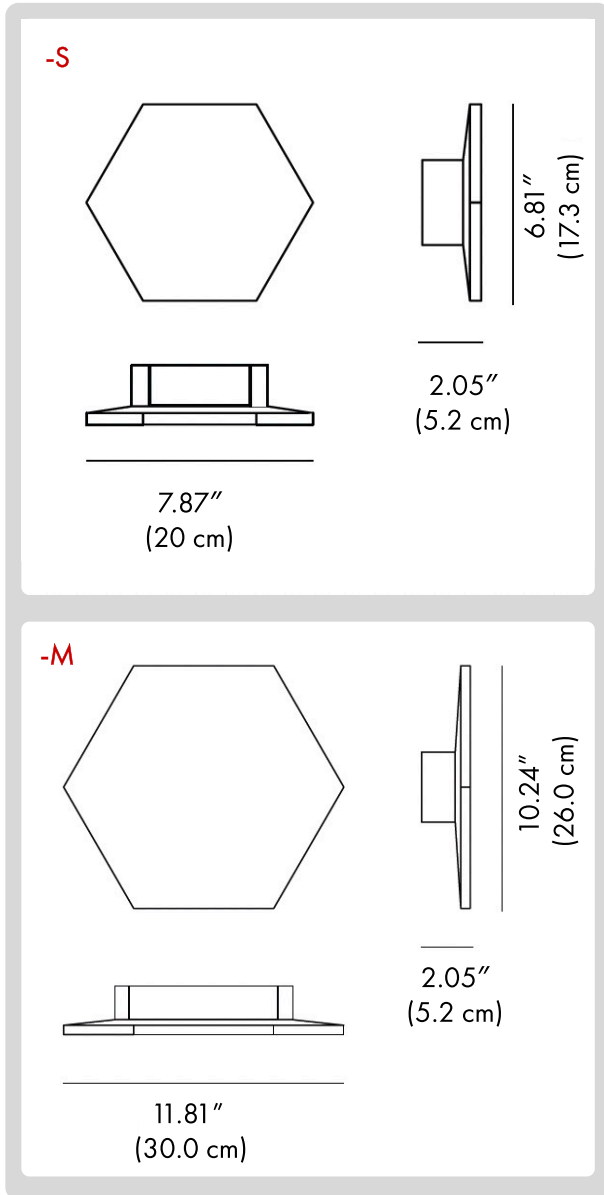
sales@gordonbullard.com  
www.bullardbollards.com  
1-877-964-4646



991 South Gull Lake Dr  
Richland, MI 49083  
USA

FIXTURE TYPE: \_\_\_\_\_

PROJECT NAME: \_\_\_\_\_



**HOW TO ORDER:**

**CODE:**

**Example:**  
CODE: BB-1099A/B-9010-S-L1-K20-DIM-396

BB-1099A/B-9010  
-S-L1-K20-  
DIM-396

**1 MODELS:**

**-S**

**DIMENSIONS:**

Height -	H: 6.81" (17.3 cm)
Length -	L: 7.87" (20.0 cm)
Width -	W: 2.05" (5.2 cm)

**LIGHT SOURCE:**

**-L1** LED / 5.5W / 110-277 V / CRI 80  
**-L2** LED / 11W / 110-277 V / CRI 80

**CCT&LUMENS:**

<b>-K20</b> 2200K = 720 lm	} <b>FOR L1 MODEL</b>
<b>-K27</b> 2700K = 760 lm	
<b>-K30</b> 3000K = 800 lm	
<b>-KK20</b> 2200K = 1440 lm	} <b>FOR L2 MODEL</b>
<b>-KK27</b> 2700K = 1520 lm	
<b>-KK30</b> 3000K = 1600 lm	

**WEIGHT:**

2.43 lb

**-M**

**DIMENSIONS:**

Height -	H: 10.24" (26.0 cm)
Length -	L: 11.81" (30.0 cm)
Width -	W: 2.05" (5.2 cm)

**LIGHT SOURCE:**

**-L1** LED / 11W / 110-277 V / CRI 80  
**-L2** LED / 22W / 110-277 V / CRI 80



**THINK BOLLARD - THINK BULLARD**

sales@gordonbullard.com  
www.bullardbollards.com  
1-877-964-4646



991 South Gull Lake Dr  
Richland, MI 49083  
USA

FIXTURE TYPE: \_\_\_\_\_

PROJECT NAME: \_\_\_\_\_

NOTES:



**HOW TO ORDER:**

**CODE:**

**Example:**  
**CODE: BB-1099A/B-9010-S-L1-K20-DIM-396**

BB-1099A/B-9010  
-S-L1-K20-  
DIM-396

**1 MODELS:**

**CCT&LUMENS:**

- |              |                 |                       |
|--------------|-----------------|-----------------------|
| <b>-K20</b>  | 2200K = 1440 lm | } <b>FOR L1 MODEL</b> |
| <b>-K27</b>  | 2700K = 1520 lm |                       |
| <b>-K30</b>  | 3000K = 1600 lm |                       |
| <b>-KK20</b> | 2200K = 2880 lm | } <b>FOR L2 MODEL</b> |
| <b>-KK27</b> | 2700K = 3040 lm |                       |
| <b>-KK30</b> | 3000K = 3200 lm |                       |

**WEIGHT:**

4.63 Lb

**2 DIMMING OPTIONS:**

- DIM** 0-10V
- DALI** DALI
- LT** Lutron
- CAS** Casambi
- NON** Non-Dimmable

**3 FINISH OPTIONS:**

- 392** White
- 393** Green
- 394** Corten
- 395** Grey
- 396** Black
- 397** Sand



**THINK BOLLARD - THINK BULLARD**

sales@gordonbullard.com  
www.bullardbollards.com  
1-877-964-4646



991 South Gull Lake Dr  
Richland, MI 49083  
USA