



**BULLARD
BOLLARDS**
Think Bollard Think Bullard

INSTALLATION INSTRUCTION

SEGNO P

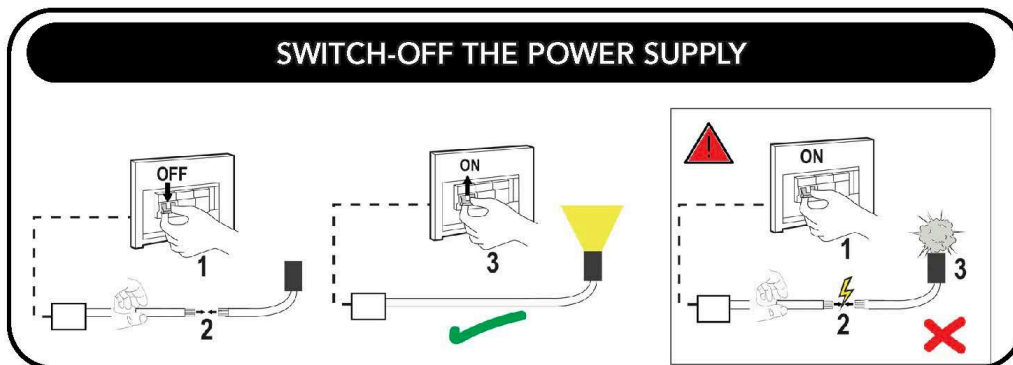
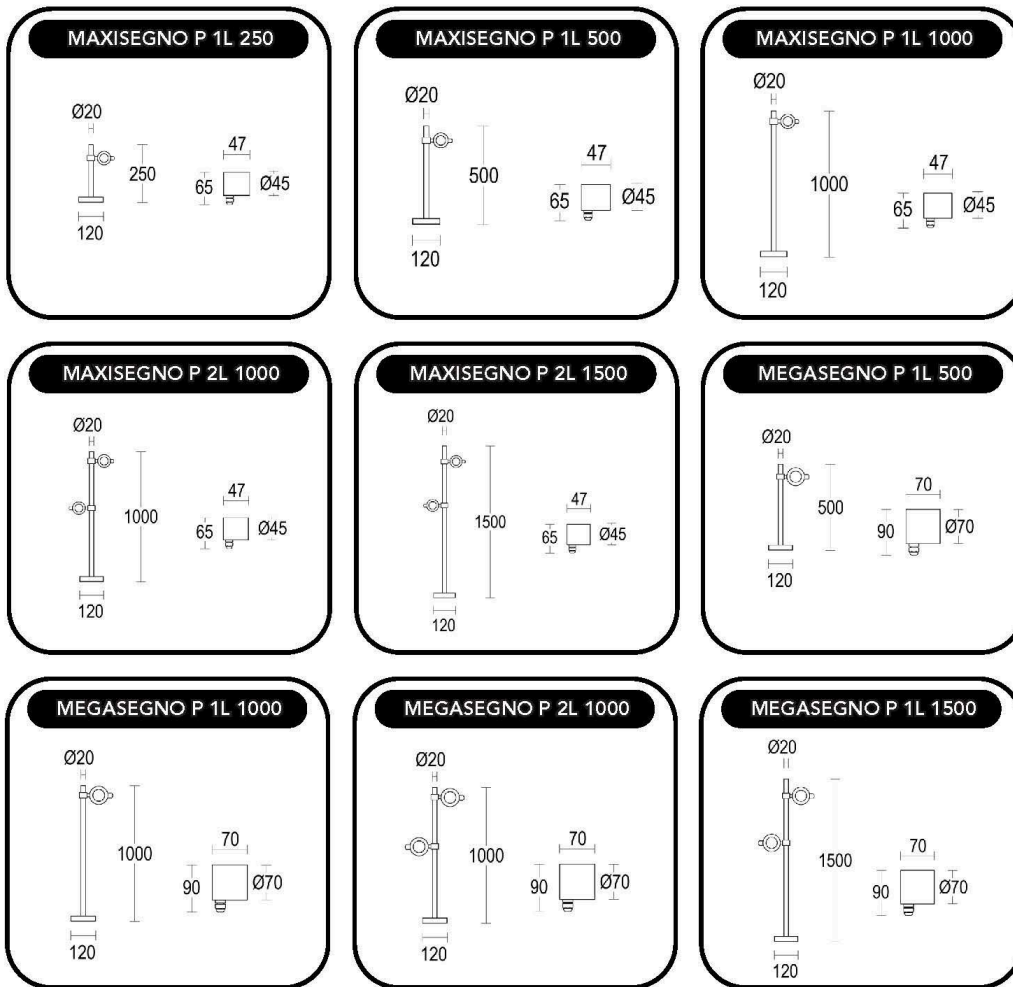
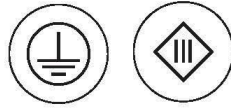
INSTALLATION TYPE:
PENDANT

LED

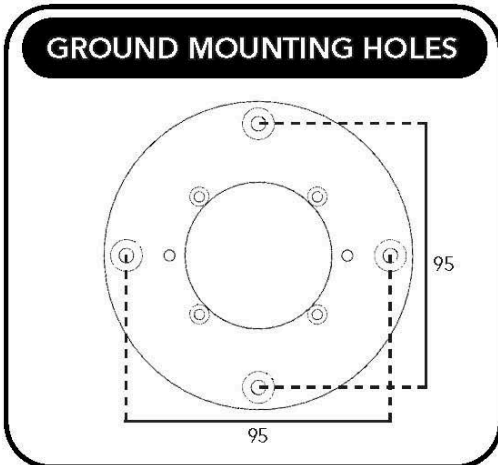
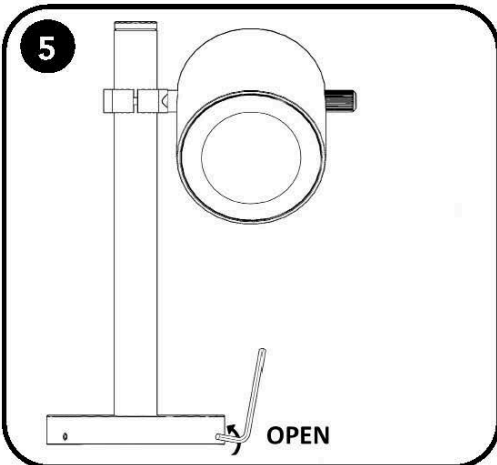
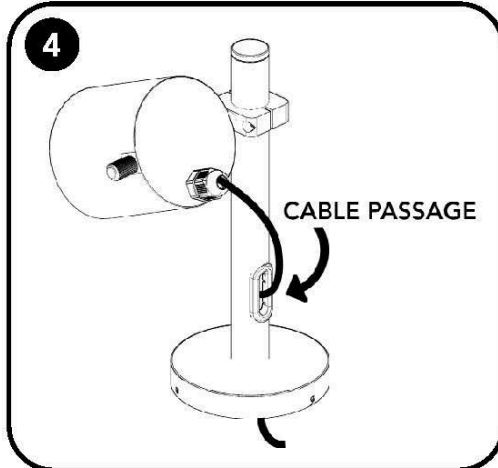
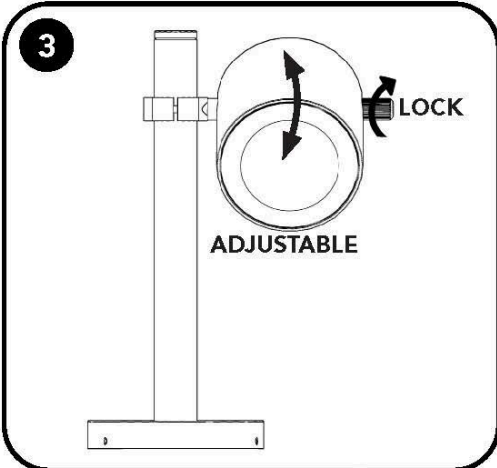
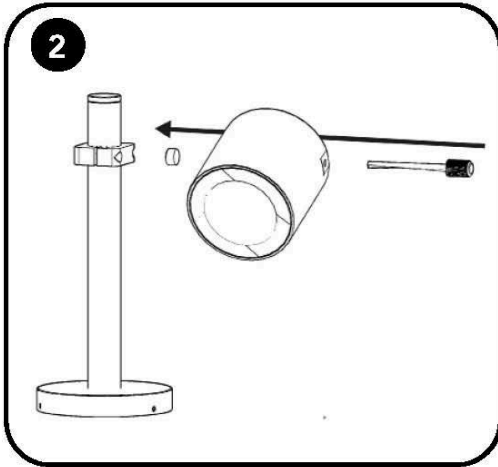
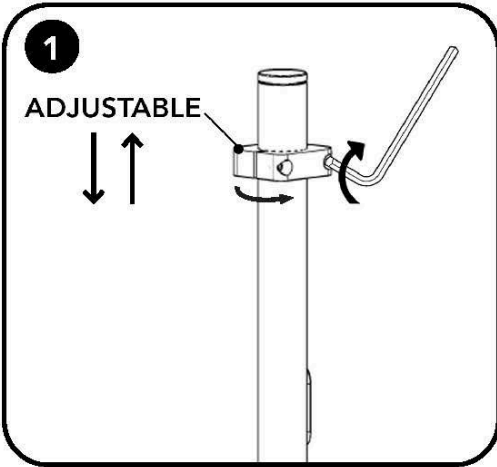
IP67

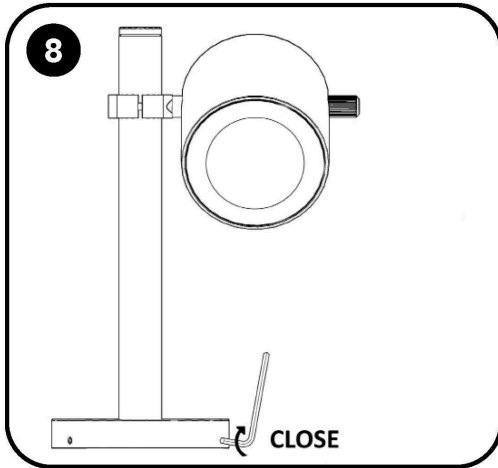
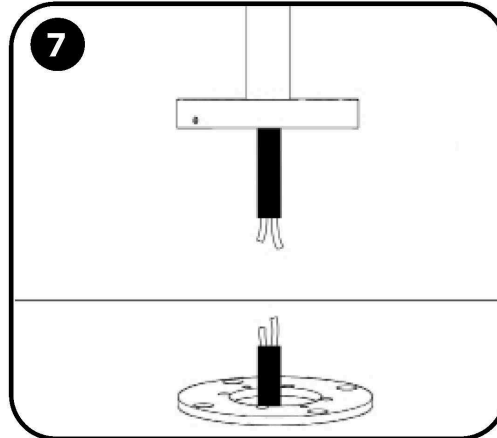
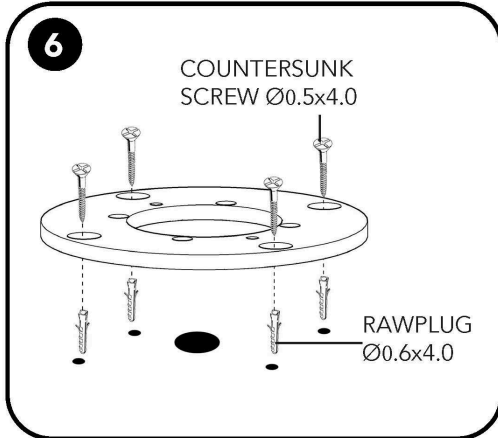


02/23/2026

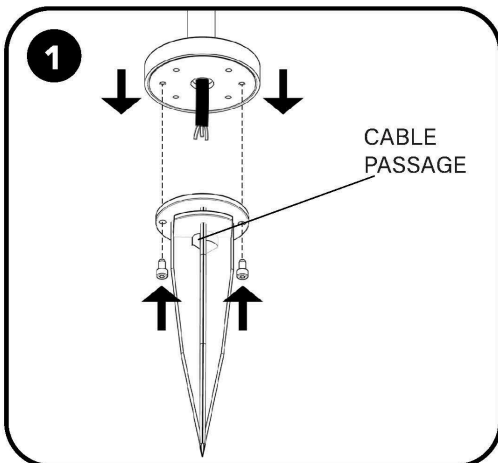


STANDARD VERSION

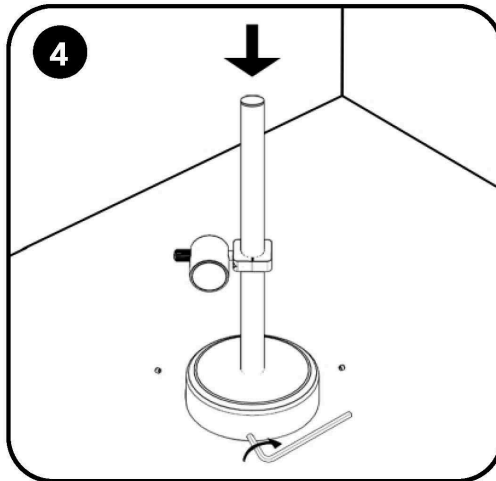
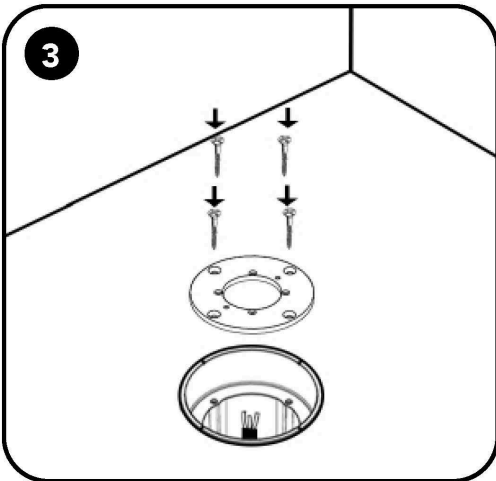
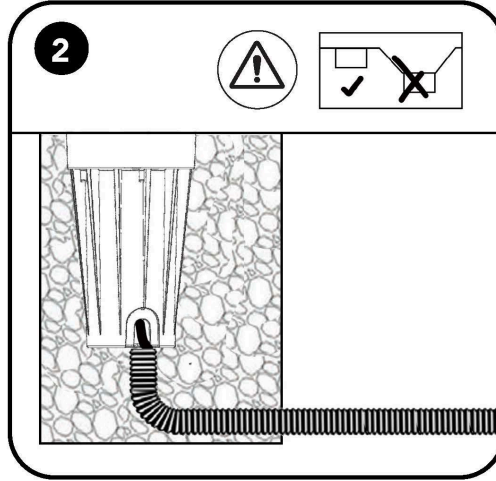
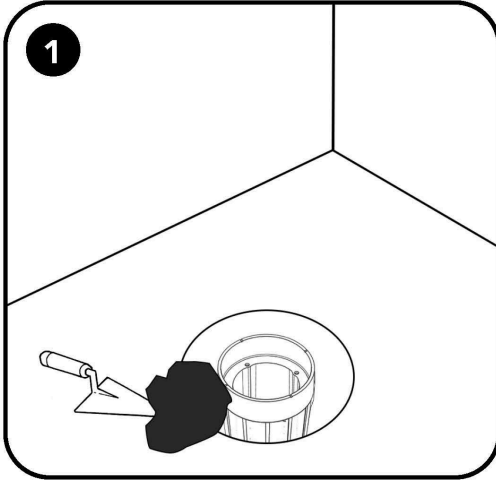




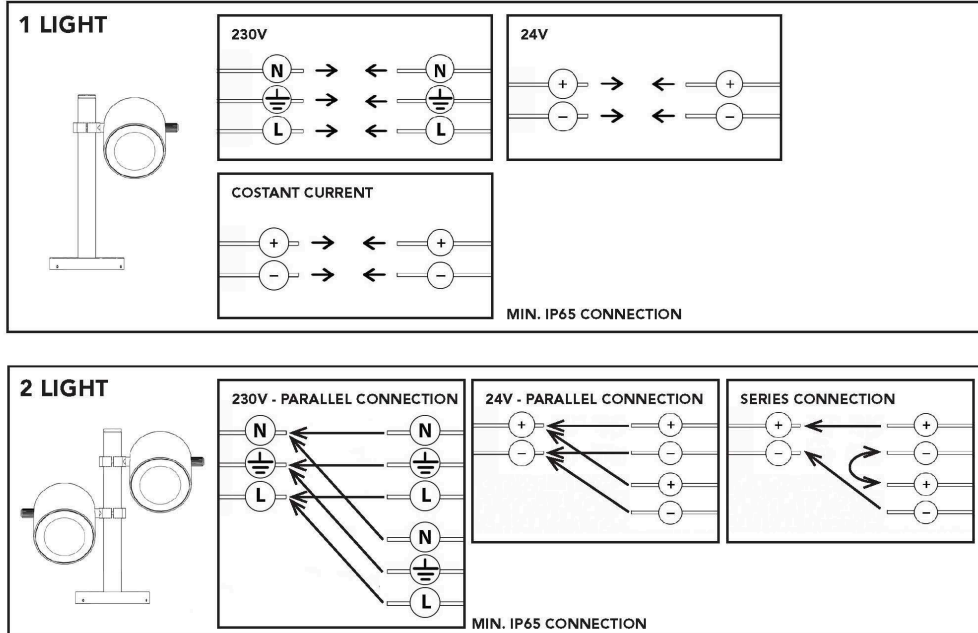
STAKE VERSION



FORMWORK VERSION



CONNECTION



(EN) WARNING:

- The safety of this fixture is guaranteed only if you comply with these instructions; remember to keep in a safe place.
- The appliance must not be tampered with or transformed and it must be installed and used as supplied and in compliance with the national rules on installations.
- Switch-off the power supply before carrying out any maintenance operations. hot plug-in is not allowed and may cause damage to the luminaire.
- The light source contained in this luminaire shall be replaced only by the manufacturer or his service agent.
- Installation and service must be performed by qualified service personnel.
- Use the unit only complete with diffuser.
- Any non-compliant installations will invalidate all forms of guarantee.

IMPORTANT

- To ensure equipment safety you must carefully follow the instructions below. This leaflet must be kept handy by personnel entrusted with all ordinary and extraordinary maintenance.
- Before any installation or maintenance operation on the bulb, make sure it is disconnected from power.
- Fit the correct bulbs, according to the type and power indicated on the lamp data label.
- Make sure the lamp technical features are compatible with the use you are going to make of it.
- Should you have any doubt, refer to the dealer or ask an electrician.
- When connecting to the mains, follow the correct colour code for power cables: (N) blue, (L) brown or black and, only for class I equipment, (T) yellow/green.
- When lamps are to be fitted to the wall directly through their ceramic parts, fasten the fixing screws lightly, to avoid breaking the ceramic.
- To clean the lamp on the outside, use a soft cloth, possibly wet. Do not use solvents or abrasive products. No liquid must get in contact with the lamp interior parts.
- Do not touch the equipment with dirty hands.



= Class I equipment, must be connected to an earth terminal.



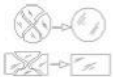
= Double insulated lamp, does not need earthing.



= Electrical equipment in class III, electrical safety guaranteed by low voltage tension, does not require grounding



= Minimum distance to be observed from all lit up objects.



= Replace immediately the safety glass, if damaged, with the original part.



= The lamp uses low pressure bulbs, and needs no protection glass.