



**BULLARD
BOLLARDS**
Think Bollard Think Bullard

MICROBUNNY GLOW 2L 75 (INGROUND LUMINAIRES)



FIXTURE TYPE: _____

PROJECT NAME: _____

NOTES:



GENERAL INFORMATION:

The MICROBUNNY GLOW 2L 75 by Bullard Bollards is a compact recessed LED luminaire designed for subtle grazing and pathway lighting in outdoor environments. Built from corrosion-resistant aluminum with tempered glass and advanced sealing technology, it ensures durability and reliable performance in all weather conditions. Its discreet, drive-over-capable design makes it ideal for integrating elegant, low-level illumination into landscapes and architectural settings.

FIXTURE TYPE:

Inground Luminaires

LIGHTING:

LED

INPUT VOLTAGE:

110-277V

MATERIAL:

Die-cast aluminum EN AB 44100 highly resistant to oxidation

GASKETS:

Silicone gaskets

EXTERNAL SCREWS:

Stainless steel A4-70 treated with highly antioxidant water-repellent lubricating solution

FINISH AND PROTECTION:

Primary treatment with nanoceramic conversion. Secondary treatment by application of protective epoxy primer. Protective finish with textured polyester powder coating, resistant to weathering and UV rays

ROUGH IN HOUSING:

Polypropylene to be ordered separately

DRAINAGE:

30cm of gravel or draining material.
Alternatively, draining piping system.

STATIC LOAD:

5511.6 lb - Drive-over max 10km/h

CRI:

>80

THINK BOLLARD - THINK BULLARD

sales@gordonbullard.com
www.bullardbollards.com
1-877-964-4646



991 South Gull Lake Dr
Richland, MI 49083
USA



**BULLARD
BOLLARDS**
Think Bullard Think Bullard

**CODE:
BB-5958.00BAXT-GH**

FIXTURE TYPE: _____

PROJECT NAME: _____

NOTES:



DRIVER POSITION:

Integral

IP RATING:

IP67

APPLINCE CLASS:

I

CUTOUT SHAPE:

Round

CABLE ENTRY:

Nylon cable gland M16 Ø 0.5/1cm

CABLE TYPE:

H05RN-F 3x0.01 cm²

WATER-LOCK SYSTEM:

Cable gland with anti-moisture suction system, preventing the capillary rise of water or condensation along the cable and ensuring maximum protection of the luminaire body and electrical components.

CORD LENGTH:

100 cm

LIGHT DISTRIBUTION:

90° Other

BEAM DIRECTIONABILITY:

Fixed optics

DIFFUSER MATERIAL/FINISH/TEMPERATURE:

Tempered glass 0.3cm /Transparent - extra clear/ < 313.15 K (< 40 °C)

WARRANTY:

LED lighting products are warranted for 5 years.

MAIN FEATURES:

- Wide range of finishes
- Evocative / Functional design
- Resistant to vandalism
- Operating Temperature: 253.15 K ÷ 308.15 K (-20 °C ÷ +35 °C)
- Increased temperature to 323.15 K (50°C)
- * upon request previous specific components and test



THINK BOLLARD - THINK BULLARD

sales@gordonbullard.com
www.bullardbollards.com
1-877-964-4646

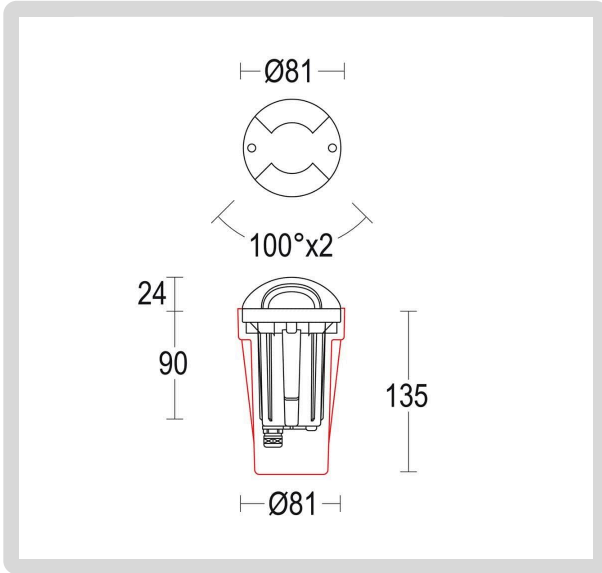


991 South Gull Lake Dr
Richland, MI 49083
USA



FIXTURE TYPE: _____

PROJECT NAME: _____



HOW TO ORDER:

CODE:

Example:
CODE: BB-5958.00BAXT-GH-K30-24V-DIM-01-AC010-AC204

BB-5958.00BAXT-GH
-K30-24V-DIM
-01-AC010-AC204

1 DIMENSIONS:

Diameter - Ø: 3.19" (8.1 cm)
Recessed hole diameter - Ø: 3.19" (8.1 cm)
Recessed depth - h: 5.31" (13.5 cm)

2 BEAM ANGLE:

90°

3 LIGHT SOURCE:

LED / 1 x 1 W

4 CCT&LUMENS:

-K30 3000K = 120 lm
-K40 4000K = 130 lm

5 CONTROL GEAR / OPERATION RANGE:

-24V 24 V DC
-1V 110-277 V - 60 Hz

6 DIMMING OPTIONS:

-NON NON-Dimmable
-DIM 0-10V
-CAS Casambi
-LT Lutron
-DAL Dali

7 FINISH OPTIONS:

-01 White matt	-45 Corten matt
-02 Black matt	-62 Antique grey matt
-05 Anthracite grey matt	-65 Blue matt
-19 Light grey matt	-80 Sand matt
-26 Bronze	-83 Green matt



THINK BOLLARD - THINK BULLARD

sales@gordonbullard.com
www.bullardbollards.com
1-877-964-4646



991 South Gull Lake Dr
Richland, MI 49083
USA



FIXTURE TYPE: _____

PROJECT NAME: _____

HOW TO ORDER:

CODE:

Example:
CODE: BB-5958.00BAXT-GH-K30-24V-DIM
-01-AC010-AC204

BB-5958.00BAXT-GH
-K30-24V-DIM
-01-AC010-AC204

8 ACCESSORIES:

-AC010

SPD 10kV IP66 C I - Serie



-AC013

Rough-in housing 81x135



-AC204

IP 68 fast connector 4P



9 PHOTOMETRY:



90° / 3000K

H(m)	φ (m)	lux med. lux max.	
		3000 K	3000 K
5	0.5	0	1
4	0.4	1	1
3	0.3	1	2
2	0.2	3	5
1	0.1	12	21



90° / 4000K

H(m)	φ (m)	lux med. lux max.	
		4000 K	4000 K
5	0.5	1	1
4	0.4	1	1
3	0.3	1	3
2	0.2	3	6
1	0.1	13	23

THINK BOLLARD - THINK BULLARD

sales@gordonbullard.com

www.bullardbollards.com

1-877-964-4646



991 South Gull Lake Dr

Richland, MI 49083

USA