



**BULLARD
BOLLARDS**
Think Bollard Think Bullard

BANANA LEAF PENDANT





FIXTURE TYPE: _____

PROJECT NAME: _____

NOTES:



GENERAL INFORMATION:

Banana Leaf is a large-scale hanging lamp with a bold yet understated presence. Its stylised form recalls the generous shape of banana leaves, evoking shade, calm, and a sense of escape. It emits a soft, even light that enhances the veined surface, creating strong scenic impact in outdoor settings. Used as a standalone statement or in modular compositions, Banana Leaf also comes in a wall-mounted version and as a coloured, non-illuminated decorative element.

FIXTURE TYPE:

Pendant

VOLTAGE:

110-277V



MATERIAL:

Polyethylene, Satin brass

LIGHTING:

LED



IP RATING:

IP 54



APPLIANCE CLASS:

III

MATT LACQUERED (METAL CEILING CAP):

Absolute White

MAIN FEATURES:

- High visual comfort
- Available in a wide range of finishes
- Functional and minimalistic design
- Shock-resistant construction

THINK BOLLARD - THINK BULLARD

sales@gordonbullard.com
www.bullardbollards.com
1-877-964-4646



991 South Gull Lake Dr
Richland, MI 49083
USA



FIXTURE TYPE: _____

PROJECT NAME: _____

HOW TO ORDER:

CODE:

Example:
CODE: BB-LP-BNN-SD-K30-LW-DIM

**BB-LP-BNN-
SD-K30-LW-
DIM**

1 DIMENSIONS:

A) Length - L: 72" (183 cm)
B) Height - H: 13.38" (34 cm)
C) Width - W: 20.87" (53 cm)

2 LIGHT SOURCE:

LED / 29W

3 CCT:

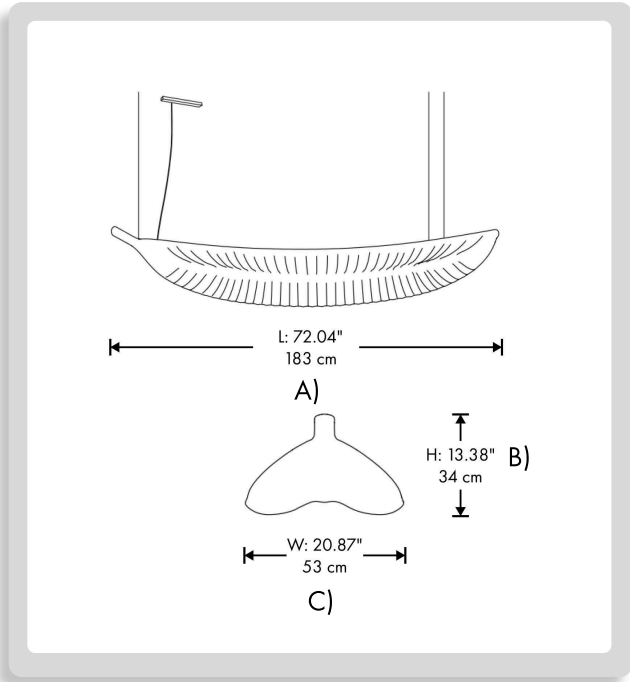
-K30 3000K
-K40 4000K

4 LIGHTING COLOURS:

-LW Light White
-LV Light Vanilla

5 DIMMING OPTIONS:

-DIM 0-10V
-NON Non Dimmable
-CAS Casambi
-LUT Lutron



THINK BOLLARD - THINK BULLARD

sales@gordonbullard.com
www.bullardbollards.com
1-877-964-4646



991 South Gull Lake Dr
Richland, MI 49083
USA