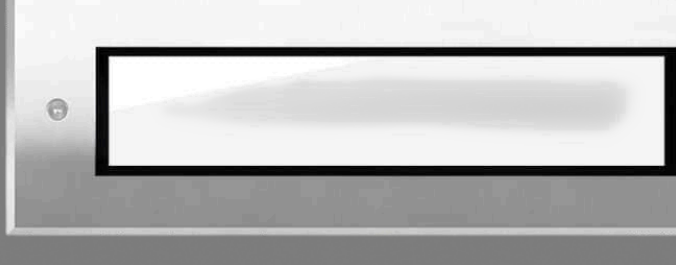




BULLARD BOLLARDS
Think Bullard Think Bullard

BUNNY BOUNCE



INSTALLATION TYPE:
RECESSED

GROUND-FLAT-260X84

GROUND-FLAT-350X175X195

GROUND-FLAT-350X175X275



INSTALLATION INSTRUCTION

02/11/2026

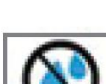


BULLARD BOLLARDS
Think Bullard Think Bullard

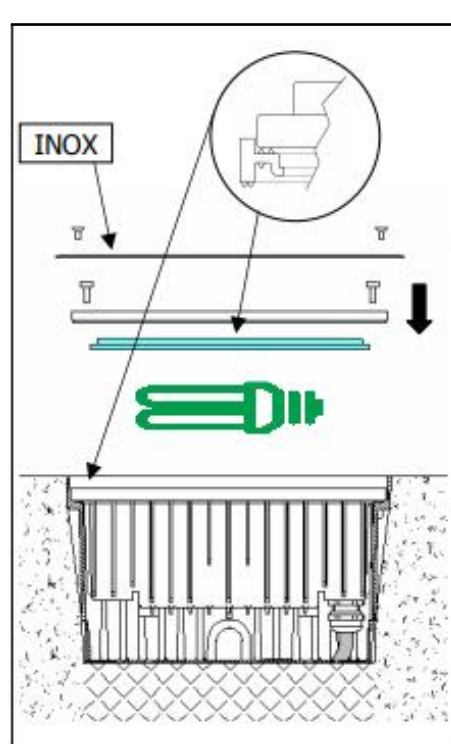
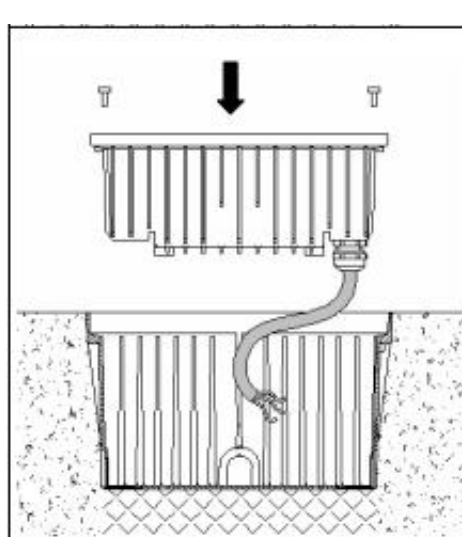
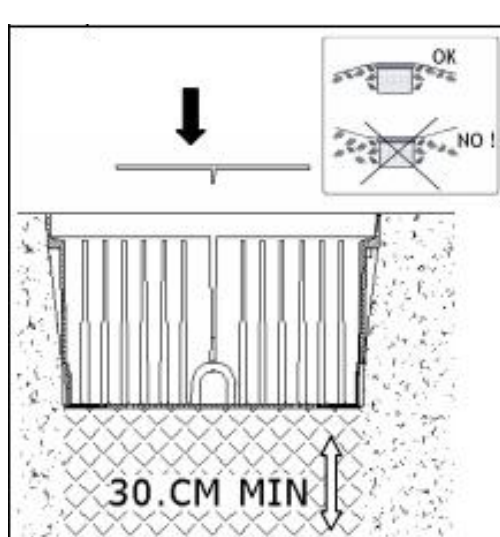
BUNNY BOUNCE

02/11/2026

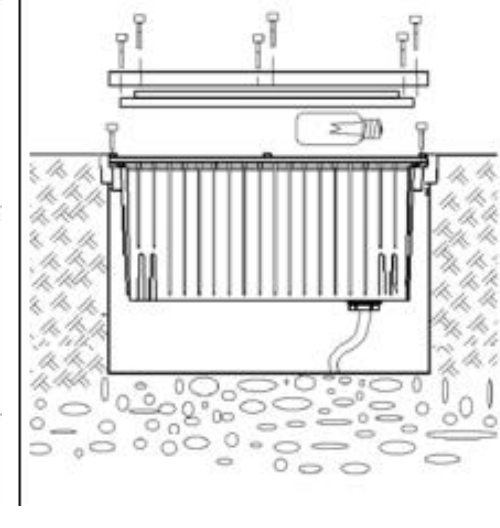
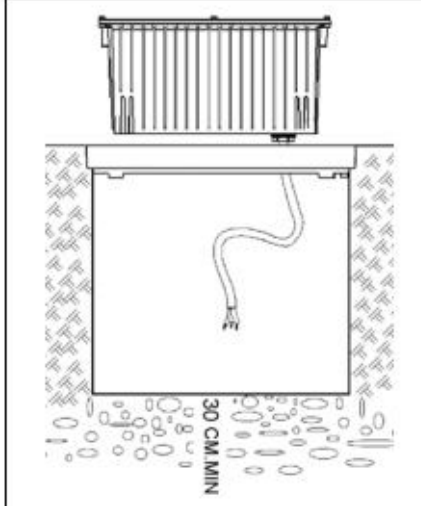
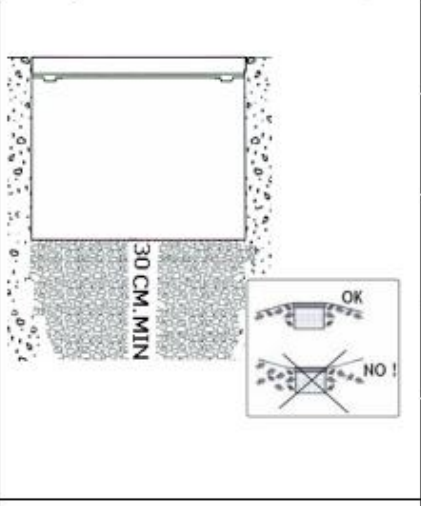
IP68



FOR MODEL 84 RT



FOR MODEL 175 RT



P.2

sales@gordonbullard.com
www.bullardbollards.com
1 877-964-4646



991 South Gull Lake Dr.
Richland, MI 49083
USA

Due to the dynamic nature of lighting products and the associated technologies, luminaire data on all specification sheets is subject to change at the discretion of Gordon Bullard LLC and associated companies.

© Bullard & Comany 2024 All Rights Reserved

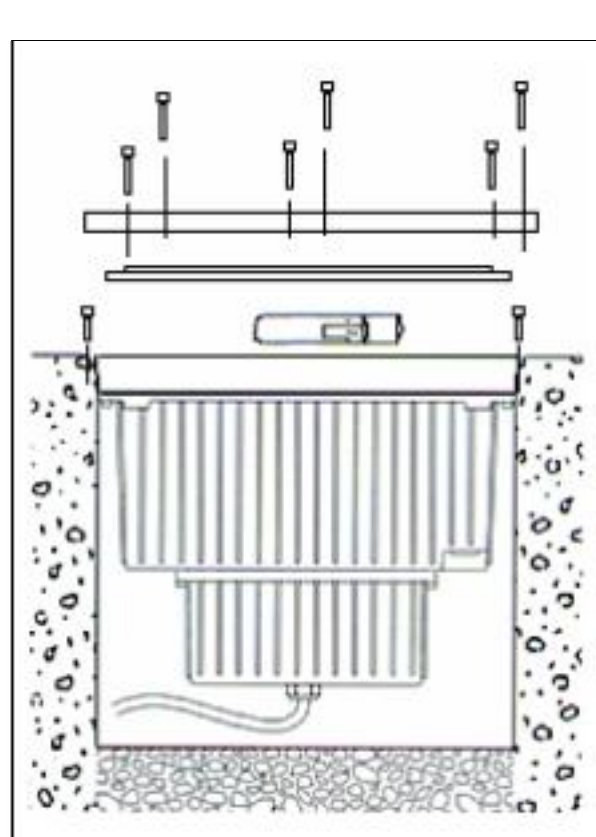
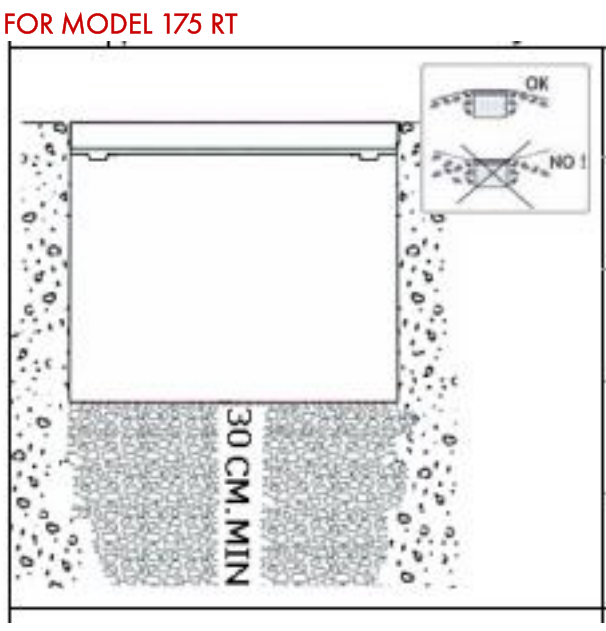


BULLARD BOLLARDS
Think Bullard Think Bullard

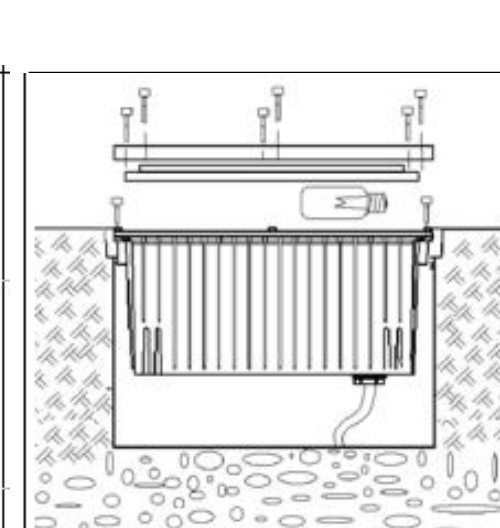
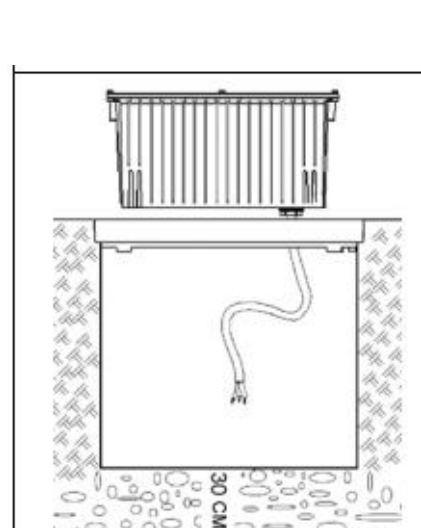
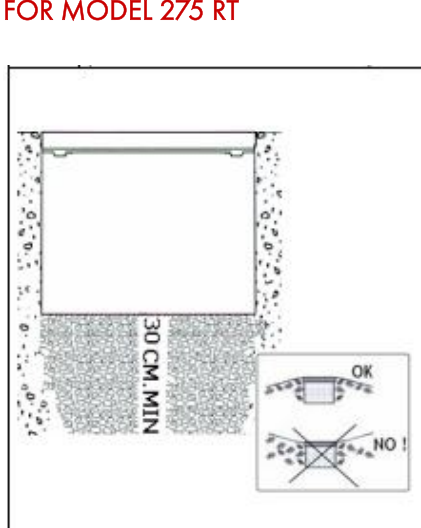
BUNNY BOUNCE

02/11/2026

FOR MODEL 175 RT



FOR MODEL 275 RT



P.3

sales@gordonbullard.com
www.bullardbollards.com
1 877-964-4646



991 South Gull Lake Dr.
Richland, MI 49083
USA

Due to the dynamic nature of lighting products and the associated technologies, luminaire data on all specification sheets is subject to change at the discretion of Gordon Bullard LLC and associated companies.

© Bullard & Comany 2024 All Rights Reserved

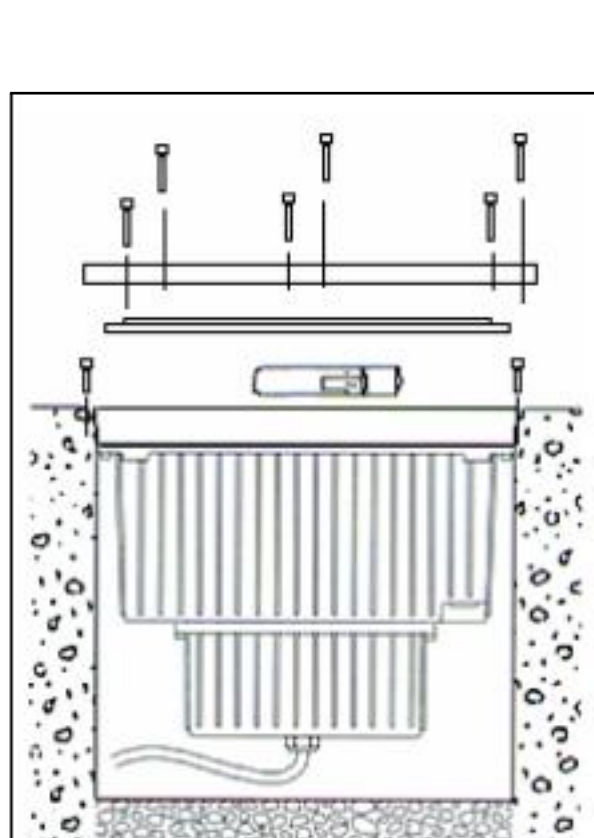
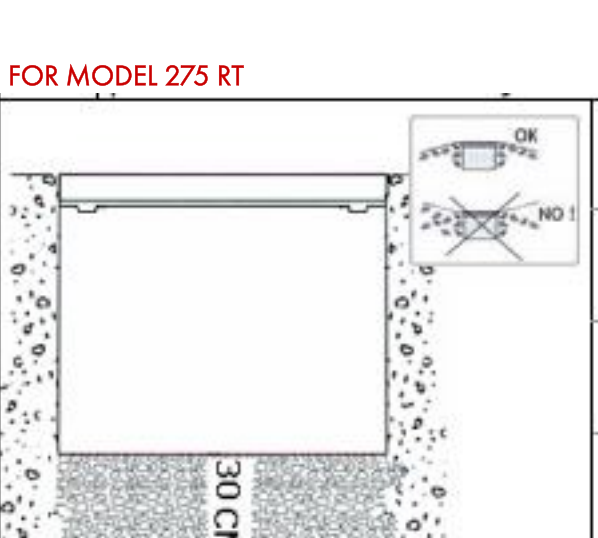


BULLARD BOLLARDS
Think Bullard Think Bullard

BUNNY BOUNCE

02/11/2026

FOR MODEL 275 RT



THE SAFETY OF THIS FIXTURE IS GUARANTEED ONLY IF YOU COMPLY WITH THESE INSTRUCTIONS; REMEMBER TO KEEP IN A SAFE PLACE. THE APPLIANCE MUST NOT BE TAMPERED WITH OR TRANSFORMED AND IT MUST BE INSTALLED AND USED AS SUPPLIED AND IN COMPLIANCE WITH THE NATIONAL RULES ON INSTALLATIONS. SWITCH-OFF THE POWER SUPPLY BEFORE CARRYING OUT ANY MAINTENANCE OPERATIONS. HOT PLUG-IN IS NOT ALLOWED AND MAY CAUSE DAMAGE TO THE LUMINAIRE. THE LIGHT SOURCE CONTAINED IN THIS LUMINAIRE SHALL BE REPLACED ONLY BY THE MANUFACTURER OR HIS SERVICE AGENT. INSTALLATION AND SERVICE MUST BE PERFORMED BY QUALIFIED SERVICE PERSONNEL. ANY NON-COMPLIANT INSTALLATIONS WILL INVALIDATE ALL FORMS OF GUARANTEE.

P.4

sales@gordonbullard.com
www.bullardbollards.com
1 877-964-4646



991 South Gull Lake Dr.
Richland, MI 49083
USA

Due to the dynamic nature of lighting products and the associated technologies, luminaire data on all specification sheets is subject to change at the discretion of Gordon Bullard LLC and associated companies.

© Bullard & Comany 2024 All Rights Reserved