



**BULLARD  
BOLLARDS**  
Think Bollard Think Bullard

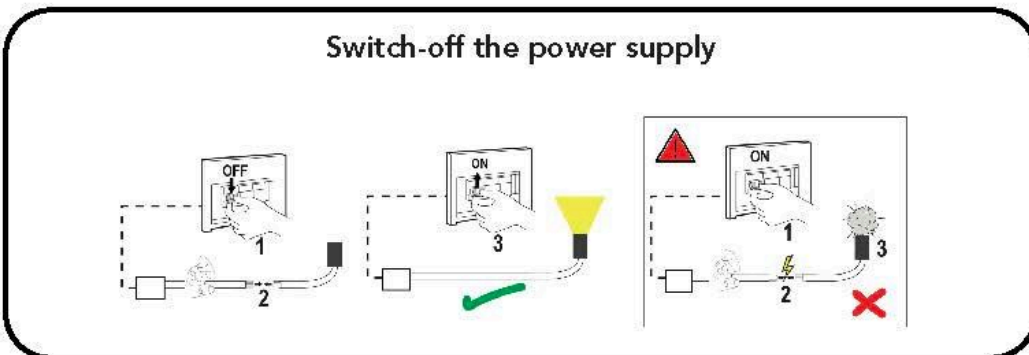
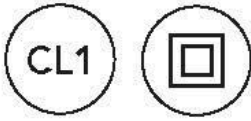
# INSTALLATION INSTRUCTION

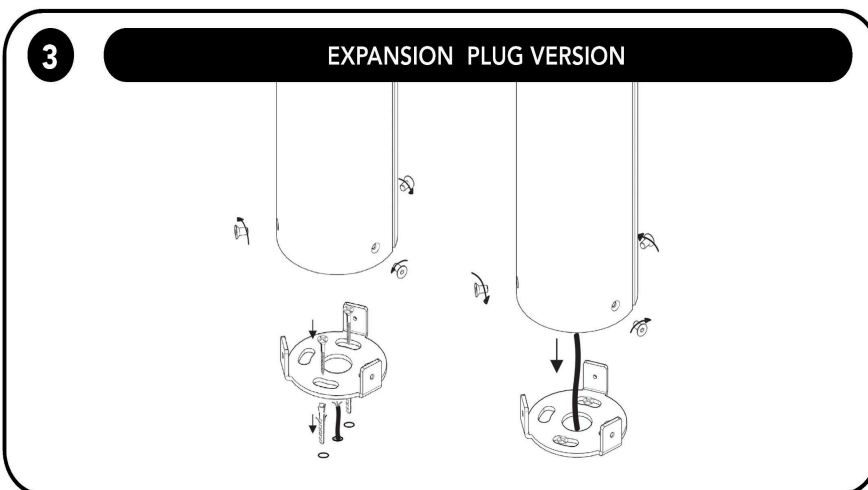
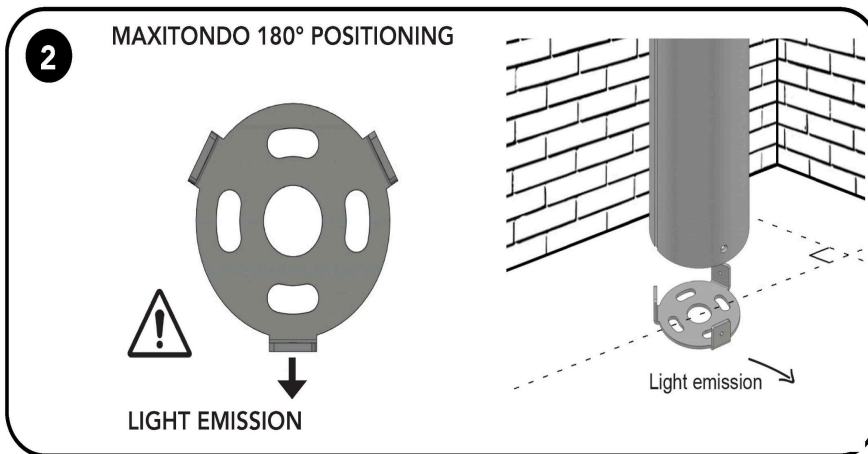
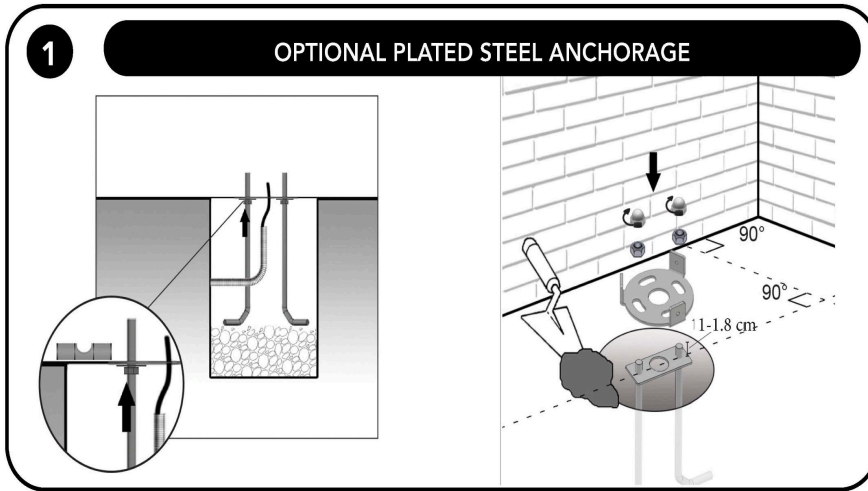
# CONO DARK

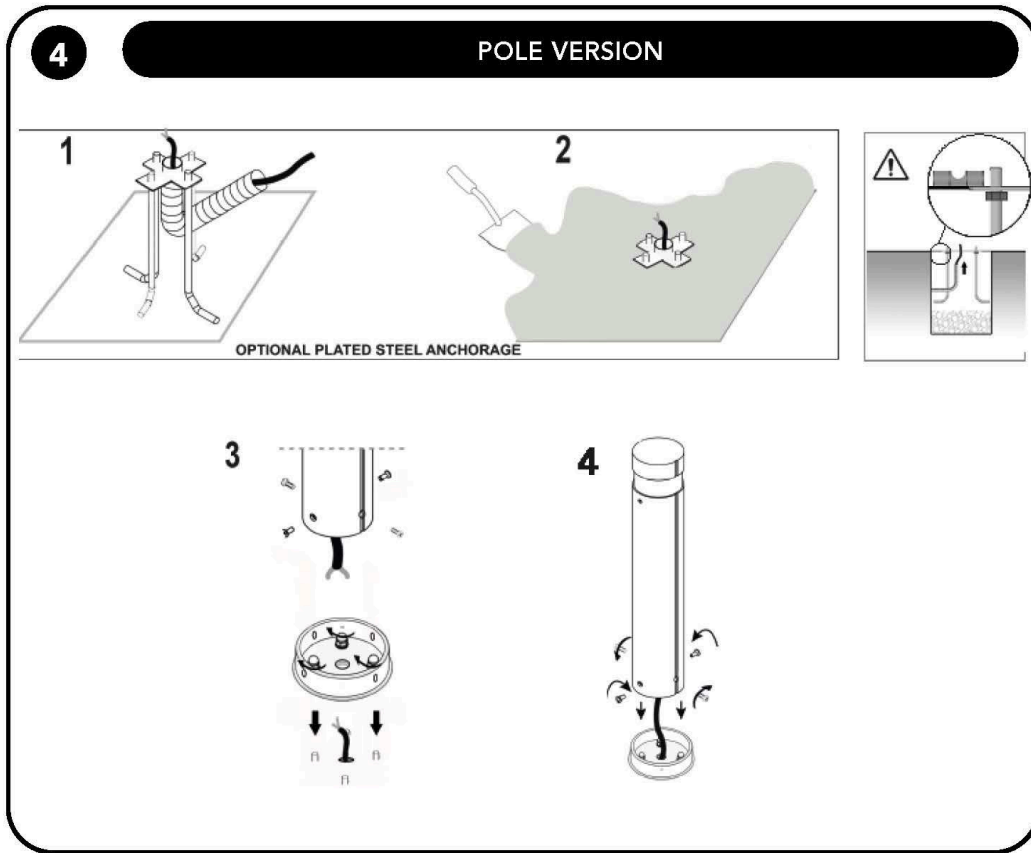
INSTALLATION TYPE:  
STANDARD GRADE

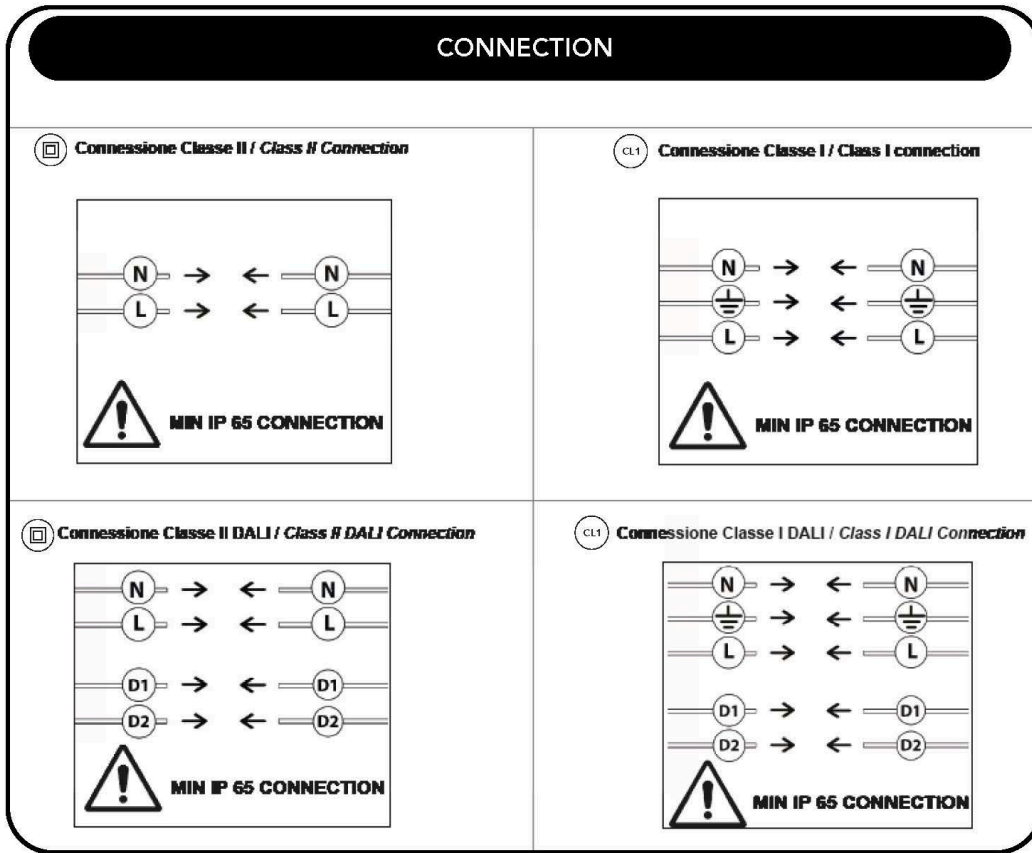


01/18/2026









**(EN) WARNING:**

- The safety of the appliance is only guaranteed if the following instructions are used appropriately; they must therefore be retained.
- Any tampering with and/or conversion of the appliance is prohibited. It must be installed and used as supplied and in accordance with national plant regulations.
- Disconnect the power supply before installing the product or carrying out any maintenance work.
- No modifications may be carried out as this could damage the appliance.
- Installation and maintenance must be carried out by qualified and authorised personnel.
- The light source in the luminaire must be replaced by the manufacturer or an authorised service centre.
- Only use the luminaire complete with diffuser.
- Non-compliant installation will invalidate any warranty.

**IMPORTANT**

- To ensure equipment safety you must carefully follow the instructions below. This leaflet must be kept handy by personnel entrusted with all ordinary and extraordinary maintenance.
- Before any installation or maintenance operation on the bulb, make sure it is disconnected from power.
- Fit the correct bulbs, according to the type and power indicated on the lamp data label.
- Make sure the lamp technical features are compatible with the use you are going to make of it.
- Should you have any doubt, refer to the dealer or ask an electrician.
- When connecting to the mains, follow the correct colour code for power cables: (N) blue, (L) brown or black and, only for class I equipment, (T) yellow/green.
- When lamps are to be fitted to the wall directly through their ceramic parts, fasten the fixing screws lightly, to avoid breaking the ceramic.
- To clean the lamp on the outside, use a soft cloth, possibly wet. Do not use solvents or abrasive products. No liquid must get in contact with the lamp interior parts.
- Do not touch the equipment with dirty hands.



= Class I equipment, must be connected to an earth terminal.



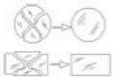
= Double insulated lamp, does not need earthing.



= Electrical equipment in class III, electrical safety guaranteed by low voltage tension, does not require grounding



= Minimum distance to be observed from all lit up objects.



= Replace immediately the safety glass, if damaged, with the original part.



= The lamp uses low pressure bulbs, and needs no protection glass.