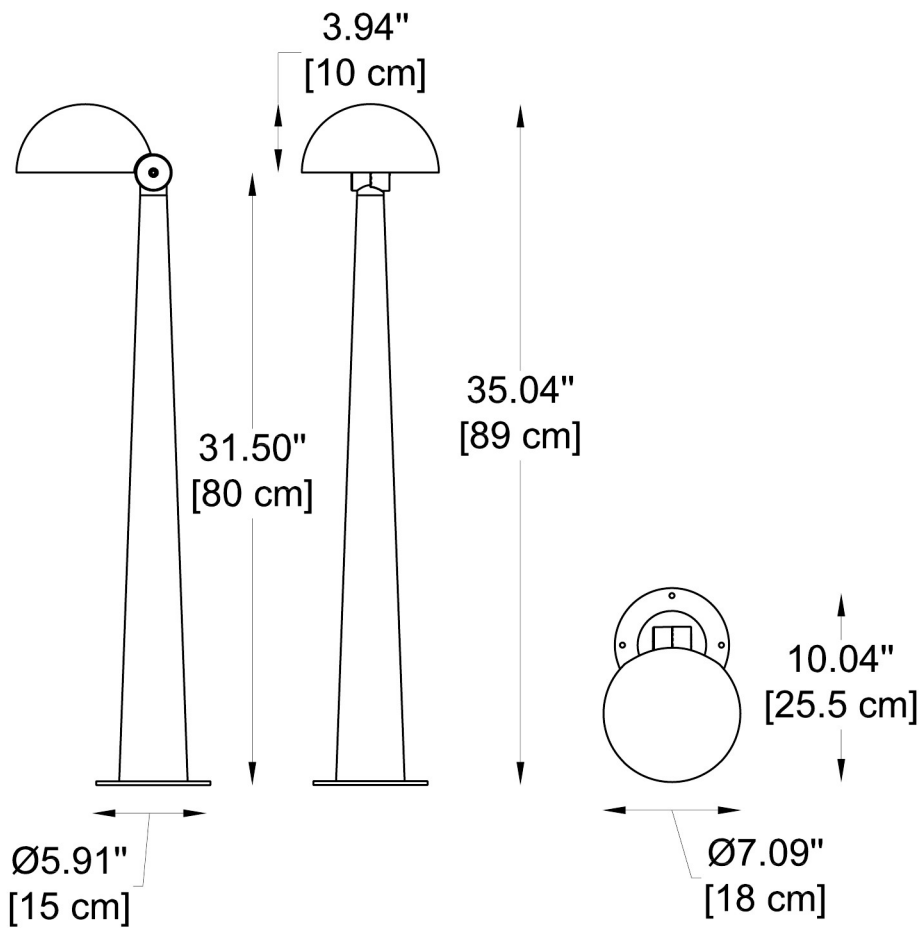
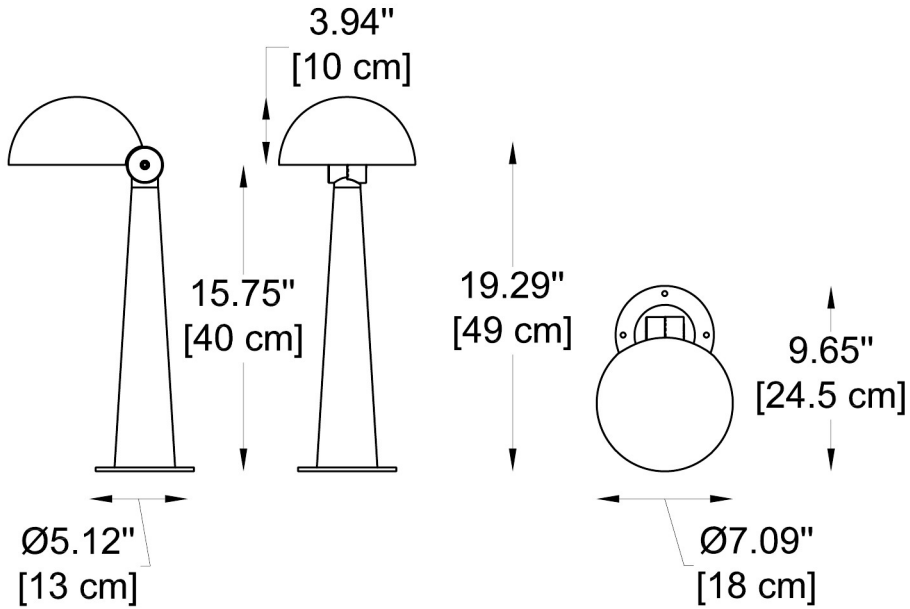


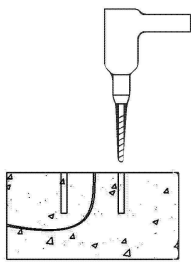


THE WASAT

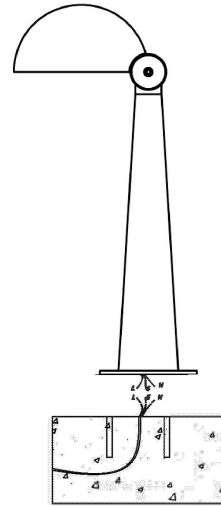
Dimensions



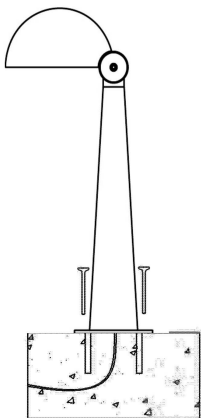
Installation Instructions



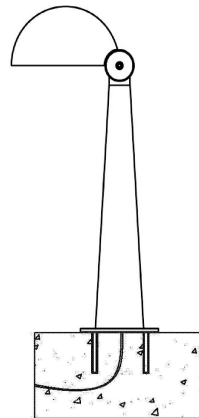
1. Drill holes for expansion screws in the required places
 2. Install the expansion screw sleeve into the hole



3. Link power main line.

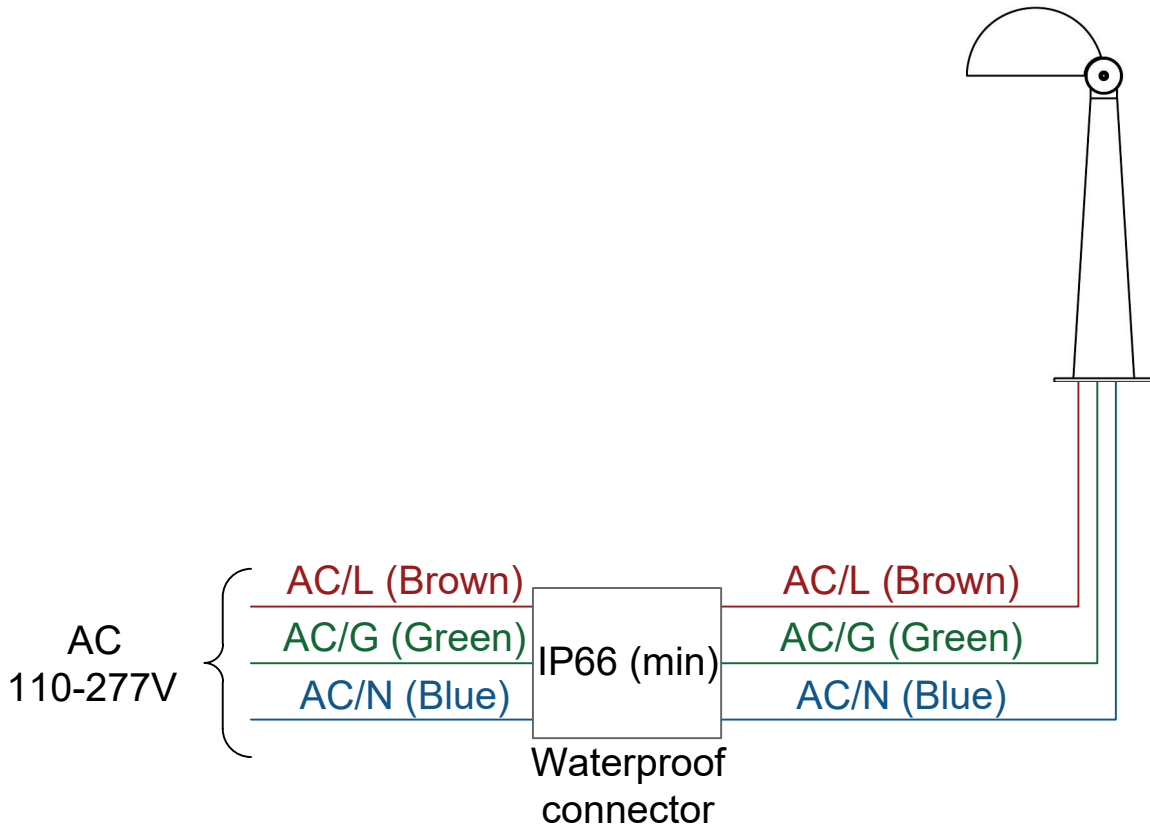


4. Place the lamp in the mounting location and screw it in place using expansion screws.



5. Try to light lamps.

Wiring diagram



WARNING:

- The safety of this fixture is guaranteed only if you comply with these instructions.
- The appliance must not be tampered with or transformed and it must be installed and used as supplied and in compliance with the national rules on installations.
- Switch-off the power supply before carrying out any maintenance operations. hot plug-in is not allow and may cause damage to the luminaire.
- Installation and service must be performed by qualified service personnel.
- Any non-compliant installations will invalidate all forms of guarantee.