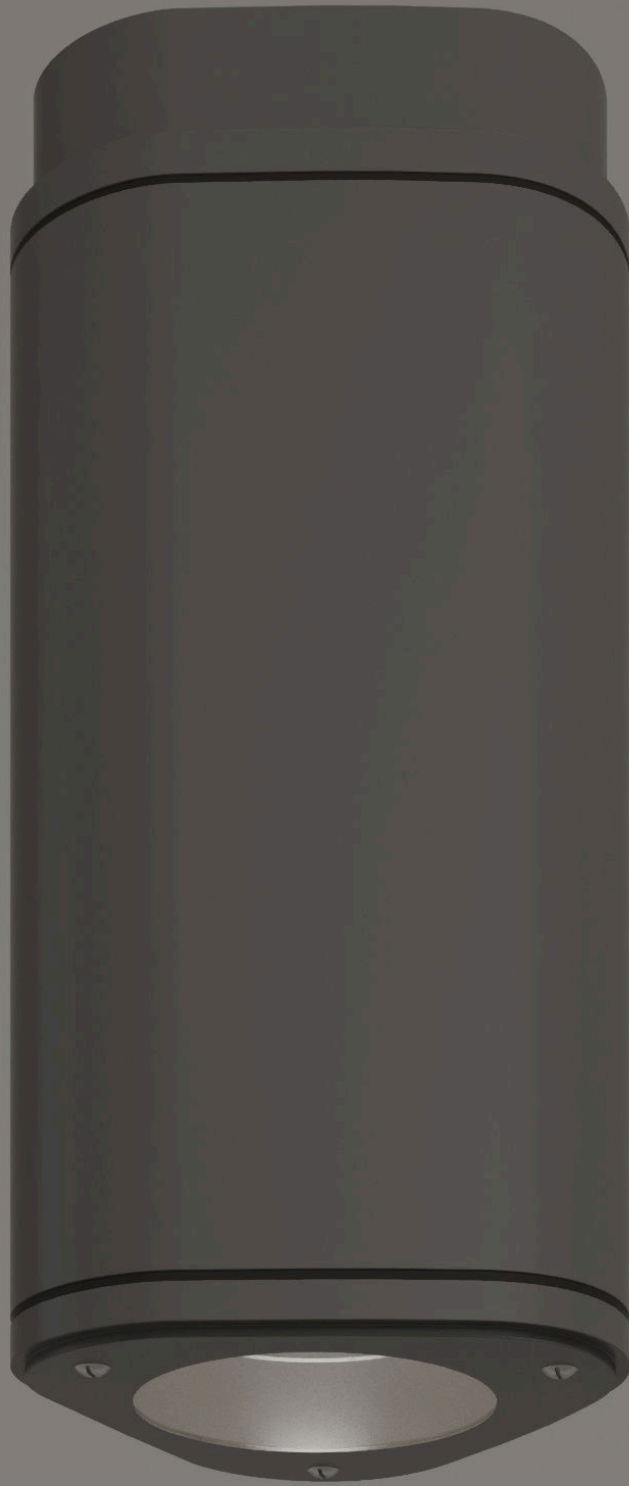




**BULLARD  
BOLLARDS**  
Think Bollard Think Bullard

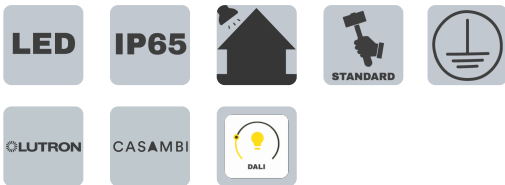
**ATIA**  
CEILING SURFACE-MOUNTED





FIXTURE TYPE: \_\_\_\_\_

PROJECT NAME: \_\_\_\_\_



**GENERAL INFORMATION:**

The Atia is a sophisticated outdoor ceiling light from Bullard Bollards, designed to provide efficient and elegant illumination for exterior spaces. Crafted with high-quality materials, this fixture ensures durability and resistance to environmental elements, making it ideal for various outdoor applications. Its sleek design allows seamless integration into modern architectural settings, enhancing the ambiance of patios, terraces, and entrance areas. Please refer to the official Bullard Bollards website for detailed specifications and installation guidelines.

**FIXTURE TYPE:**

Ceiling surface-mounted

**VOLTAGE:**

110-277V

**MATERIAL:**

Aluminum

**IP RATING:**

IP 65

**IP65**

**WARRANTY:**

LED lighting products are warranted for 5 years.

**DRIVER POSITION:**

Remote

**MAIN FEATURES:**

High visual comfort  
Available in a wide range of finishes  
Functional and minimalistic design  
Shock-resistant construction

**LIGHTING DISTRIBUTION:**

20°/40°/60°/ Diffused

**CRI:**

90

**THINK BOLLARD - THINK BULLARD**

sales@gordonbullard.com  
www.bullardbollards.com  
1-877-964-4646

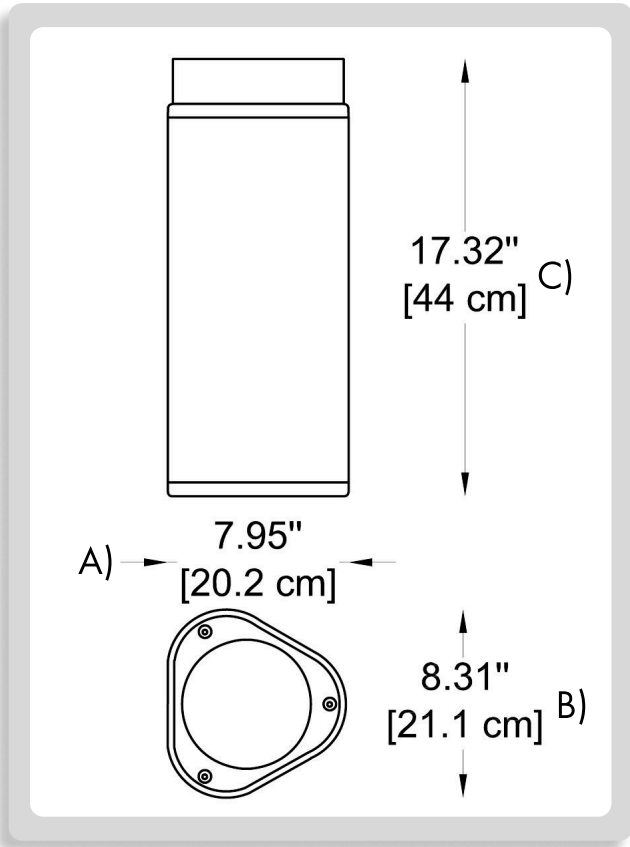


991 South Gull Lake Dr  
Richland, MI 49083  
USA



FIXTURE TYPE: \_\_\_\_\_

PROJECT NAME: \_\_\_\_\_



**HOW TO ORDER:**

**CODE:**

Example: CODE: BB-AT-CL-L26-K30-O3-DIM-WH	BB-AT-CL-L26- K30-O3-DIM- WH
--	------------------------------------

**1 DIMENSIONS:**

- A) Length - L: 7.95" (20.2 cm)
- B) Width - W: 8.31" (21.1 cm)
- C) Height - H: 17.32" (44 cm)

**2 LIGHT SOURCE:**

- L26 LED / 26W / 700 mA / 110-277V
- L39 LED / 39W / 900 mA / 110-277V

**3 CCT:**

- K30 3000K
- K40 4000K

**4 OPTICAL:**

- O3 28°
- O7 71°

**5 DIMMING OPTIONS:**

- NON NON-Dimmable
- DIM 0-10V
- CAS Casambi
- LUT Lutron
- DAL Dali

**6 FINISH OPTIONS:**

- WH White (matt)
- DG Dark Grey (matt)
- BL Light Grey
- CR Corten
- SD Sand

**7 LUMENS:**

26W model (3000K) = 2967 lm  
26W model (4000K) = 3012 lm

39W model (3000K) = 4271 lm  
39W model (4000K) = 4336 lm

**THINK BOLLARD - THINK BULLARD**

sales@gordonbullard.com  
www.bullardbollards.com  
1-877-964-4646



991 South Gull Lake Dr  
Richland, MI 49083  
USA