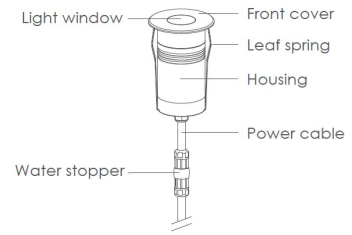


# ATLANT



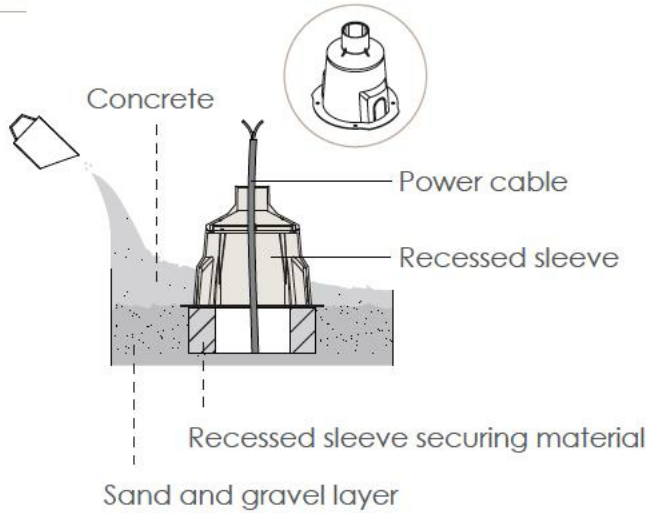
**Data Sheet:**

Input Voltage (V): 110-277  
 IK 07 / 08 / 09

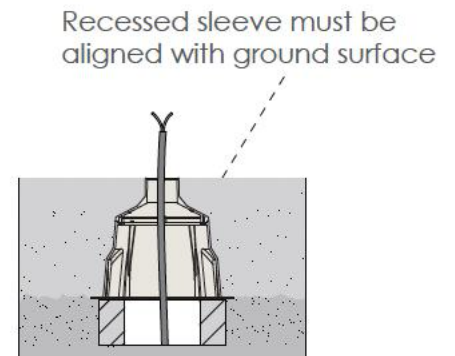


**Installation steps**

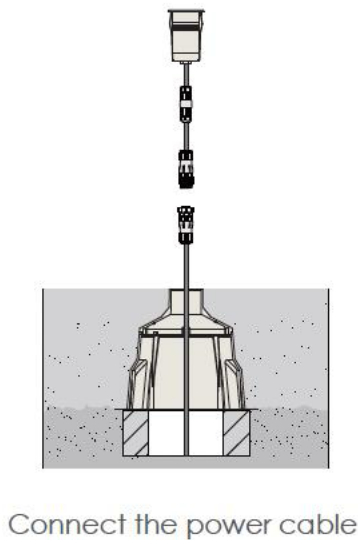
**Step 1**



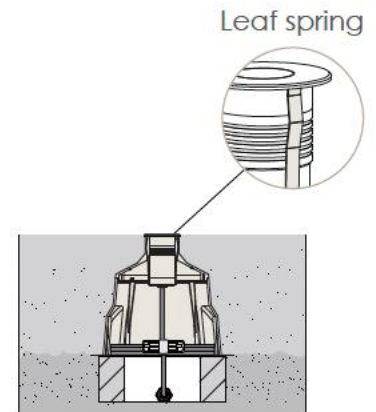
**Step 2**



**Step 3**



**Step 4**



P.2

[sales@gordonbullard.com](mailto:sales@gordonbullard.com)  
[www.bullardbollards.com](http://www.bullardbollards.com)  
 1 877-964-4646

991 South Gull Lake Dr.  
 Richland, MI 49083  
 USA

