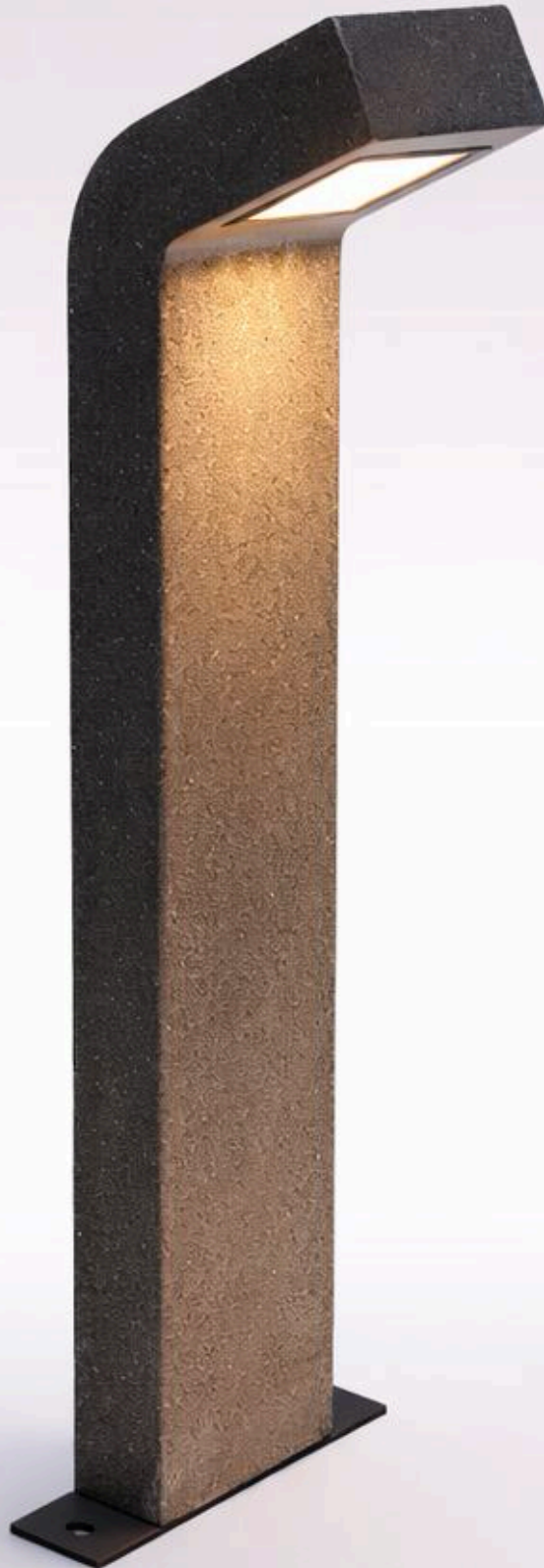




**BULLARD
BOLLARDS**
Think Bollard Think Bullard

NOVIS
BB-1033-BL





**BULLARD
BOLLARDS**
Think Bullard Think Bullard

**CODE:
BB-1033-BL**

FIXTURE TYPE: _____

PROJECT NAME: _____



GENERAL INFORMATION:

The Novix bollard by Bullard Outdoor offers a distinctive “7” shape with a 10W LED module, designed to blend durability and energy efficiency. Built from robust cement and rated IP65 for high corrosion and compression resistance, this bollard is ideal for gardens, parks, pathways, and villa settings. Supporting multiple dimming options, including 1-10V, DMX512, RDM, and non-dimmable modes, it comes in two heights (17.7” and 27.55”) and a variety of CCT (2700K–6000K) and beam angles (24°, 36°, 45°). This versatile design provides effective illumination while remaining simple to install.

FIXTURE TYPE:

Bollard

LIGHTING:

LED

LED

VOLTAGE:

110-277V



MATERIAL:

Corrosion-resistant cement

IP:

IP 65

IP65

THINK BOLLARD - THINK BULLARD

sales@gordonbullard.com

www.bullardbollards.com

1-877-964-4646



991 South Gull Lake Dr

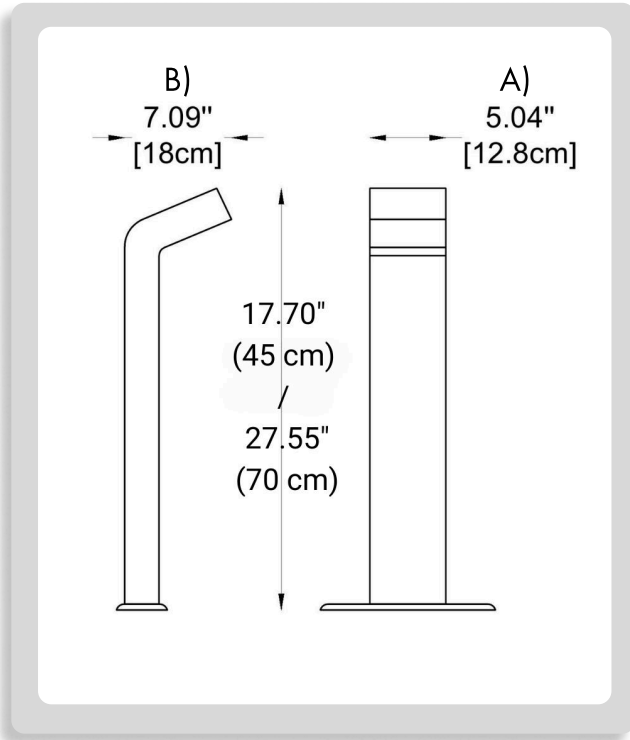
Richland, MI 49083

USA



FIXTURE TYPE: _____

PROJECT NAME: _____



HOW TO ORDER:

CODE:

Example:
CODE: BB-1033-BL-H45-B24-K30-C80-DIM

BB-1033-BL-H45-
B24-K30-C80-DIM

1 DIMENSIONS:

A) Length - L: 5.04" (13 cm)
B) Width - W: 7.10" (18 cm)

2 HEIGHT:

-H45 H: 17.7" (45 cm)
-H70 H: 27.55" (70 cm)

3 LIGHT SOURCE:

LED / 10W / 325 lm

4 BEAM ANGLE:

-B24 24°
-B36 36°
-B45 45°

5 CCT:

-K30 3000K
-K40 4000K
-K50 5000K
-K60 6000K

6 CRI:

-C80 CRI 80
-C90 CRI 90

7 DIMMING OPTIONS:

-NON NON-Dimmable
-DIM 1-10V

THINK BOLLARD - THINK BULLARD

sales@gordonbullard.com
www.bullardbollards.com
1-877-964-4646



991 South Gull Lake Dr
Richland, MI 49083
USA

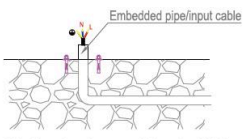


FIXTURE TYPE: _____

PROJECT NAME: _____

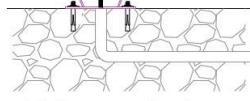
INSTALLATION INSTRUCTIONS:

1)



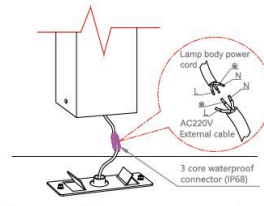
Drill the hole and install the expansion bolts.

2)



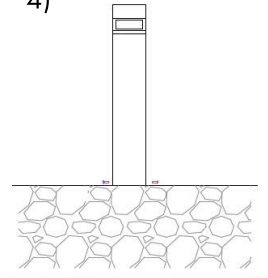
Install the mounting base with bolts.

3)



Connect the power supply cable to the lamp with a waterproof (IP68) connector and install the mounting base in.

4)



Install the lamps in mounting base.

THINK BOLLARD - THINK BULLARD

sales@gordonbullard.com
www.bullardbollards.com
1-877-964-4646



991 South Gull Lake Dr
Richland, MI 49083
USA