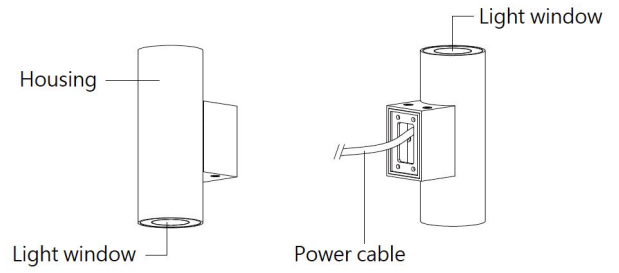


HEL CURT



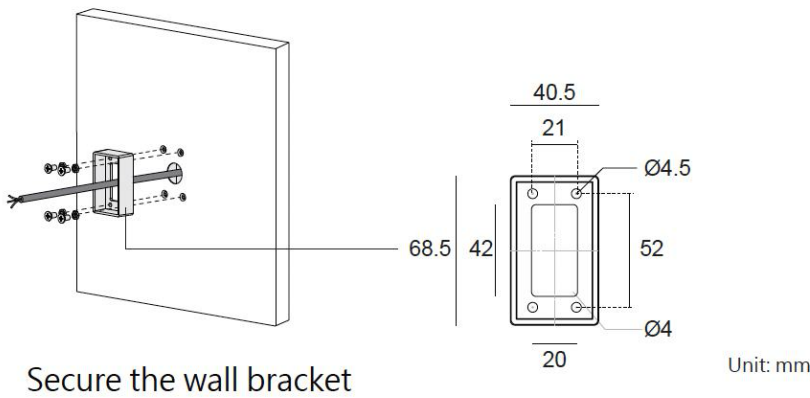
Data Sheet:

Input Voltage (V): 110-277
IK 05/IK 10



Installation steps

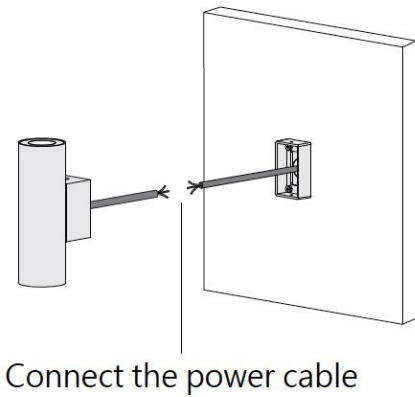
Step 1



Secure the wall bracket

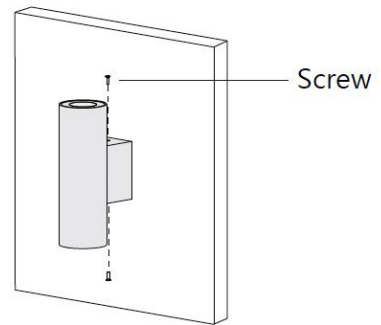
Unit: mm

Step 2



Connect the power cable

Step 3



Install the light fixture on the wall