



**BULLARD
BOLLARDS**
Think Bollard Think Bullard

SLICK WILLY URBANBEAM
BB-SLWLUB-CL





**BULLARD
BOLLARDS**
Think Bullard Think Bullard

**CODE:
BB-SLWLUB-CL**

FIXTURE TYPE: _____

PROJECT NAME: _____

-24V.3D1919.LOT



GENERAL INFORMATION:

Engineered for architectural excellence, this high-performance silicone neon LED delivers refined, shadow-free illumination with exceptional durability across demanding environments. Featuring a high-efficiency light source (LM80 certified) and a precision optical distribution design, it ensures perfectly uniform light with no visible dots or shadows; pure, continuous elegance. Crafted using an advanced three-color silicone extrusion process, the strip offers superior flexibility, clean cutting accuracy, and a sleek, dust-resistant finish. Compared to traditional PVC solutions, its premium silicone body provides enhanced resilience and a more sophisticated aesthetic. Built to endure, it resists UV exposure, corrosion, saline environments, acids, and alkalis, making it ideal for both indoor and outdoor architectural applications.

FIXTURE TYPE:

Arch LED Neon

MATERIAL:

Three-color silicone extrusion process

IP RATING:

IP67

IP67

IK RATING:

IK08

IK08

WARRANTY:

5 year warranty, high reliability

DRIVER POSITION:

Remote

MAIN FEATURES:

Light source: High luminous efficiency, LM80 proved.
Optical Design: Unique optical light distribution structure design.
Product Certification: UL, CE, ROHS, UKCA, CB
Working/Storage Temperature: Ta:-25~50°C / 0°C~60°C.
Product application: Signage lighting, Outdoor/indoor lighting, Architectural contour lighting.



THINK BOLLARD - THINK BULLARD

sales@gordonbullard.com
www.bullardbollards.com
1-877-964-4646

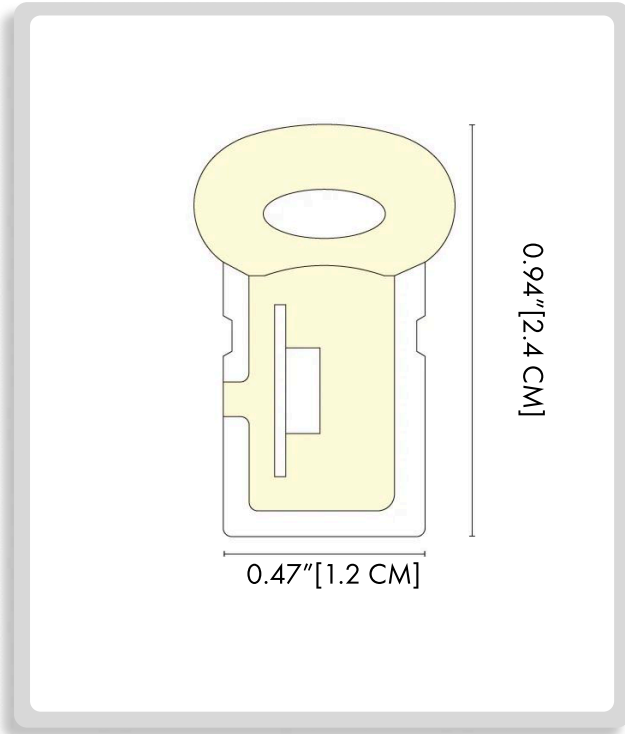


991 South Gull Lake Dr
Richland, MI 49083
USA



FIXTURE TYPE: _____

PROJECT NAME: _____



HOW TO ORDER:

CODE:

Example:
CODE: BB-SLWLUB-CL-24V.3D1919.LOT-22K9-ASUB-0001

BB-SLWLUB-
CL-24V.3D1919.LOT-
22K9-ASUB-0001

1 DIMENSIONS:

A) Length - L: 0.47" (1.2 cm)
B) Height - H: 0.94" (2.4 cm)

2 LIGHT SOURCE:

	CCT	CRI	INPUT VOLTAGE	RATED CURRENT (A/m)	RATED POWER	MAXIMUM POWER	LUMENS
-22K9	2200K	>90	24	0.4 (0.12A/ft)	9.6 (2.93W/ft)	10.6 (3.23W/ft)	680(207/ft)
-27K9	2700 K						780(237/ft)
-30K9	3000 K						820(250/ft)
-40K9	4000 K						810(246/ft)
-50K9	5000K						
-RGB9	RGB	/	24	0.5 (0.15A/ft)	12 (3.66W/ft)	13.2 (4.02W/ft)	/
-27RG	RGB~2700K			0.63 (0.19A/ft)	15 4.57(W/ft)	17.25 5.26(W/ft)	140 (42LM/ft)
-30RG	RGB~3000K	150 (45LM/ft)					
-35RG	RGB~3500K	150 (45LM/ft)					
-50RG	RGB~5000K	150 (45LM/ft)					

STANDARD LENGTH	REMARK
5000mm (16.4ft) 10000mm (32.81ft)	7LED/50mm
5000mm (16.4ft)	7LED/83.3mm
5000mm (16.4ft)	7LED/125mm (IC:UCS512C1L) 8Pixels/m

THINK BOLLARD - THINK BULLARD

sales@gordonbullard.com
www.bullardbollards.com
1-877-964-4646



991 South Gull Lake Dr
Richland, MI 49083
USA



FIXTURE TYPE: _____

PROJECT NAME: _____

HOW TO ORDER:

CODE:

Example:
CODE: BB-SLWLUB-CL-24V.3D1515.LTE-22K9-ASTE-0001

BB-SLWLUB-
CL-24V.3D1515.LTE-
22K9-ASTE-0001

3 ACCESSORIES:

ASUB-0001



ASUB-WS-0012



ASUB-NNT1615A



CP3UB-GBA



ASUB-NNT1615A-25



CR3UB-GBA



ASUB-NNT1615GH0-EC



ASUB-NNT1615P-1000



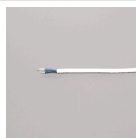
ASUB-NNT1615P-25



ASUB-PG-0002



ASUB-WS-0012



THINK BOLLARD - THINK BULLARD

sales@gordonbullard.com

www.bullardbollards.com

1-877-964-4646



991 South Gull Lake Dr

Richland, MI 49083

USA