



**BULLARD
BOLLARDS**
Think Bollard Think Bullard

BUNNY GLOW 2L 115 (INGROUND LUMINAIRES)



FIXTURE TYPE: _____

PROJECT NAME: _____

NOTES:



GENERAL INFORMATION:

The BUNNY GLOW 2L 115 by Bullard Bollards is a robust ground-recessed luminaire engineered for grazing illumination of pathways and outdoor areas, combining high oxidation-resistant aluminum with a tempered ultra-transparent glass diffuser for excellent light transmission. It features Water-Lock anti-moisture cable system and silicone sealing to ensure long-lasting outdoor performance and environmental protection. Designed to be drive-over capable at low speeds and resistant to weather and UV exposure, it delivers subtle yet effective architectural lighting for landscape and pathway applications.

FIXTURE TYPE:

Inground Luminaires

LIGHTING:

LED

INPUT VOLTAGE:

110-277V

MATERIAL:

Die-cast aluminum EN AB 44100 highly resistant to oxidation

GASKETS:

Silicone gaskets

EXTERNAL SCREWS:

Stainless steel A4-70 treated with highly antioxidant water-repellent lubricating solution

FINISH AND PROTECTION:

Primary treatment with nanoceramic conversion. Secondary treatment by application of protective epoxy primer. Protective finish with textured polyester powder coating, resistant to weathering and UV rays

ROUGH IN HOUSING:

Polypropylene to be ordered separately

DRAINAGE:

30cm of gravel or draining material.
Alternatively, draining piping system.

STATIC LOAD:

5511.6 lb - Drive-over max 10km/h

CRI:

>80

THINK BOLLARD - THINK BULLARD

sales@gordonbullard.com

www.bullardbollards.com

1-877-964-4646



991 South Gull Lake Dr

Richland, MI 49083

USA

FIXTURE TYPE: _____

PROJECT NAME: _____

NOTES:



DRIVER POSITION:

Integral

IP RATING:

IP67

APPLINCE CLASS:

I

CUTOUT SHAPE:

Round

CABLE ENTRY:

Nylon cable gland M16 Ø 0.5/1cm

CABLE TYPE:

H05RN-F 3x0.01 cm²

WATER-LOCK SYSTEM:

Cable gland with anti-moisture suction system, preventing the capillary rise of water or condensation along the cable and ensuring maximum protection of the luminaire body and electrical components.

CORD LENGTH:

100 cm

LIGHT DISTRIBUTION:

90° Other

BEAM DIRECTIONABILITY:

Fixed optics

DIFFUSER MATERIAL/FINISH/TEMPERATURE:

Tempered glass 0.3cm /Transparent - extra clear/ < 313.15 K (< 40 °C)

WARRANTY:

LED lighting products are warranted for 5 years.

MAIN FEATURES:

- Wide range of finishes
- Evocative / Functional design
- Resistant to vandalism
- Operating Temperature: 253.15 K ÷ 308.15 K (-20 °C ÷ +35 °C)
- Increased temperature to 323.15 K (50°C)
- * upon request previous specific components and test



THINK BOLLARD - THINK BULLARD

sales@gordonbullard.com
www.bullardbollards.com
1-877-964-4646

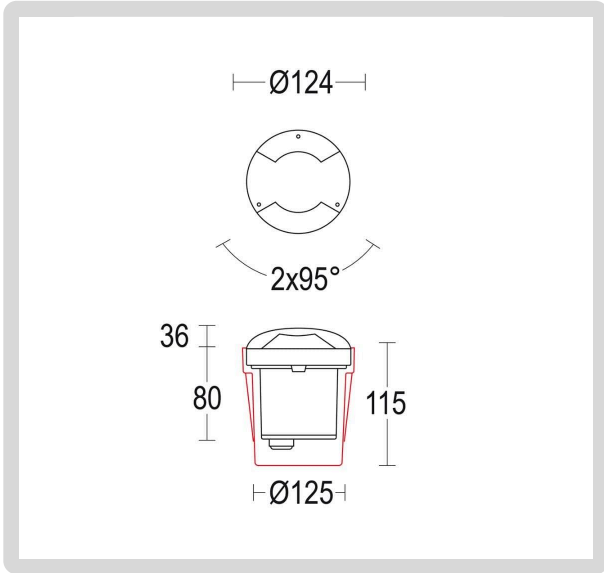


991 South Gull Lake Dr
Richland, MI 49083
USA



FIXTURE TYPE: _____

PROJECT NAME: _____



HOW TO ORDER:

CODE:

Example:
CODE: BB-6732.00AHXT-GH-K30-DIM-01-AC010-AC-018

BB-6732.00AHXT-GH-K30-DIM-01-AC010-AC-018

1 DIMENSIONS:

Diameter - Ø: 4.88" (12.4 cm)
Recessed hole diameter - Ø: 4.92" (12.5 cm)
Recessed depth - h: 4.53" (11.5 cm)

2 BEAM ANGLE:

90°

3 LIGHT SOURCE:

LED / 2 x 3W / 110-277 V - 60 Hz

4 CCT&LUMENS:

-K30 3000K = 275 lm
-K40 4000K = 288 lm

5 DIMMING OPTIONS:

-NON NON-Dimmable
-DIM 0-10V
-CAS Casambi
-LT Lutron
-DAL Dali

6 FINISH OPTIONS:

-01 White matt
-02 Black matt
-05 Anthracite grey matt
-19 Light grey matt
-26 Bronze
-45 Corten matt
-62 Antique grey matt
-65 Blue matt
-80 Sand matt
-83 Green matt



THINK BOLLARD - THINK BULLARD

sales@gordonbullard.com
www.bullardbollards.com
1-877-964-4646



991 South Gull Lake Dr
Richland, MI 49083
USA

FIXTURE TYPE: _____

PROJECT NAME: _____

HOW TO ORDER:

CODE:

Example:
CODE: BB-6732.00AHXT-GH-K30-DIM-01-AC010-AC-018

BB-6732.00AHXT-GH-K30-DIM-01-AC010-AC-018

7 ACCESSORIES:

-AC010

SPD 10kV IP66 C I - Serie



-AC204

IP 68 fast connector 4P

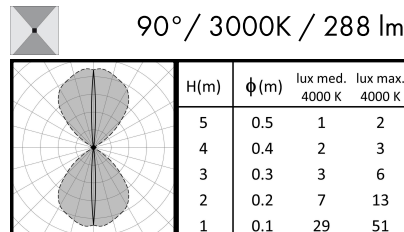
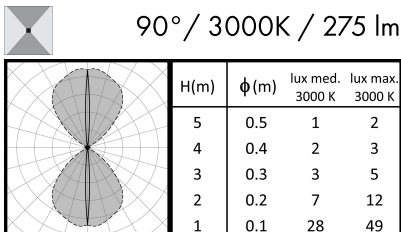


-AC018

Rough-in housing (polypropylene) Bunny GLOW 2L 115



8 PHOTOMETRY:



THINK BOLLARD - THINK BULLARD

sales@gordonbullard.com
www.bullardbollards.com
1-877-964-4646



991 South Gull Lake Dr
Richland, MI 49083
USA