



**BULLARD
BOLLARDS**
Think Bollard Think Bullard

INSTALLATION INSTRUCTION
01/28/2026

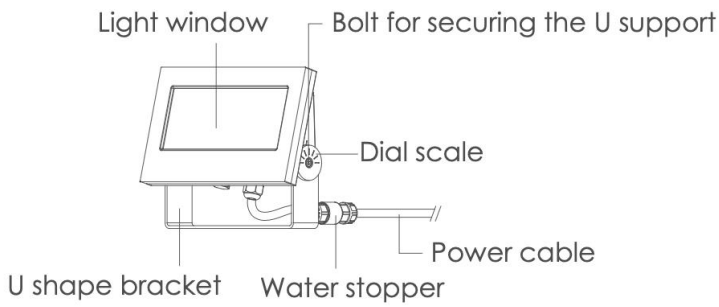
CASTOR





Exterior details

Luminaire



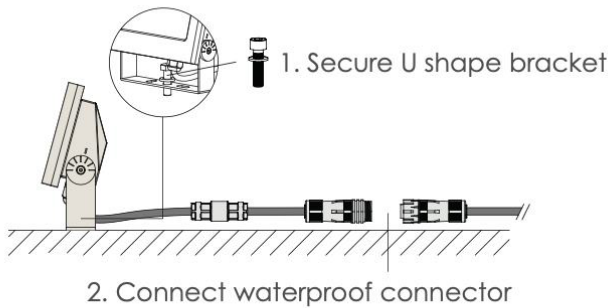
Data Sheet:

Input Voltage (V): 110-277

IK: 06

Installation steps

Step 1



Step 2

